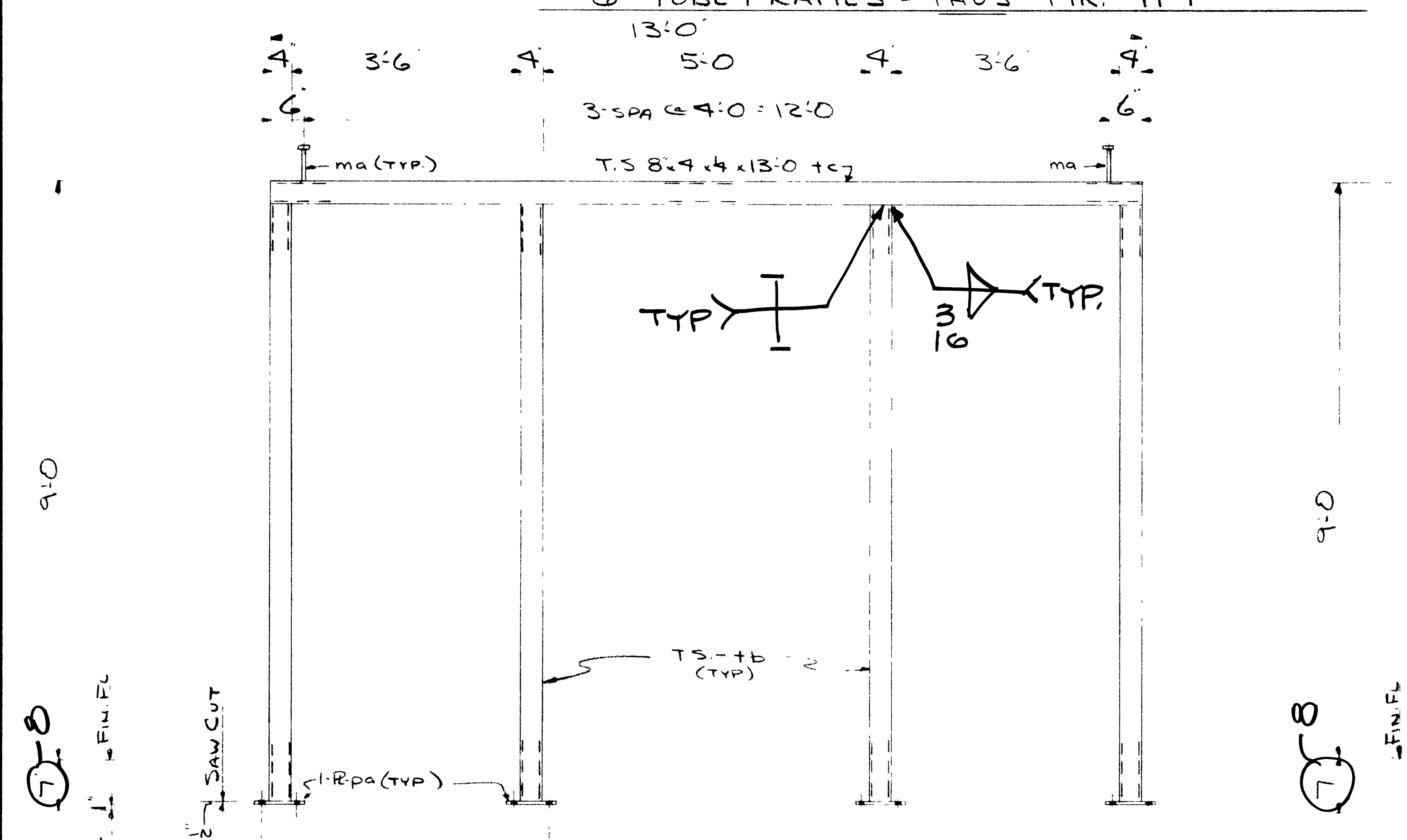
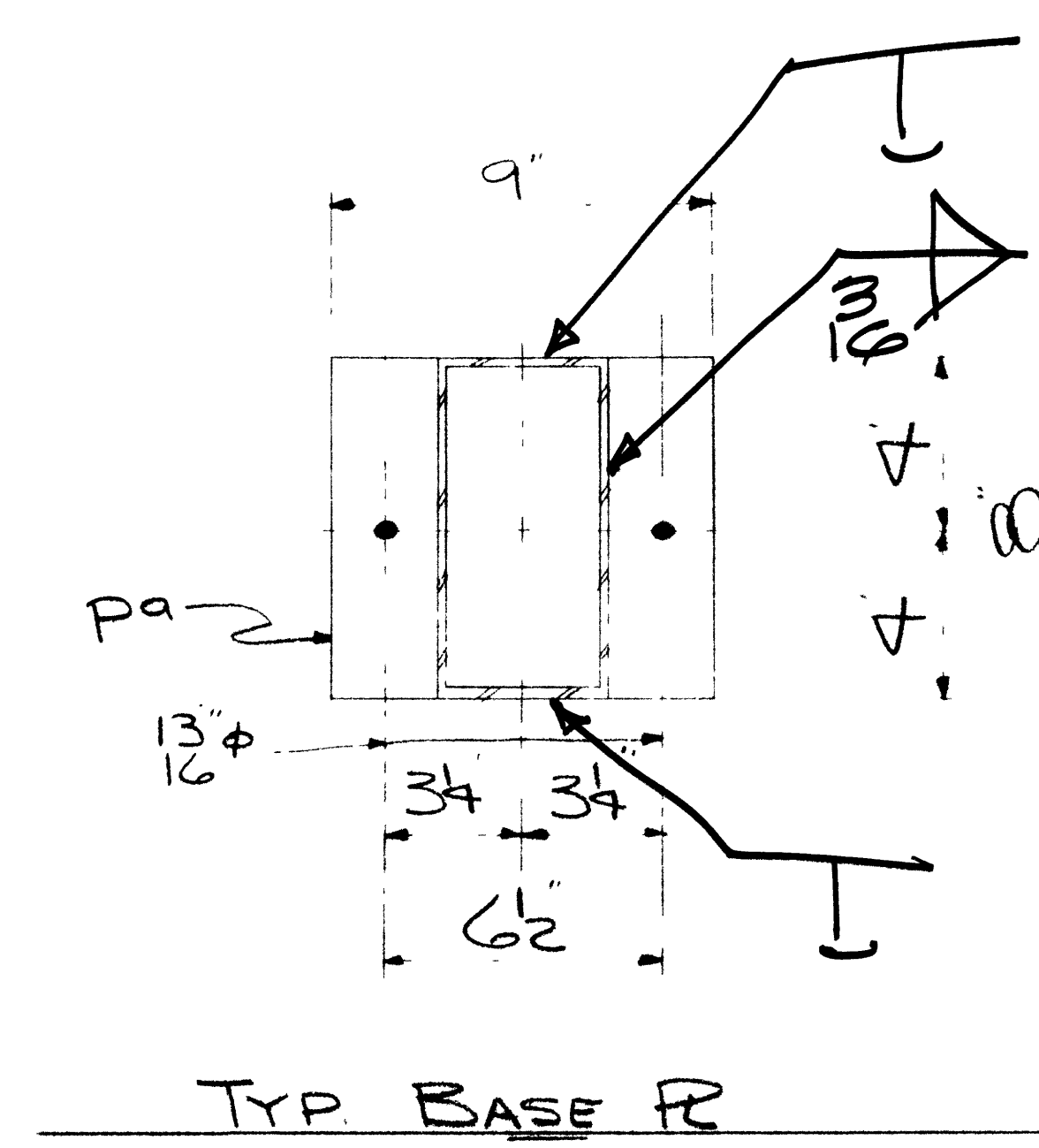
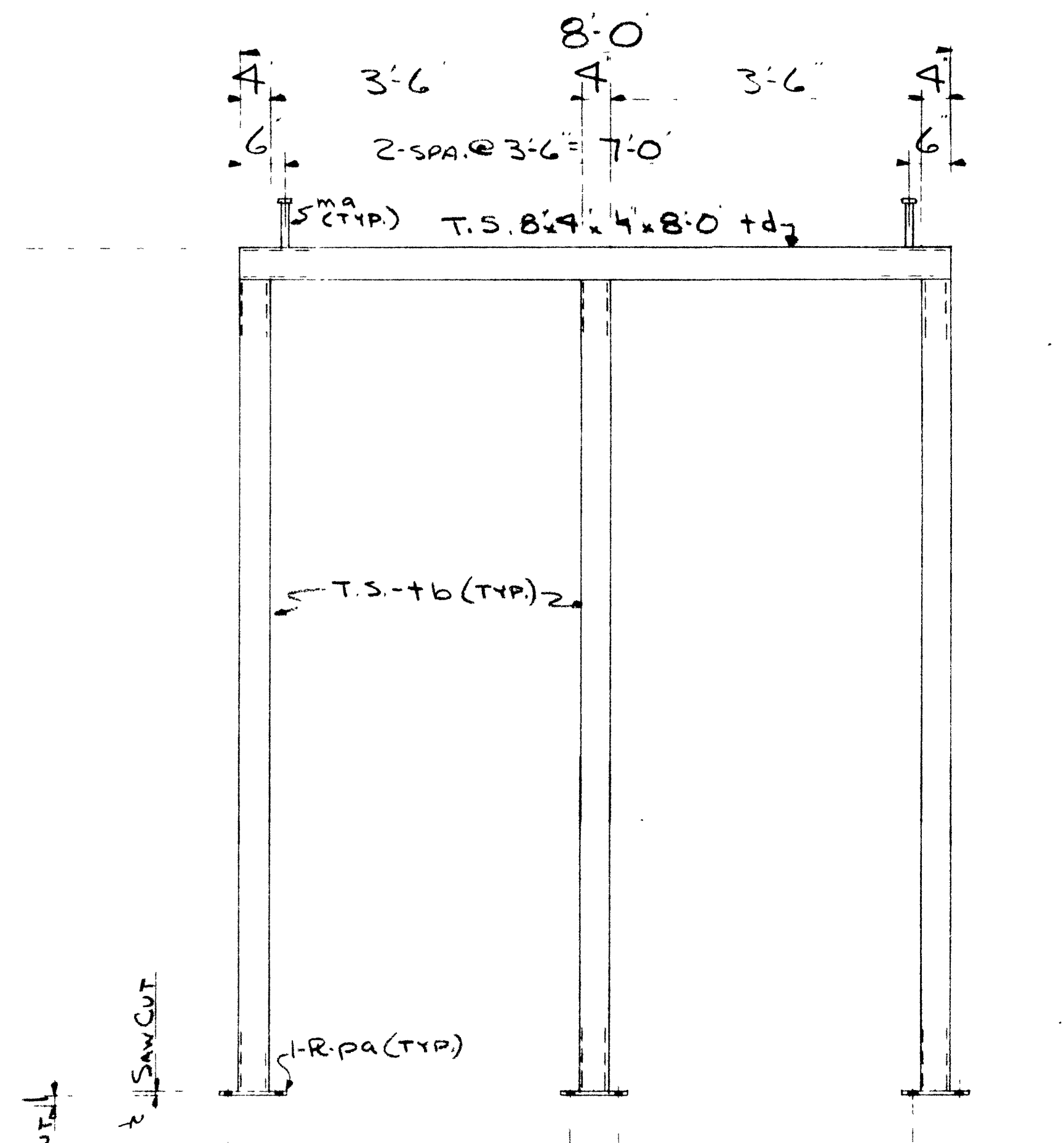


6-TUBE FRAMES - THUS - MK. IF1



2-TUBE FRAMES - IF2



4-TUBE FRAMES - IF3

NO SHOP SPLICES

FOR APPROVAL ONLY
 DATE: 10/18/75
 BY: Eric Townson

ITEM NO.	PIECES SHIPPED		PIECES FABRICATED					
	NO. PCS.	DATE	MARK	NO. PCS.	SIZE	LENGTH	REMARKS	WEIGHTS
1			IF1	6	TUBE FRAMES			
2			ta	6	T.S. 8x4x4	21'-0"		
3			tb	36	"DO"	9'-2 1/2"	?	
4			pa	36	R. 8x2	0'-9"		
5			ma	36	2d STUDS	0'-6"		
6								
7								
8			IF2	2	TUBE FRAMES			
9			tc	2	T.S. 8x4x4	13'-0"		
10			tb	8				
11			pa	8				
12			ma	10				
13								
14								
15			IF3	4	TUBE FRAMES			
16			td	4	T.S. 8x4x4	8'-0"		
17			tb	12				
18			pa	12				
19			ma	12				
20								
21								
22								
23								
24								
25								
26								
27								
28								
29								
30								
31								
32								
33								
34								
35								
36								
37								
38								
39								
40								
41								
42								
43								
44								
45								
46								
47								
48								
49								
50								
51								
52								
53								
54								

THIS DRAWING IS:
 APPROVED
 APPROVED AS NOTED
 RETURNED FOR CORRECTION
 RESUBMIT

APPROVAL IS FOR COMPLIANCE WITH CON. TRACT DOCUMENTS ONLY. CONTRACTOR IS RESPONSIBLE FOR FABRICATION AND CO. ORIGINATOR OF THE WORK.
 BY: BME DATE: OCT 18 1975
 BOWEN & FEINBERG ASSOCIATES
 CONSULTING ENGINEERS

WE ASSUME NO RESPONSIBILITY FOR ERRORS WHEN MATERIAL IS FABRICATED IN ACCORDANCE WITH APPROVED DRAWING.
 BACKCHARGES WILL NOT BE ACCEPTED UNLESS OUR CONSENT IS GIVEN IN ADVANCE IN WRITING.

TRACO STEEL INC. SANDY SPRINGS, S.C. 29677	
PROJECT: ANDREWS KINDERGARDEN	DATE:
LOCATION: ANDREWS, N.C.	REVISED:
DWG. COVERS: TUBE FRAMES	APPROVAL: 10-1-75
ARCHT. OR ENGR.: ERIC TOWNSON	FIELD USE:
CONTRACTOR: BUNCOMBE CONSTR.	SHOP:
SHOP NOTES:	SHOP PAINT: TT-P-86E
	HOLES U. N. 12φ
DRWN. BY W.S.T.	JOB NO.
CHK. BY:	DRWG. NO. F-1