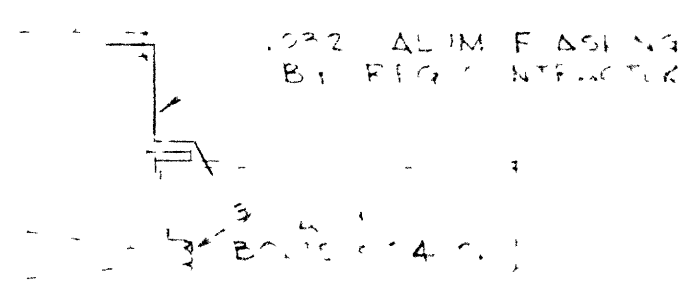
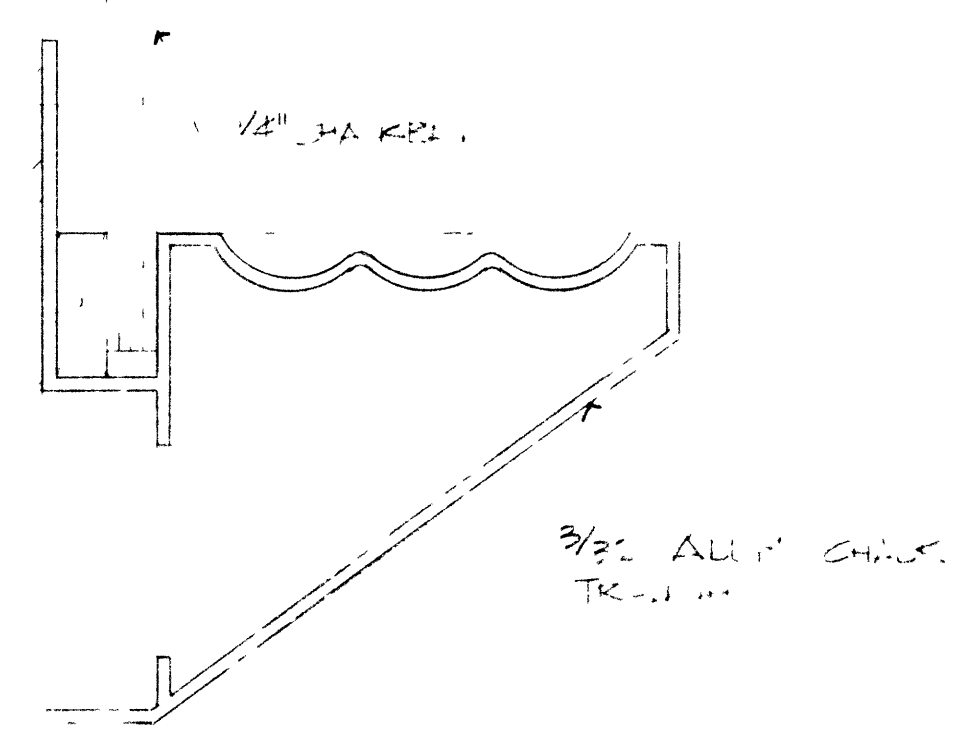


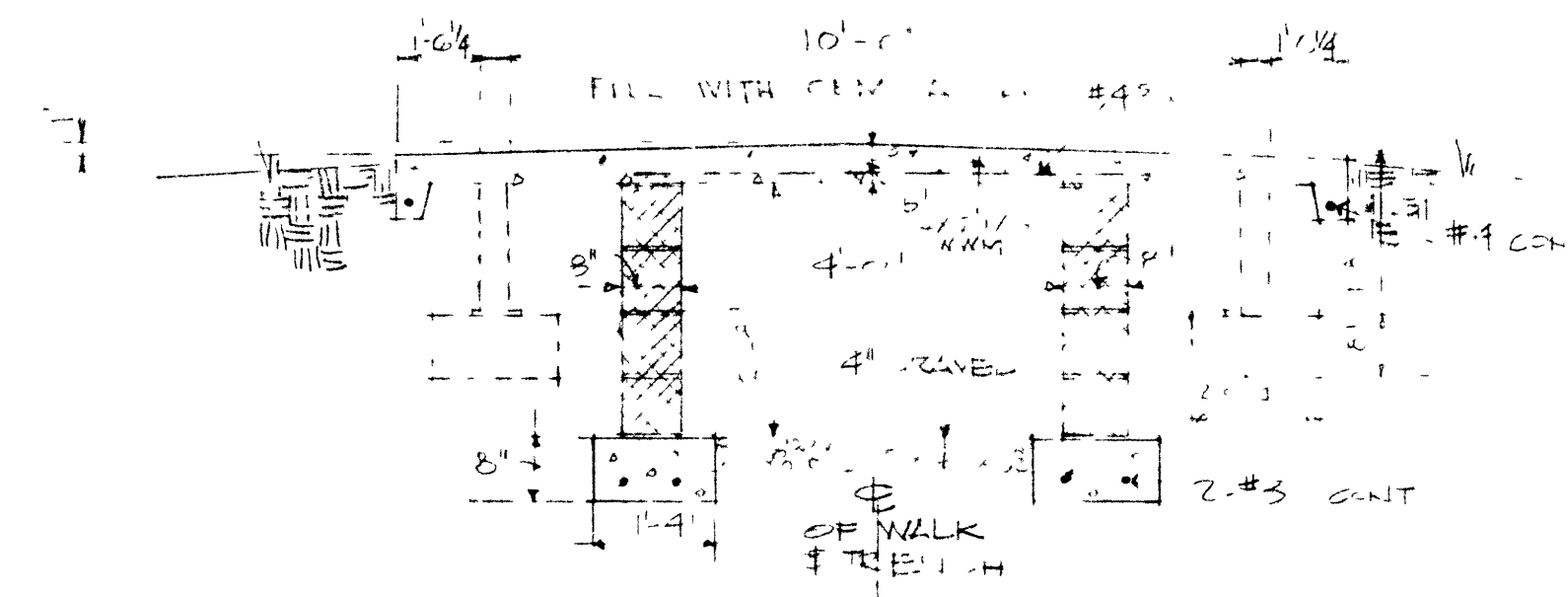
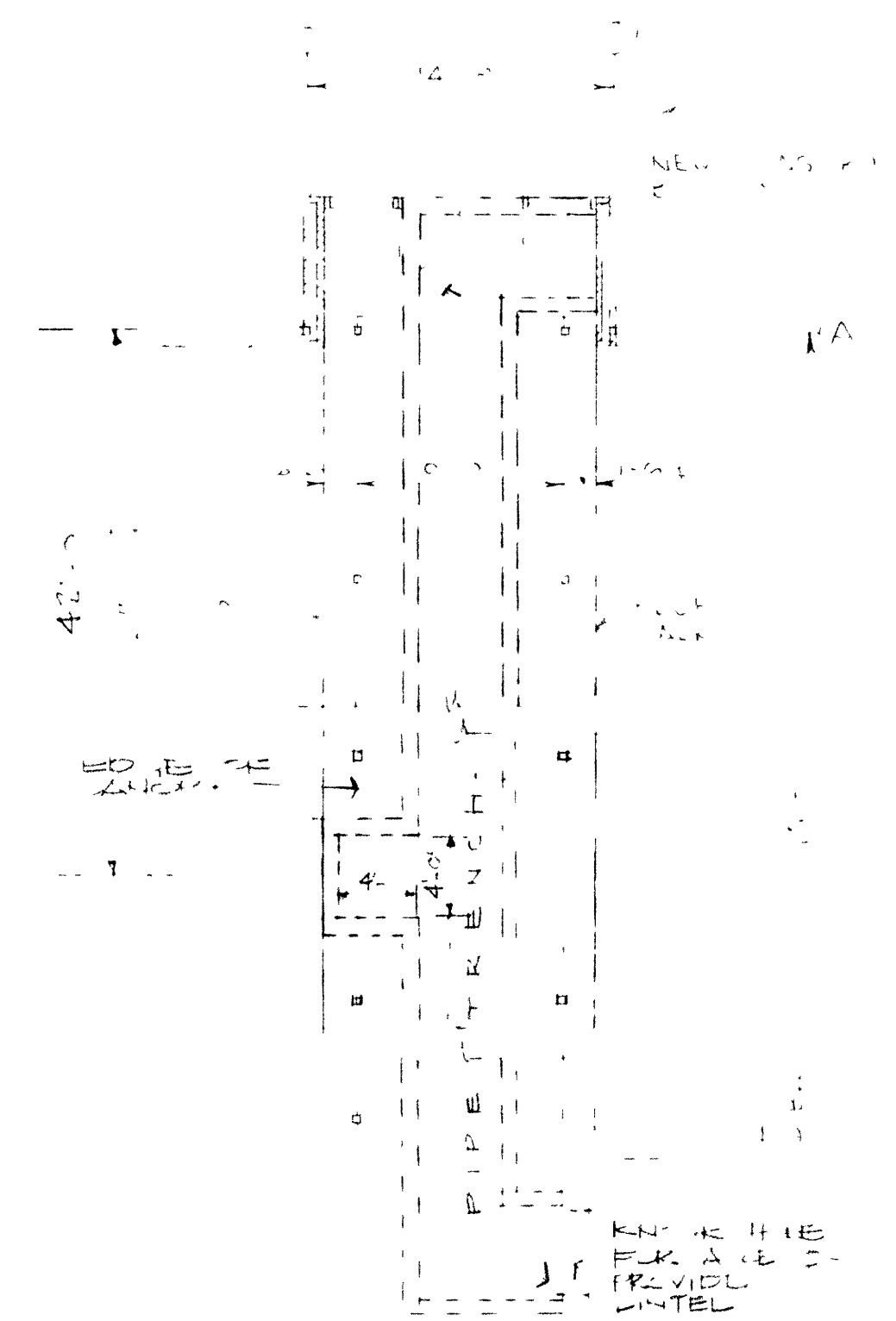
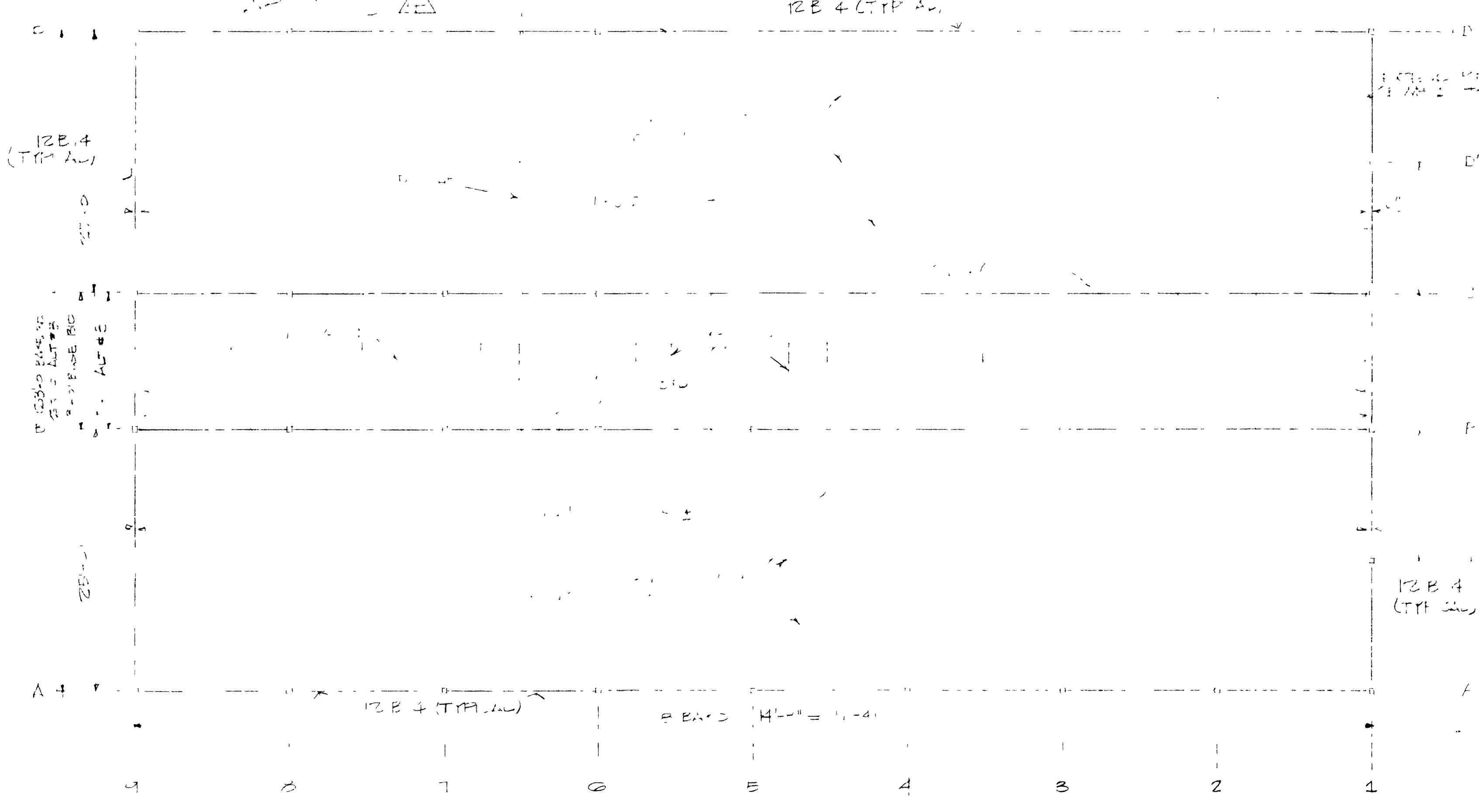
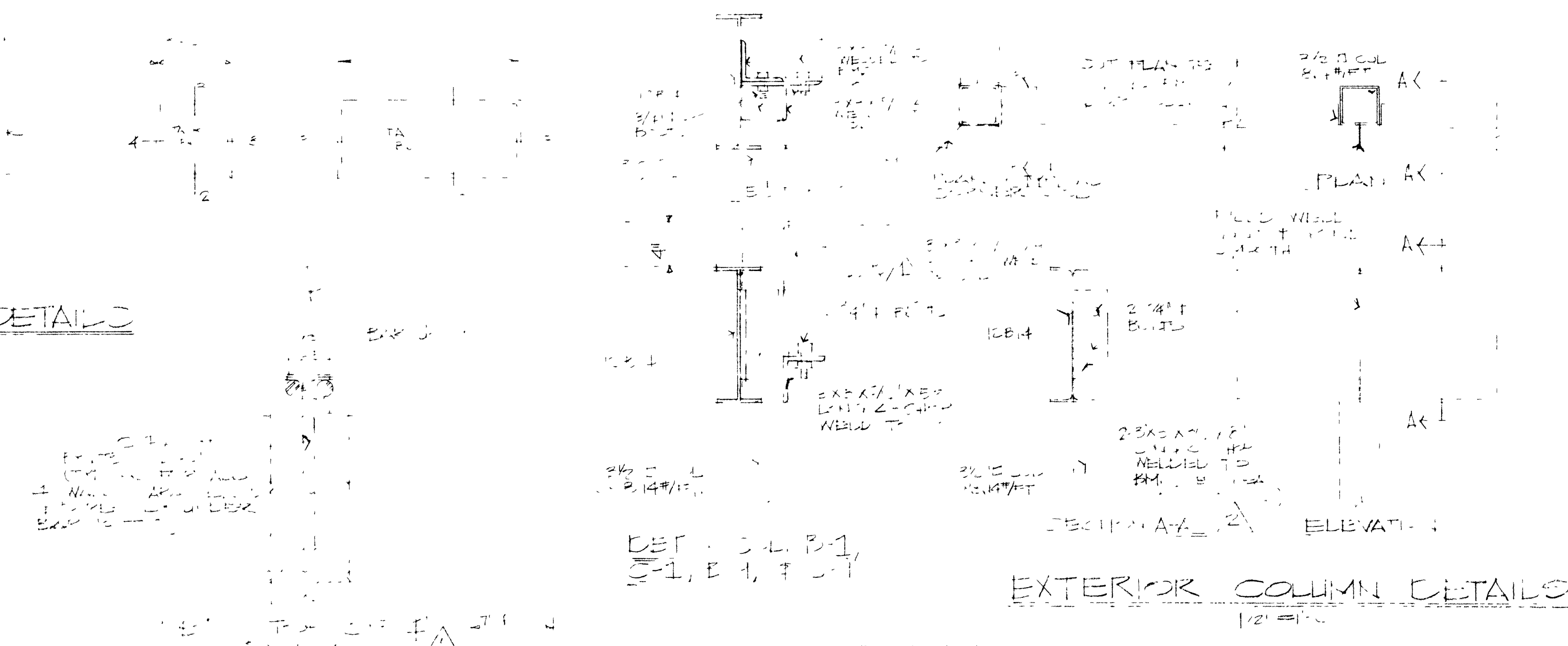
CHALKBOARD DETAILS



CANOPY DETAIL



2



SECTION THRU COVERED WALK & PIPE TRENCH

STUCK CAPLET DETAILS (ALT #4)

RECEIVED
JUL 15 1968
DIVISION OF SCHOOL PLANNING

A CLASSROOM ADDITION TO 200 1120		DATE
ANDREWS HIGH SCHOOL		6-11-68
ANDREWS, NORTH CAROLINA		SHEET NO
DRAWN BY FRAMING & MISC. DETAILS		7
JAMES L. PADGETT, AIA, ARCHITECT		of 7
SUITE 405 NORTHWESTERN BANK BUILDING		
ASHEVILLE, NORTH CAROLINA 28807		