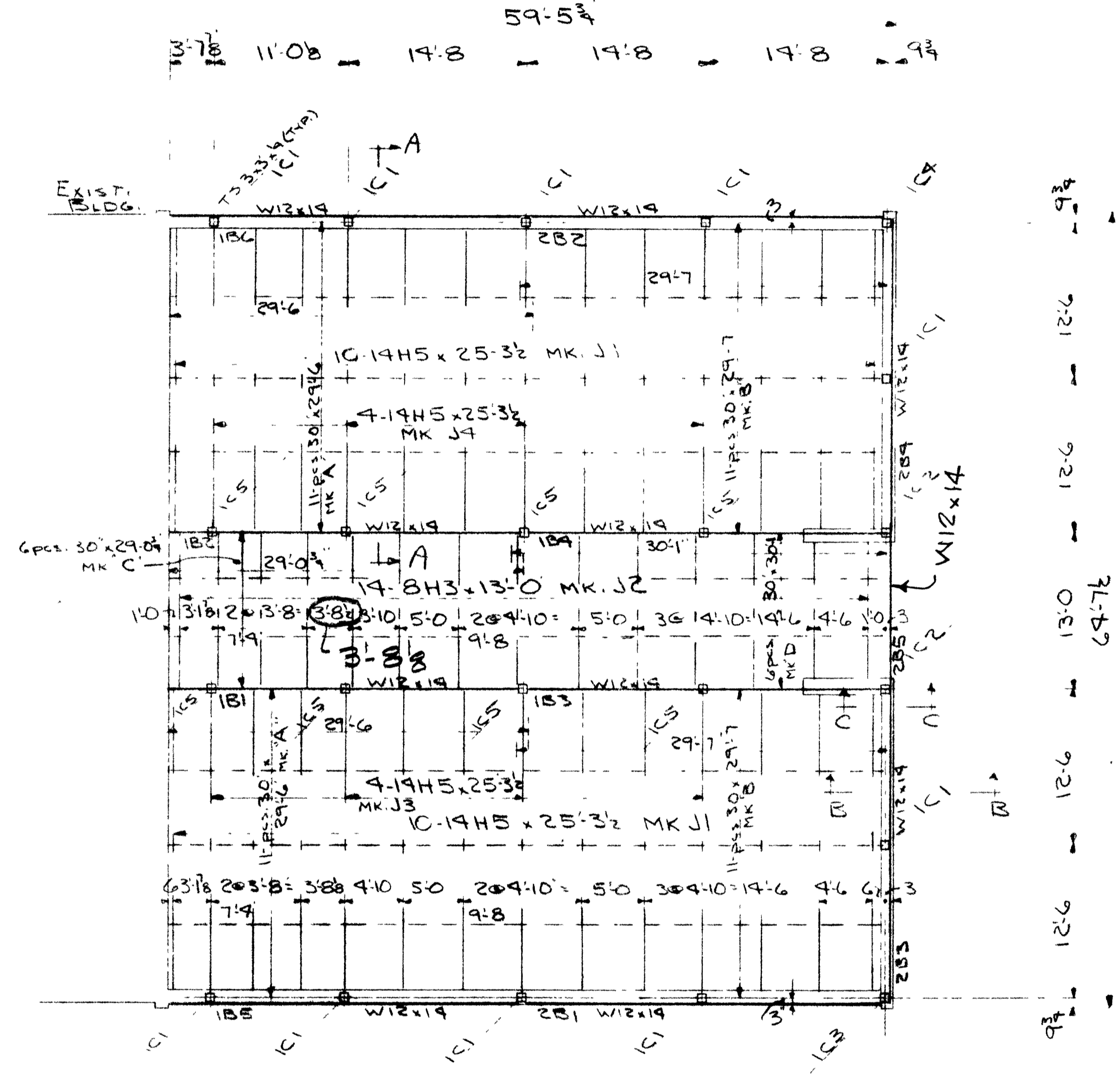
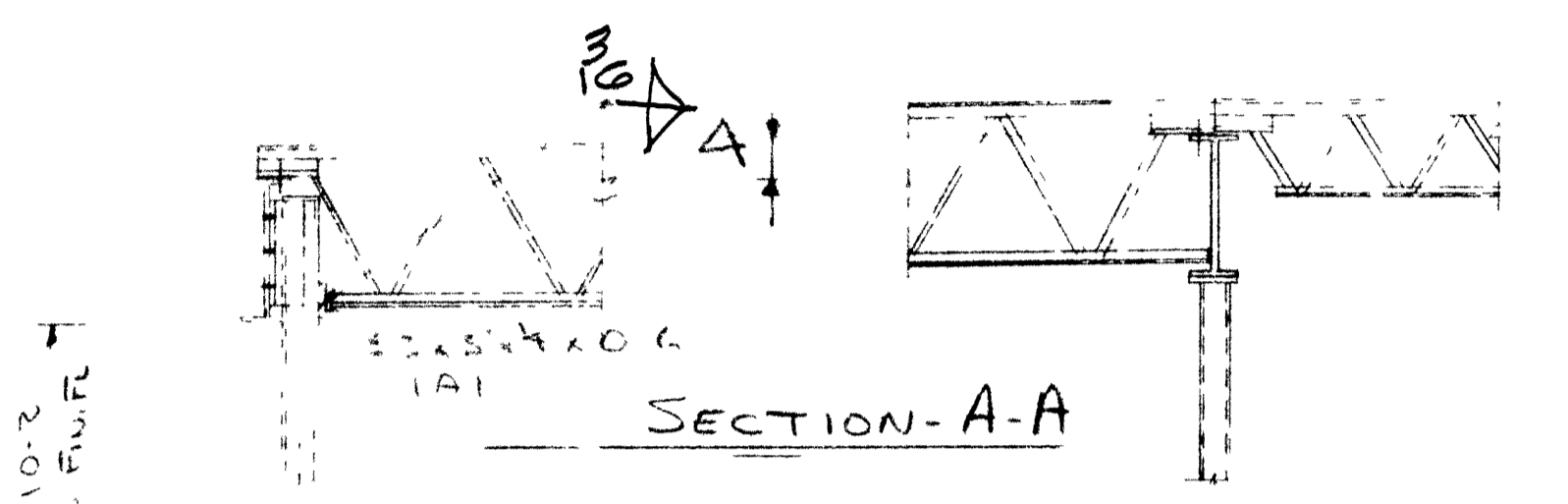


NO.	LENGTH	MARK
22	30'	29-6
22	30'	29-7
22	30'	29-0
22	30'	30-1

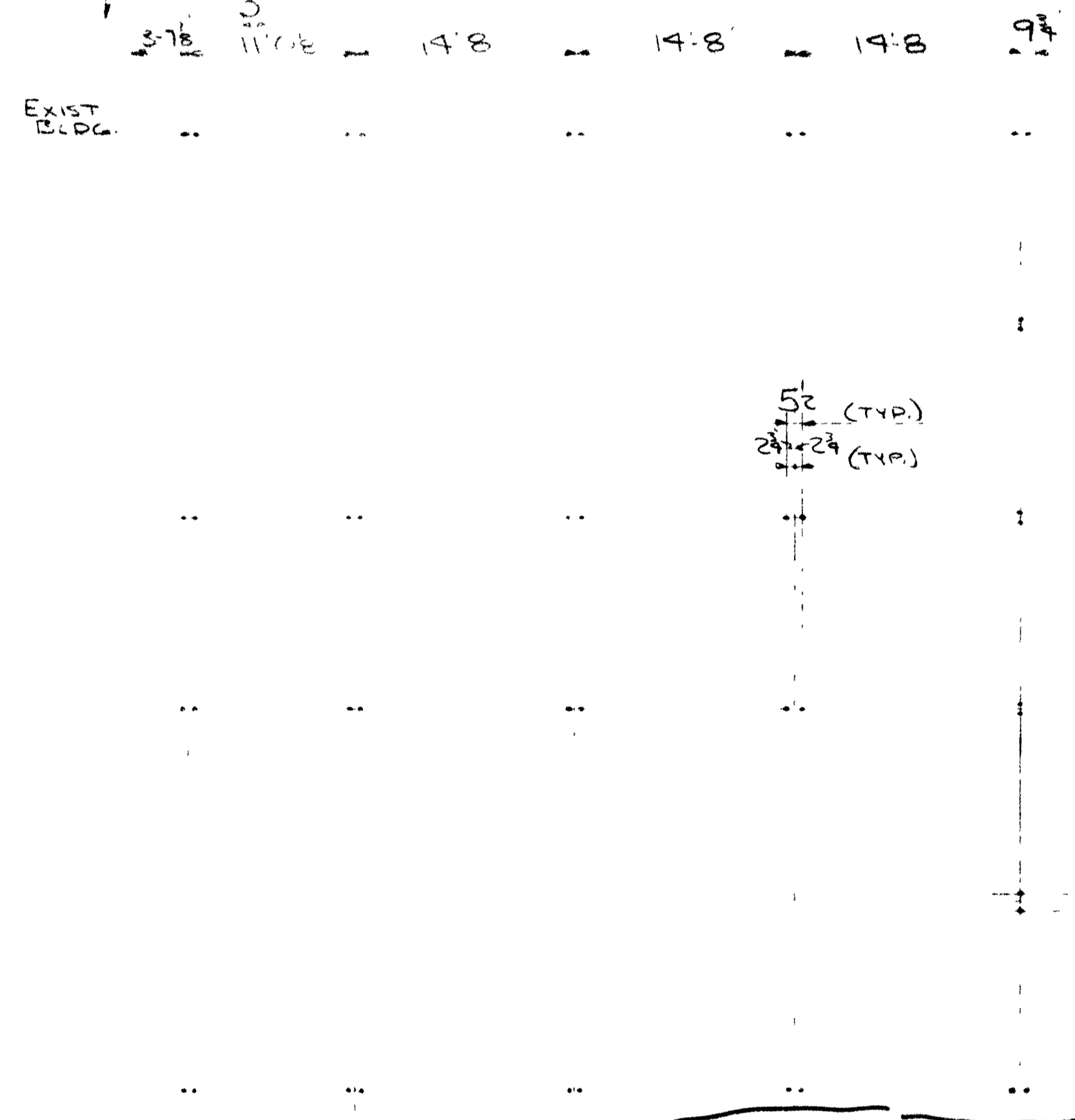
MATERIAL O.K., SUBMIT COMPLETE MANUFACTURERS WELDING INSTRUCTIONS FOR APPROVAL. SEE SPECS.



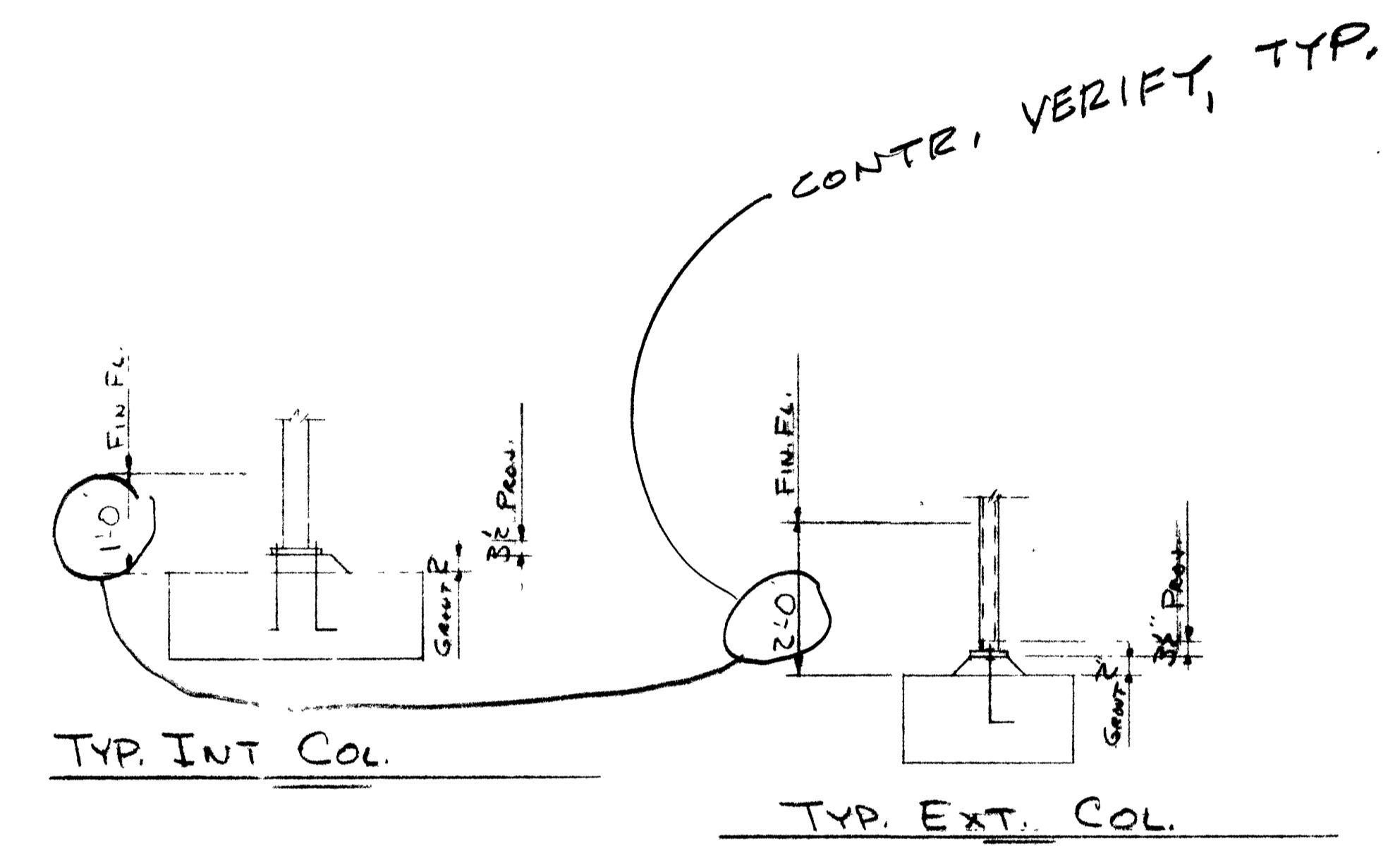
ROOF FRAMING PLAN



SECTION-A-A



ANCHOR BOLT PLAN

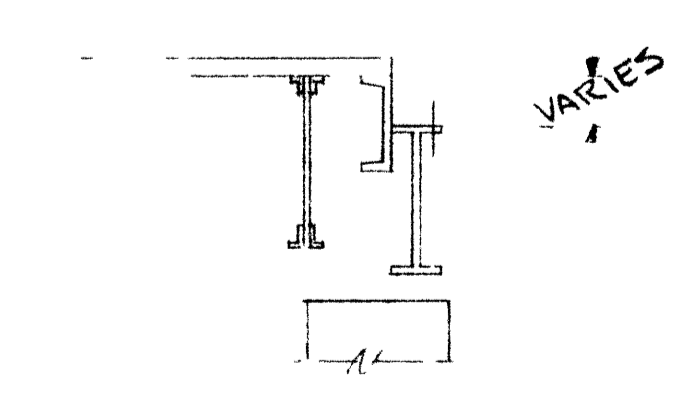


TYP. INT. COL.

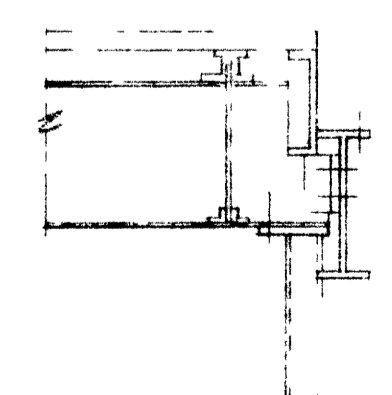
TYP. EXT. COL.

THIS DRAWING IS:  
 APPROVED  
 APPROVED AS NOTED  
 RETURNED FOR CORRECTION  
 RESUBMIT

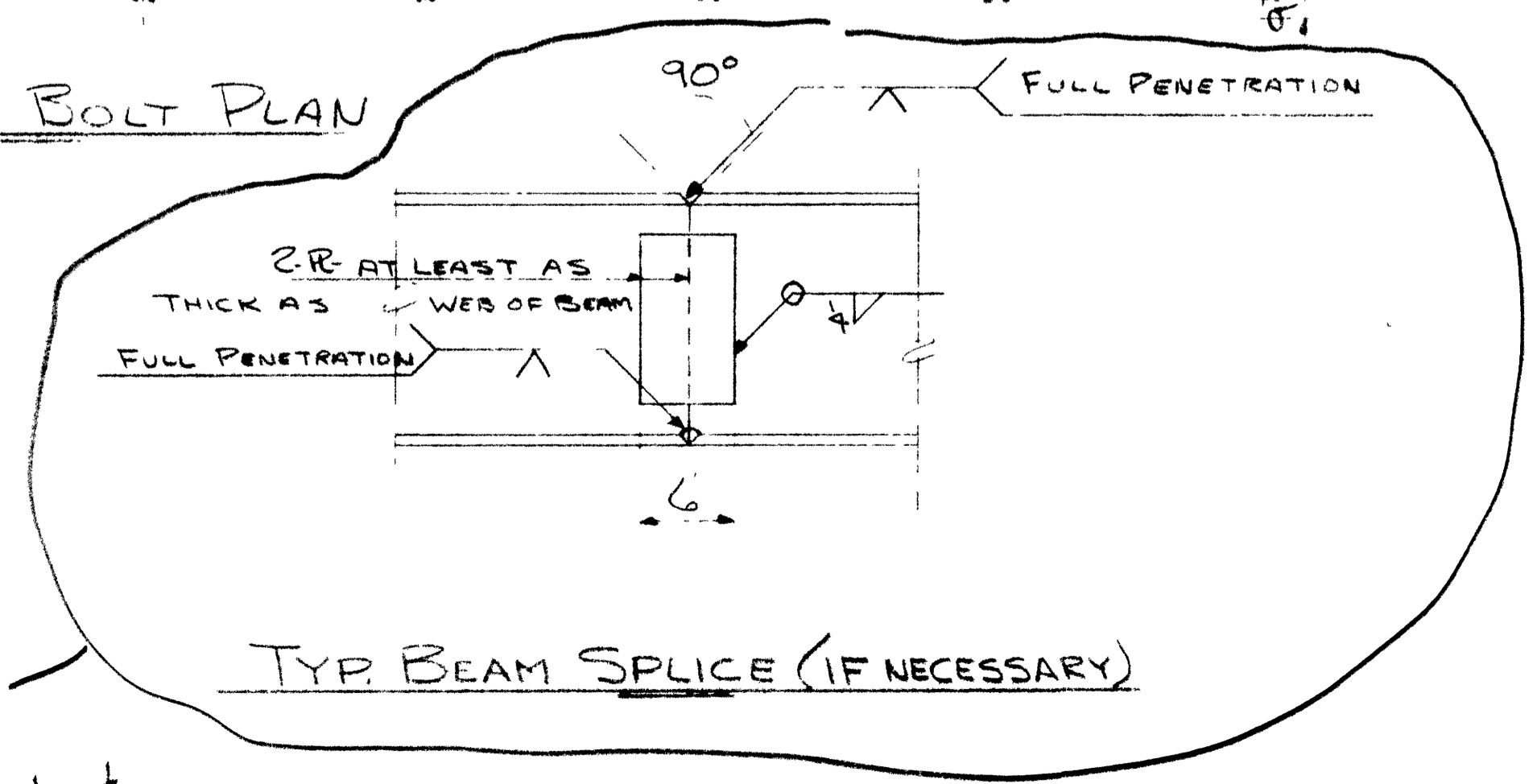
APPROVAL IS FOR COMPLIANCE WITH CON. TRACT DOCUMENTS ONLY. CONTRACTOR IS RESPONSIBLE FOR FABRICATION AND CO. ORDINATION OF THE WORK.  
 BY **BME** DATE **OCT 11 1975**  
**BOWEN & FEINBERG ASSOCIATES**  
 CONSULTING ENGINEERS



SECTION-B-B



SECTION-C-C



TYP. BEAM SPLICE (IF NECESSARY)

NOT ACCEPTABLE! INDICATE EACH SPLICE LOCATION & SUBMIT FOR APPROVAL

FOR APPROVAL ONLY

WE ASSUME NO RESPONSIBILITY FOR ERRORS WHEN MATERIAL IS FABRICATED IN ACCORDANCE WITH APPROVED DRAWING.  
 BACKCHARGES WILL NOT BE ACCEPTED UNLESS OUR CONSENT IS GIVEN IN ADVANCE IN WRITING.

TRACO STEEL INC.			
SANDY SPRINGS, S.C. 29677			
PROJECT: <b>ANDREWS JR. HIGH ADDITION</b>	DATE:		
LOCATION: <b>ANDREWS, N.C.</b>	REVISED:		
DWG. COVERS: <b>ROOF FRAMING PLAN</b>	APPROVAL: <b>1-29-75</b>		
ARCHT. OR ENGR.: <b>ERIC TOWNSON</b>	FIELD USE:		
CONTRACTOR: <b>BUNCOMBE CONSTR.</b>	SHOP:		
SHOP NOTES:	SHOP PAINT:	HOLE SIZE:	
DRWN. BY <b>W.S.T.</b>	JOB NO.:	DRWG. NO.:	
CHK. BY:	<b>9-1(6)</b>	<b>E-1</b>	