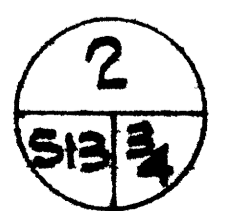
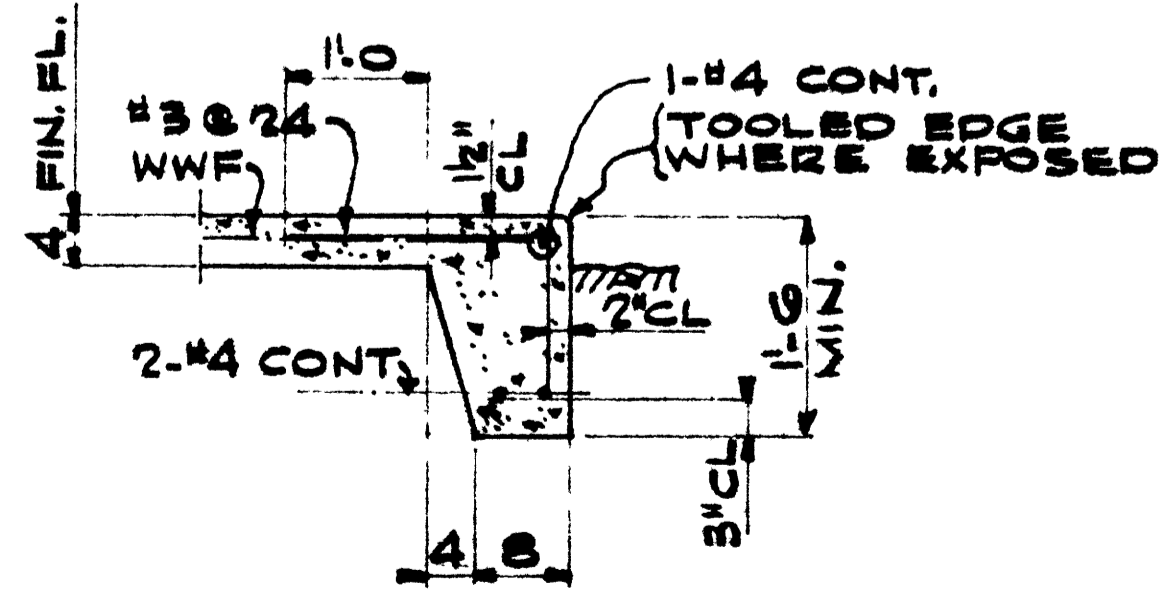
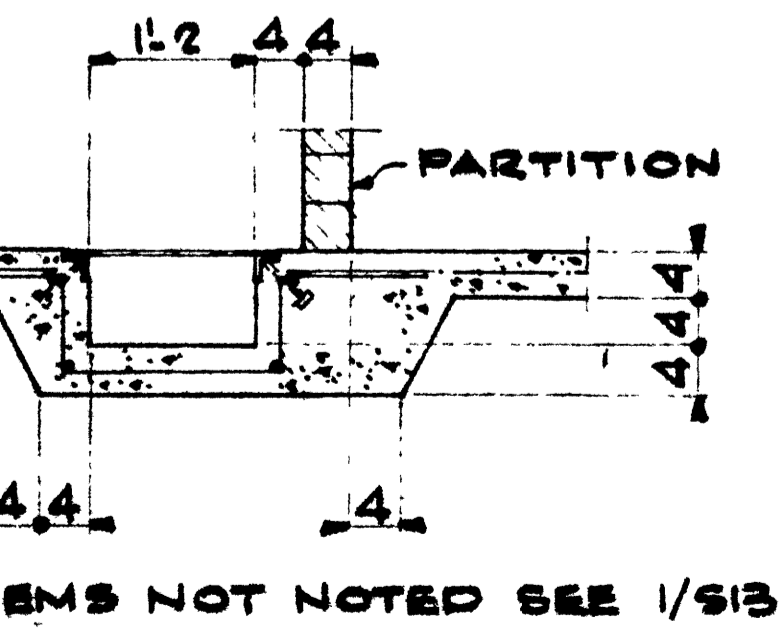


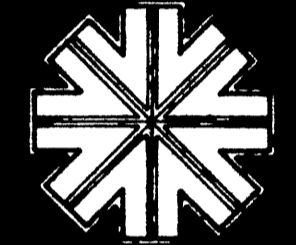
FOUNDATION PLAN • ANDREWS JUNIOR HIGH ADDITION
FIN. FL. EL 1007'0



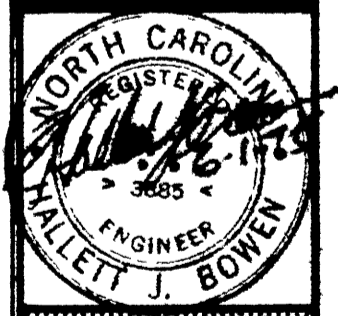
ANDREWS JR

DIVISION OF SCHOOL PLANNING
BOWEN & FEINBERG ASSOCIATES
CONSULTING ENGINEERS
P. O. BOX 8059
ASHEVILLE NORTH CAROLINA 28804

ERIC TOWNSON, A.I.A.
architect - murphy, n.c.



EDUCATIONAL UNIT
for the Cherokee County
Board of Education
Cherokee County, N.C.



DATE 6-1-75
DRAWN BMF
REVISED

200 1420
JUL 30 1975

sheet number
S13
of 24