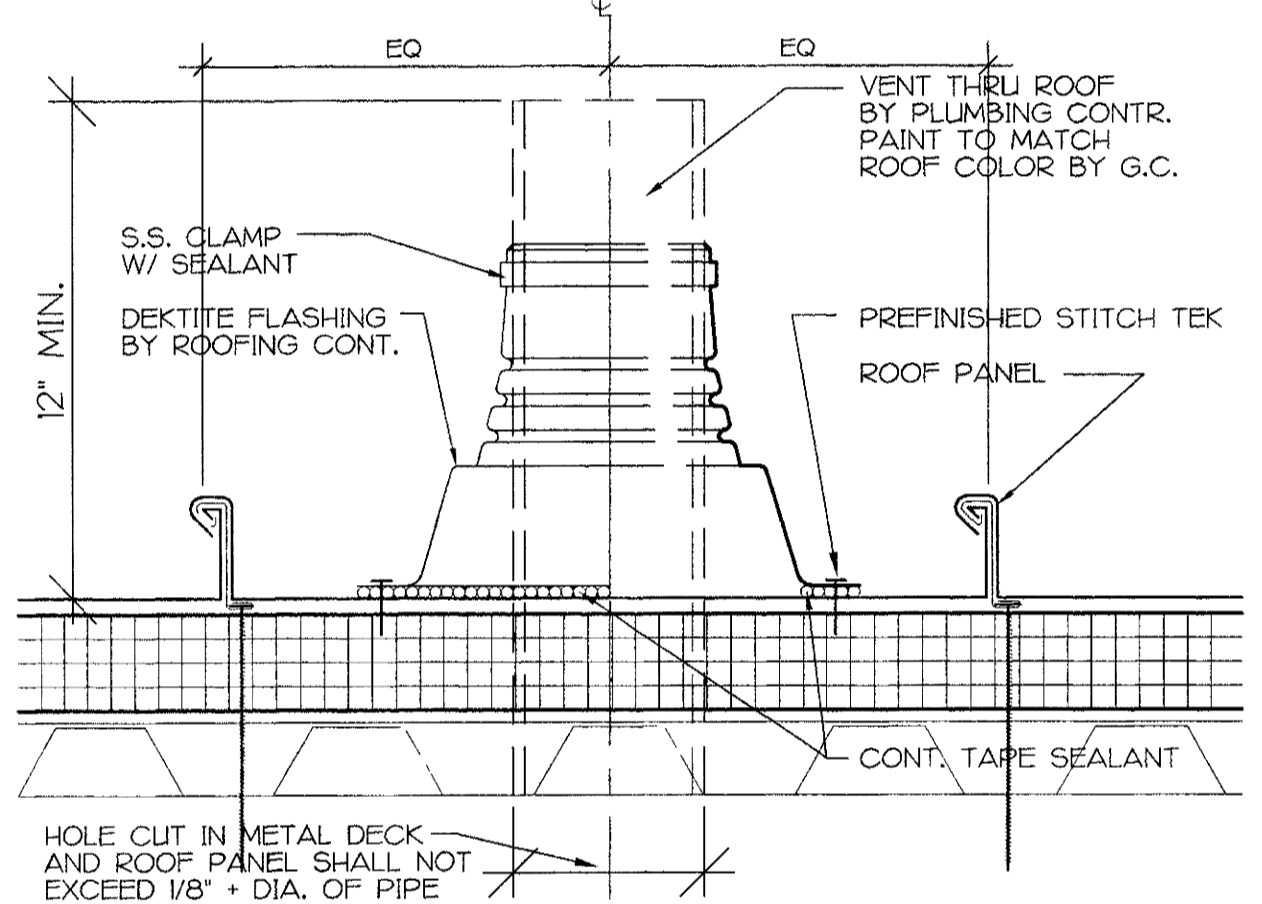
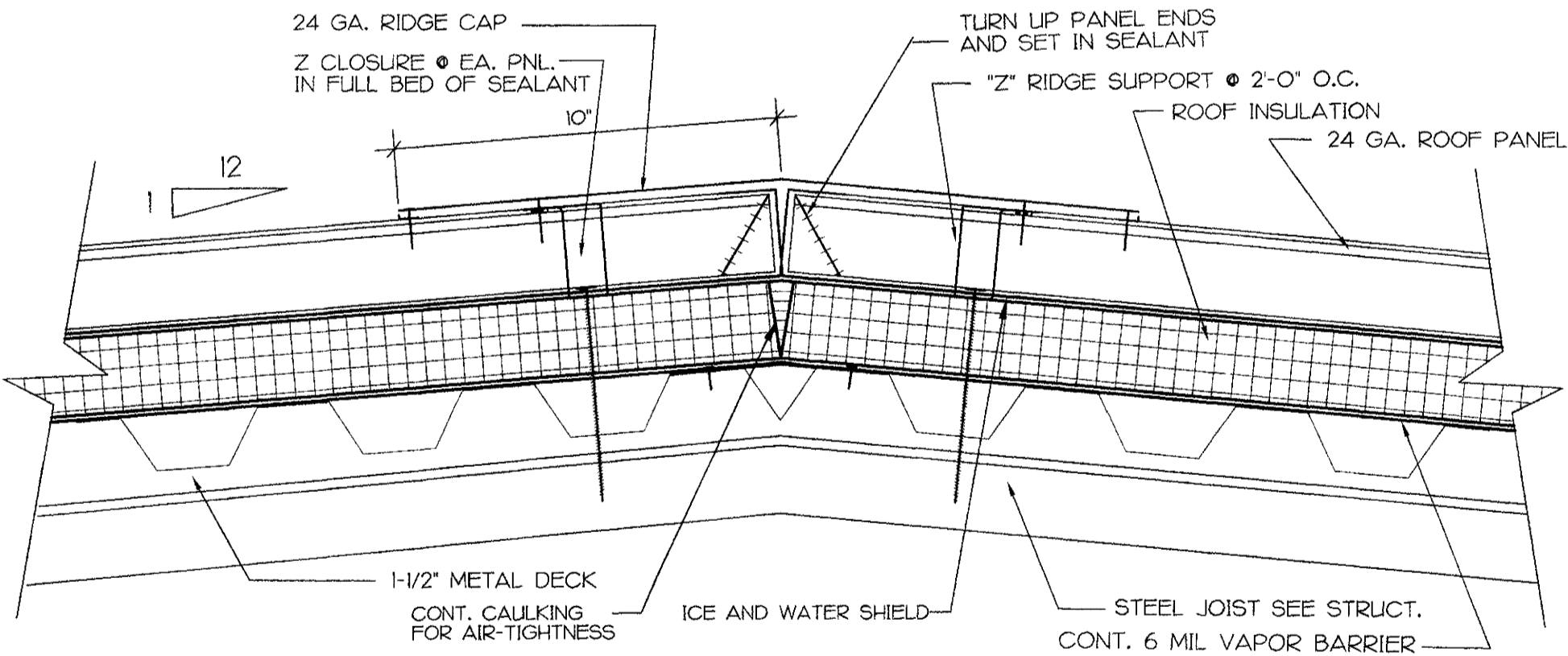


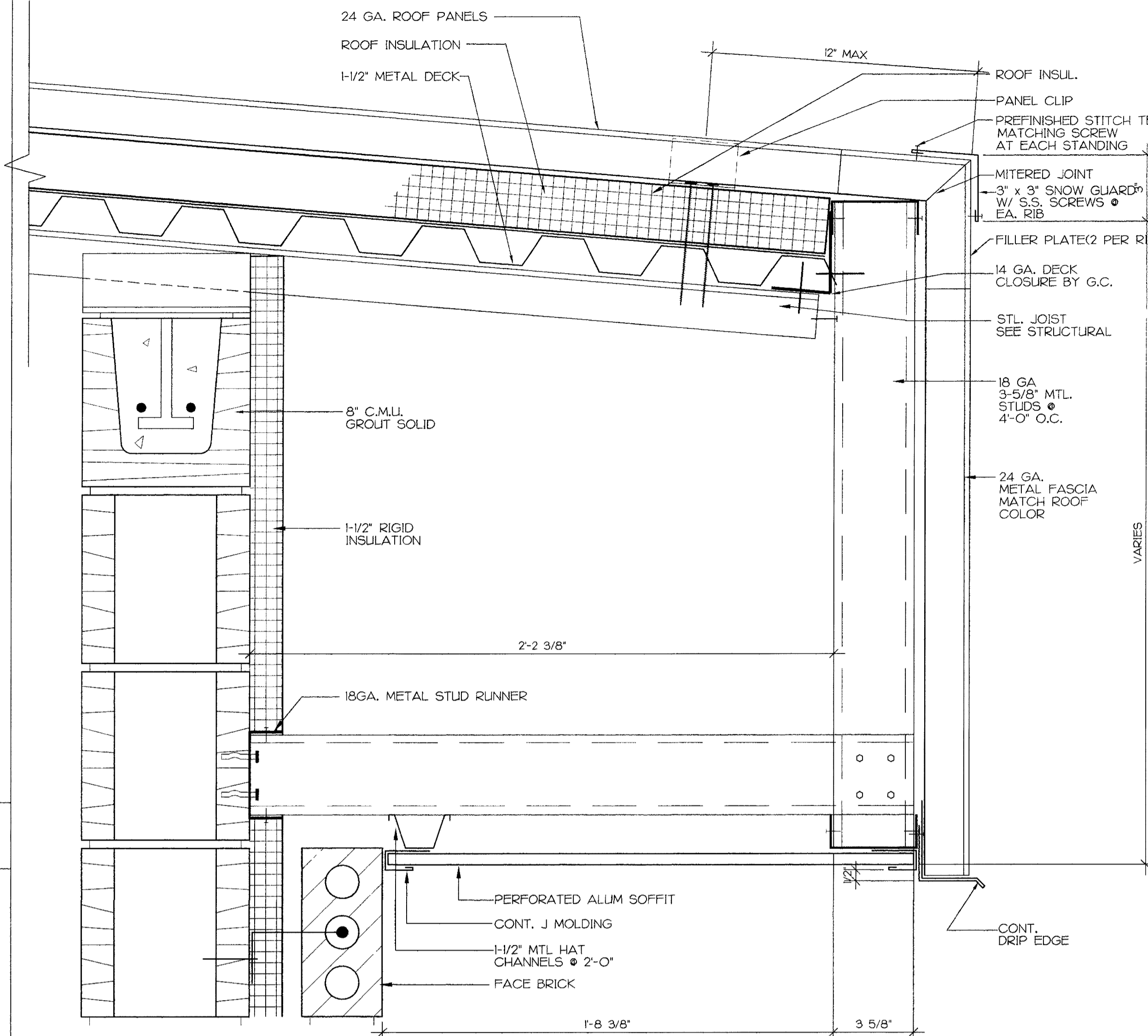
1 TYPICAL GABLE END FASCIA DETAIL
3'-1'-0"



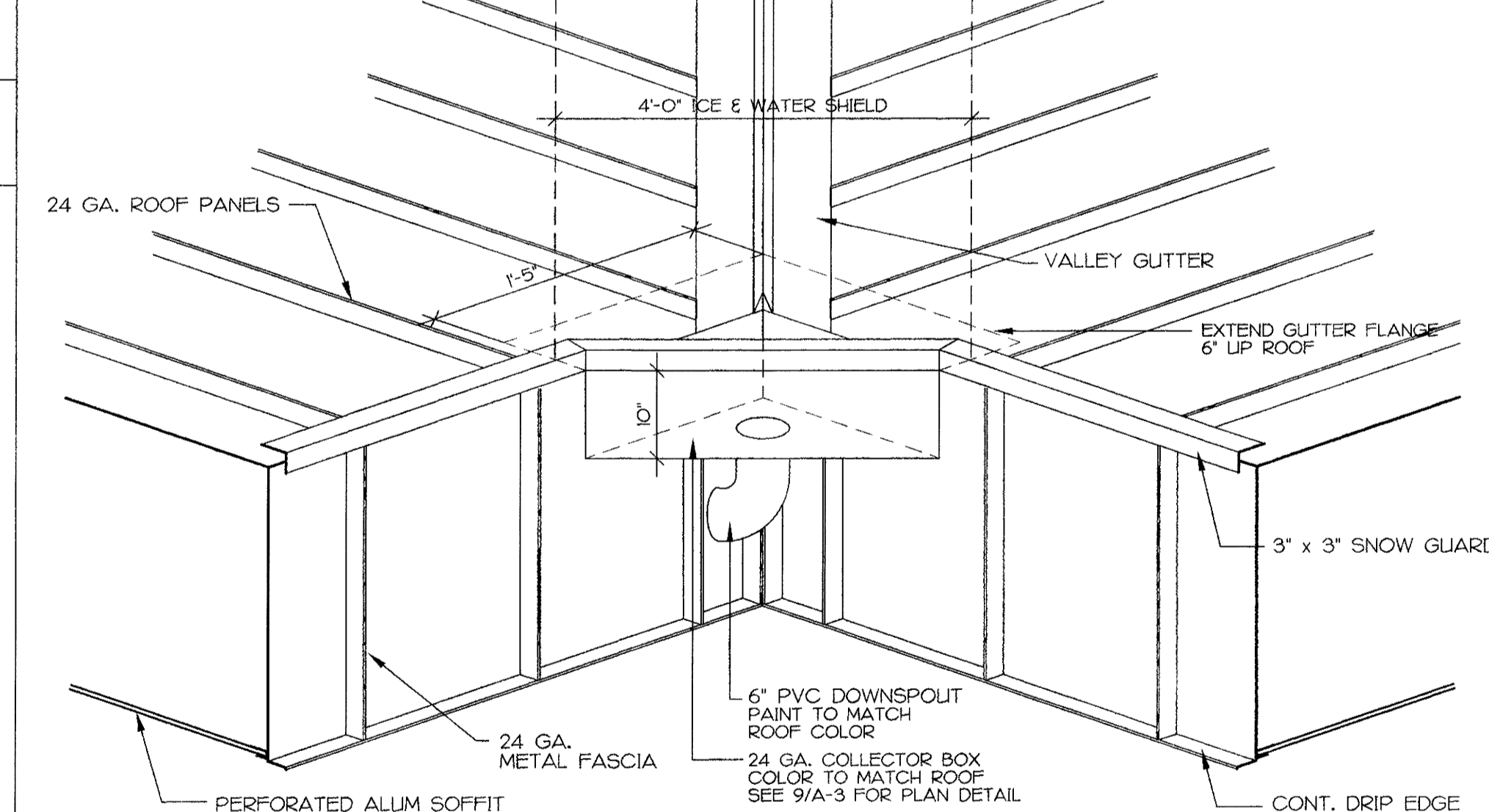
4 VENT STACK DETAIL
3'-1'-0"



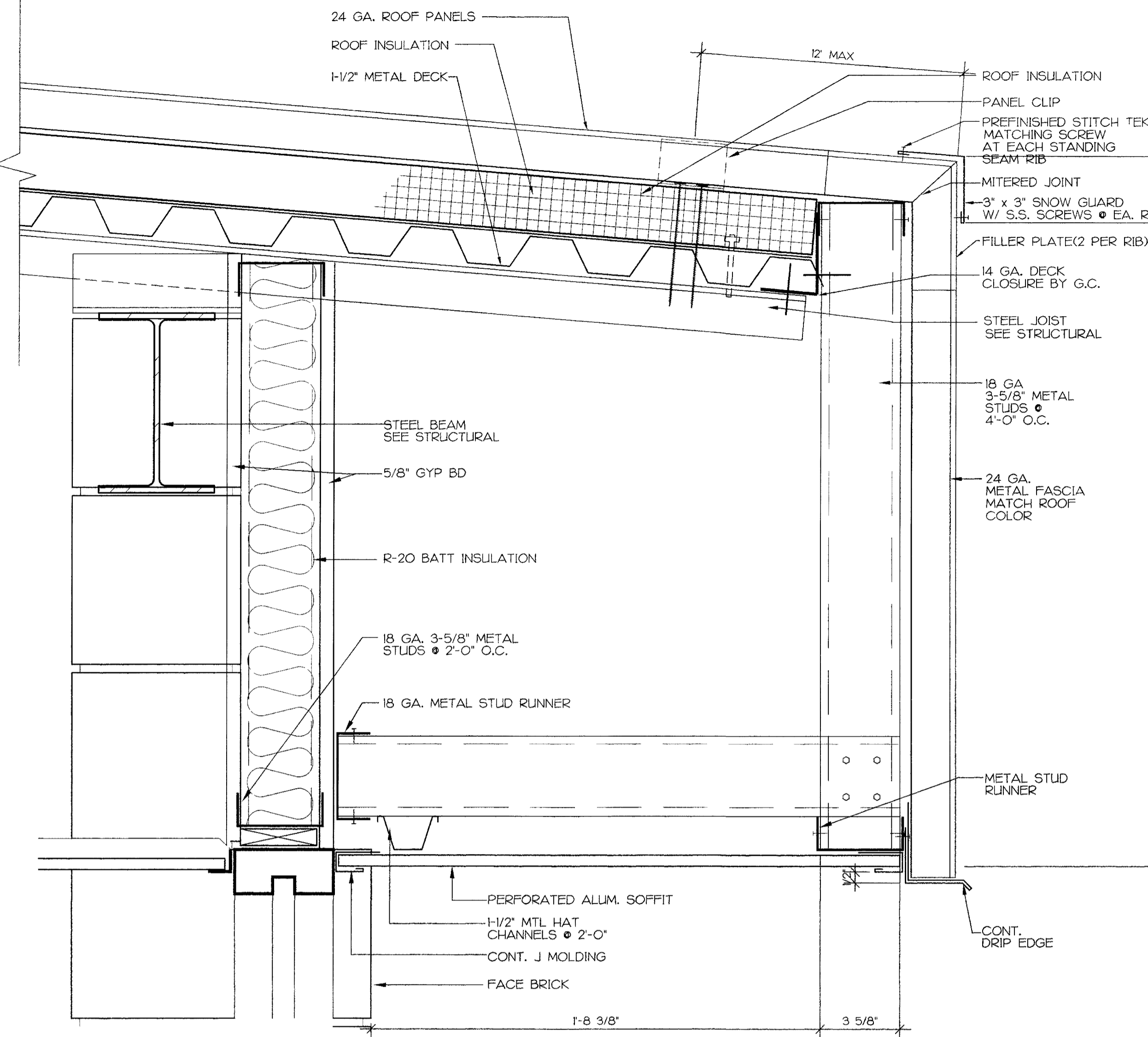
5 NON-VENTED RIDGE CAP
3'-1'-0"



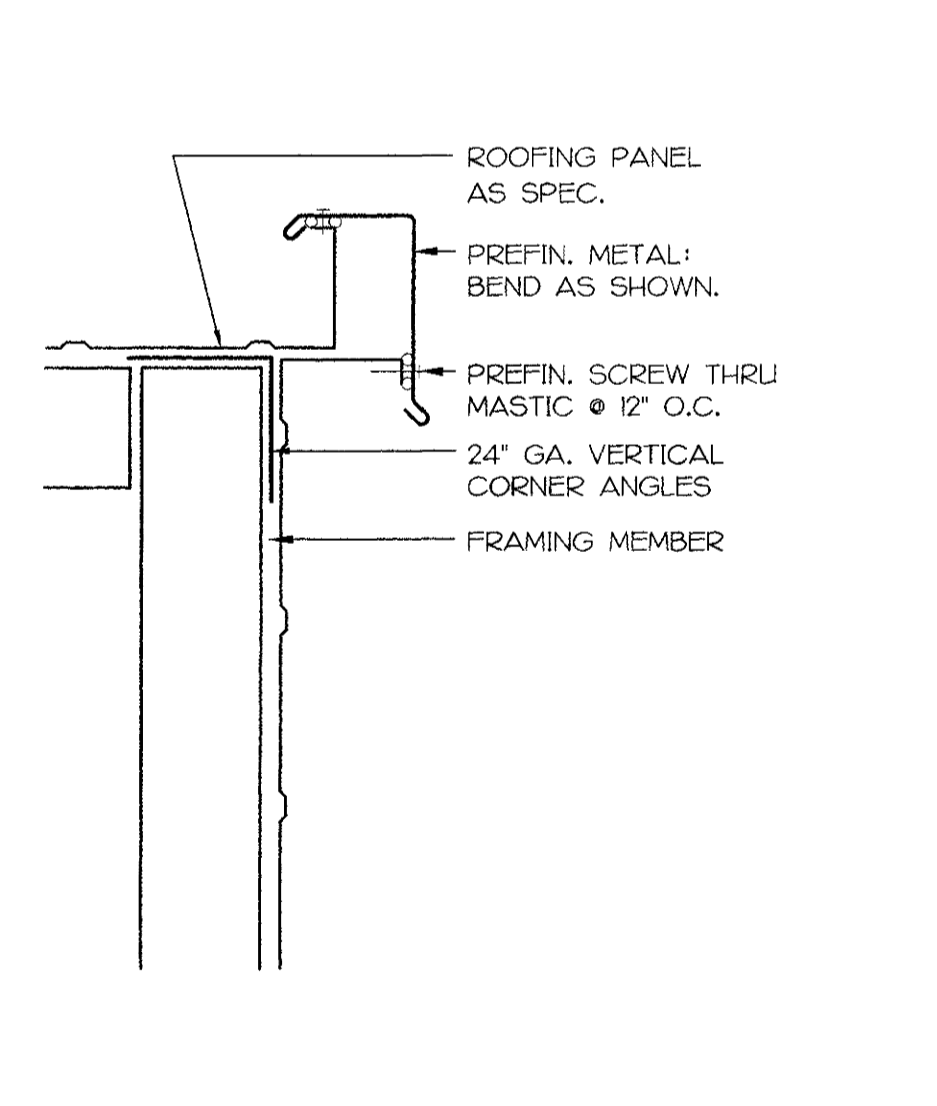
2 TYPICAL FASCIA DETAIL
3'-1'-0"



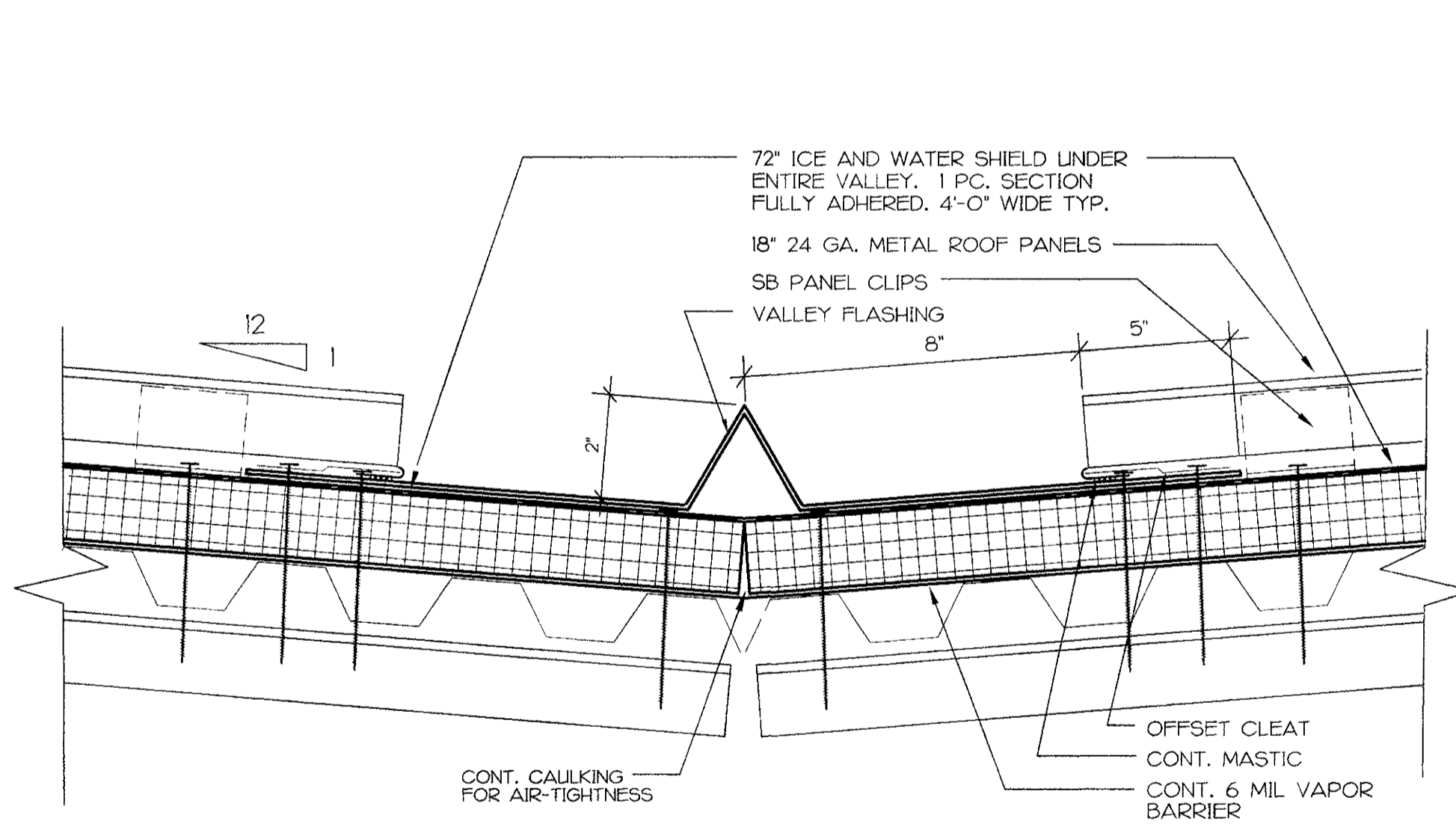
6 VALLEY COLLECTOR BOX DETAIL
3/4" x 1'-0"



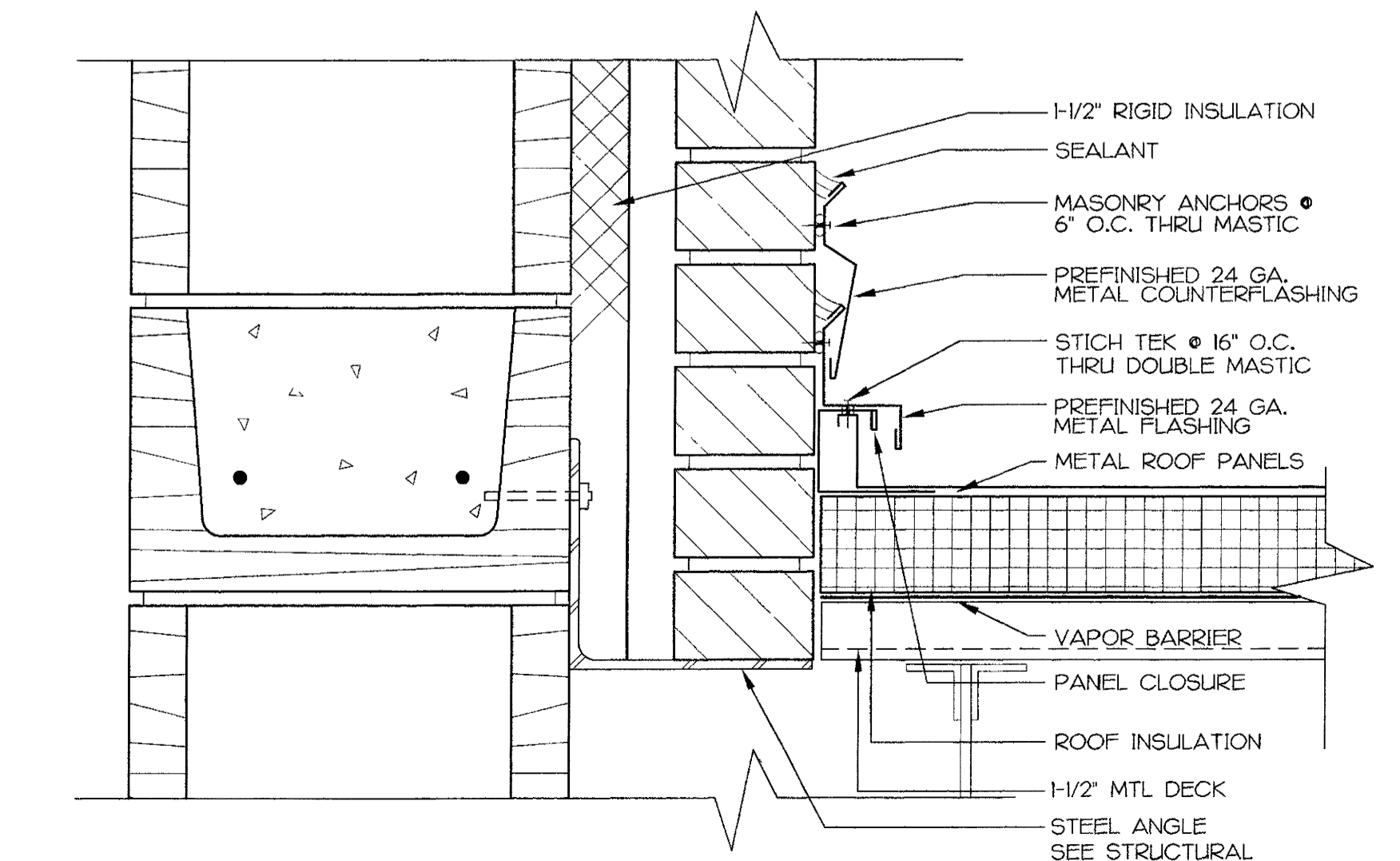
3 TYPICAL FASCIA DETAIL AT WINDOWS
3'-1'-0"



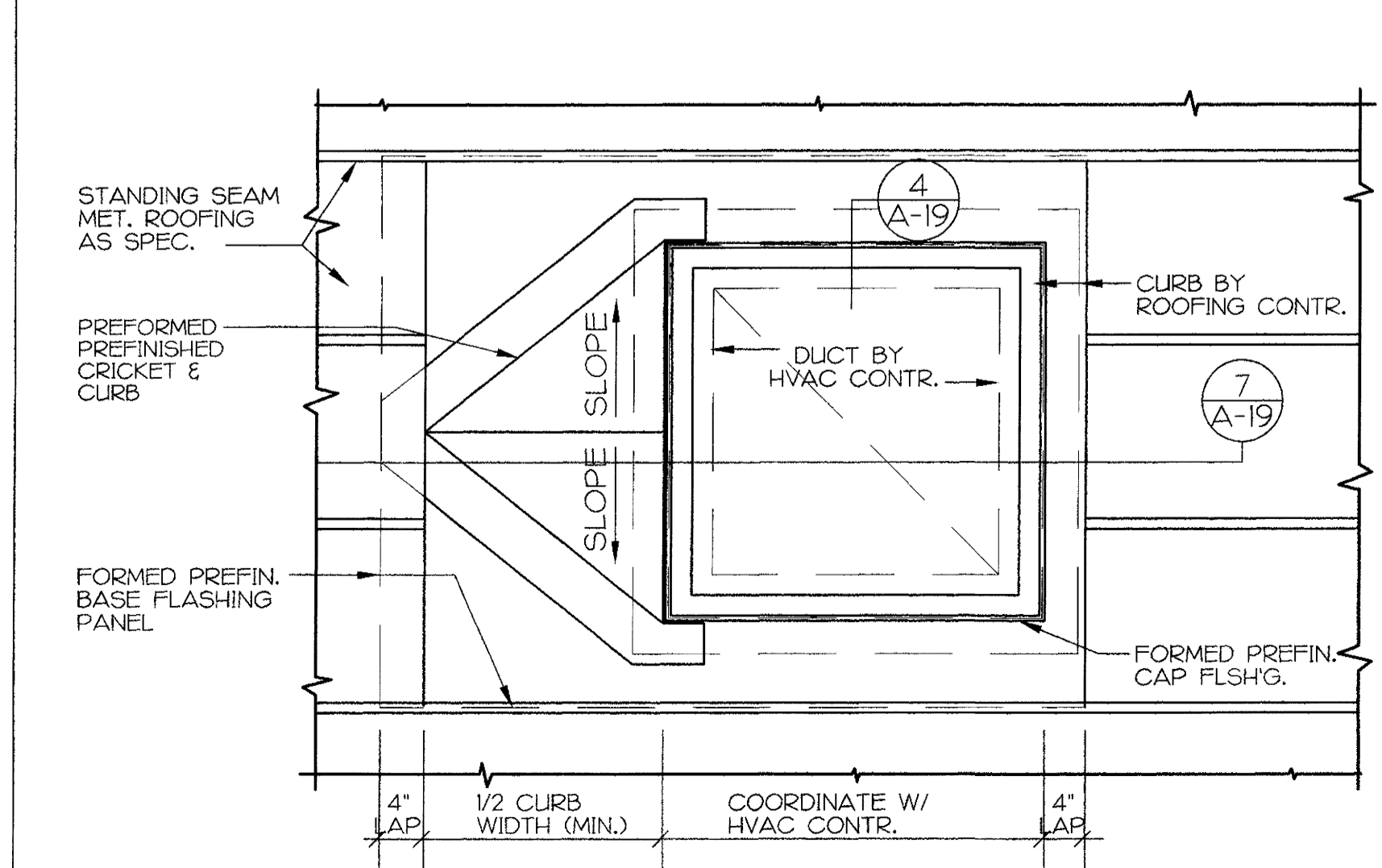
7 DETAIL OF GABLE CORNER (PLAN)
3'-1'-0"



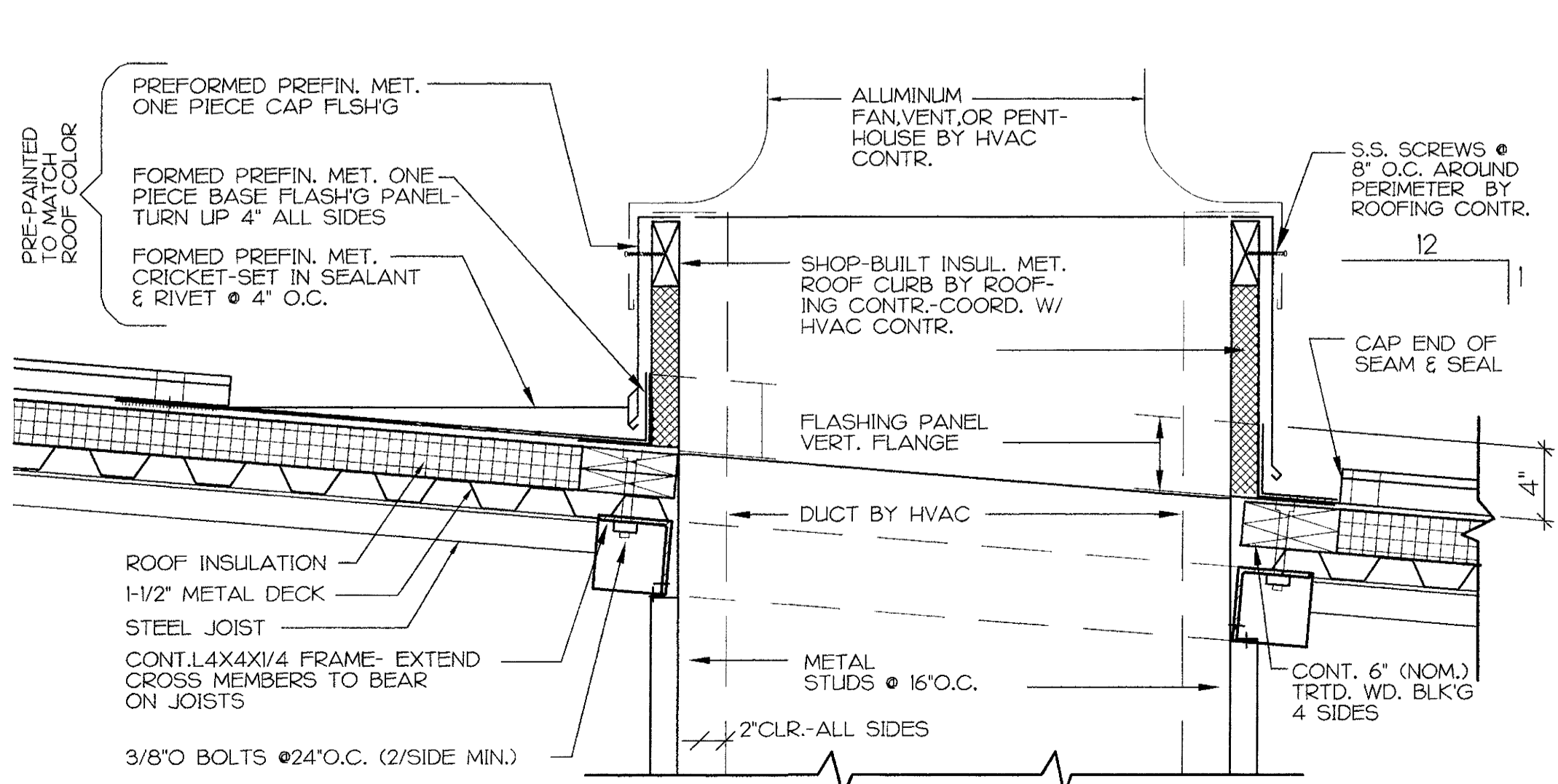
8 VALLEY GUTTER DETAIL
3'-1'-0"



9 SEAMED ROOF TO BRICK DETAIL
3'-1'-0"

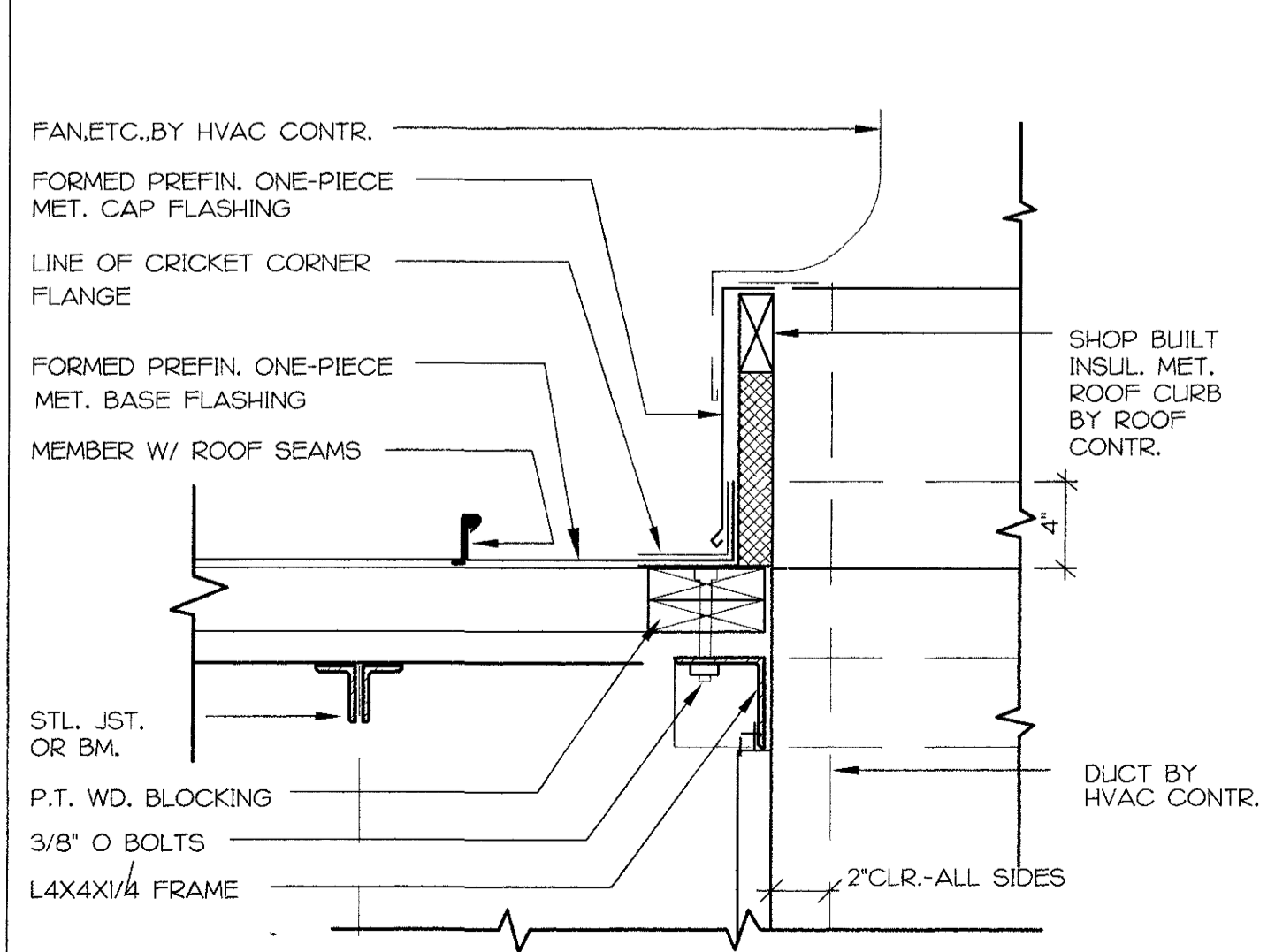


10 TYPICAL ROOF EQUIPMENT CURB PLAN
3/4" x 1'-0"

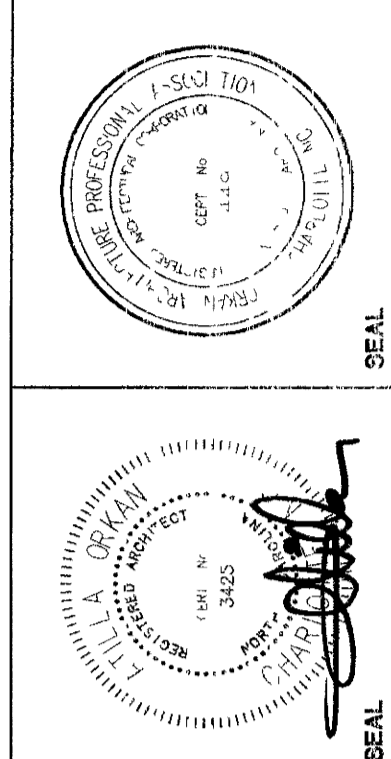


11 EQUIPMENT CURB SECTION
1/2" x 1'-0"

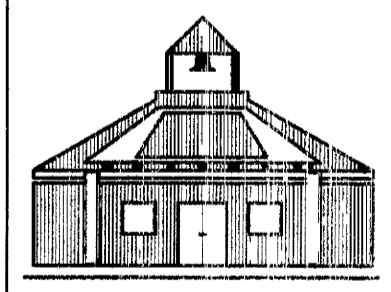
(ALL ROOF CURBS BY ROOFING CONTRACTOR COLOR TO MATCH ROOF COLOR)



12 EQUIPMENT CURB SECTION
1/2" x 1'-0"



ORIGIN ARCHITECTURE, P.A. RESERVES ALL RIGHTS. THIS DOCUMENT IS THE PROPERTY OF ORIGIN ARCHITECTURE, P.A. AND IS TO BE USED ONLY FOR THE PROJECT AND SITE SPECIFICALLY IDENTIFIED HEREIN. ANY REUSE, REPRODUCTION, OR TRANSMISSION OF THIS DOCUMENT WITHOUT THE WRITTEN PERMISSION OF ORIGIN ARCHITECTURE, P.A. IS STRICTLY PROHIBITED. ORIGIN ARCHITECTURE, P.A. SHALL BE RESPONSIBLE FOR ANY ERRORS OR OMISSIONS IN THIS DOCUMENT. THE USER ASSUMES ALL LIABILITY FOR ANY DAMAGE, LOSS, OR INJURY RESULTING FROM THE USE OF THIS DOCUMENT.



DRAWN BY	APPROVED BY
V.B.G.	A.O.
JOB NO.	AMS-97103
APPROVAL DATE	MAR 21, 98
BD ISSUE DATE	APR 28, 98
REVISIONS	