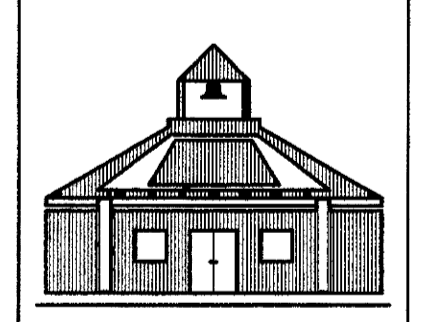


ORAN ARCHITECTURE, P.A. HEREBY REPRESENTS ITS DESIGN TEAM AS BEING QUALIFIED TO DESIGN AND PREPARE THE ARCHITECTURAL AND ENGINEERING DRAWINGS AND SPECIFICATIONS FOR THE PROJECT DESCRIBED HEREIN. THE DESIGN TEAM HAS BEEN LICENSED AND REGISTERED IN THE STATE OF NORTH CAROLINA. THE DESIGN TEAM HAS BEEN LICENSED AND REGISTERED IN THE STATE OF NORTH CAROLINA. THE DESIGN TEAM HAS BEEN LICENSED AND REGISTERED IN THE STATE OF NORTH CAROLINA.

ANDREWS
MIDDLE SCHOOL
CHEROKEE COUNTY, N.C.

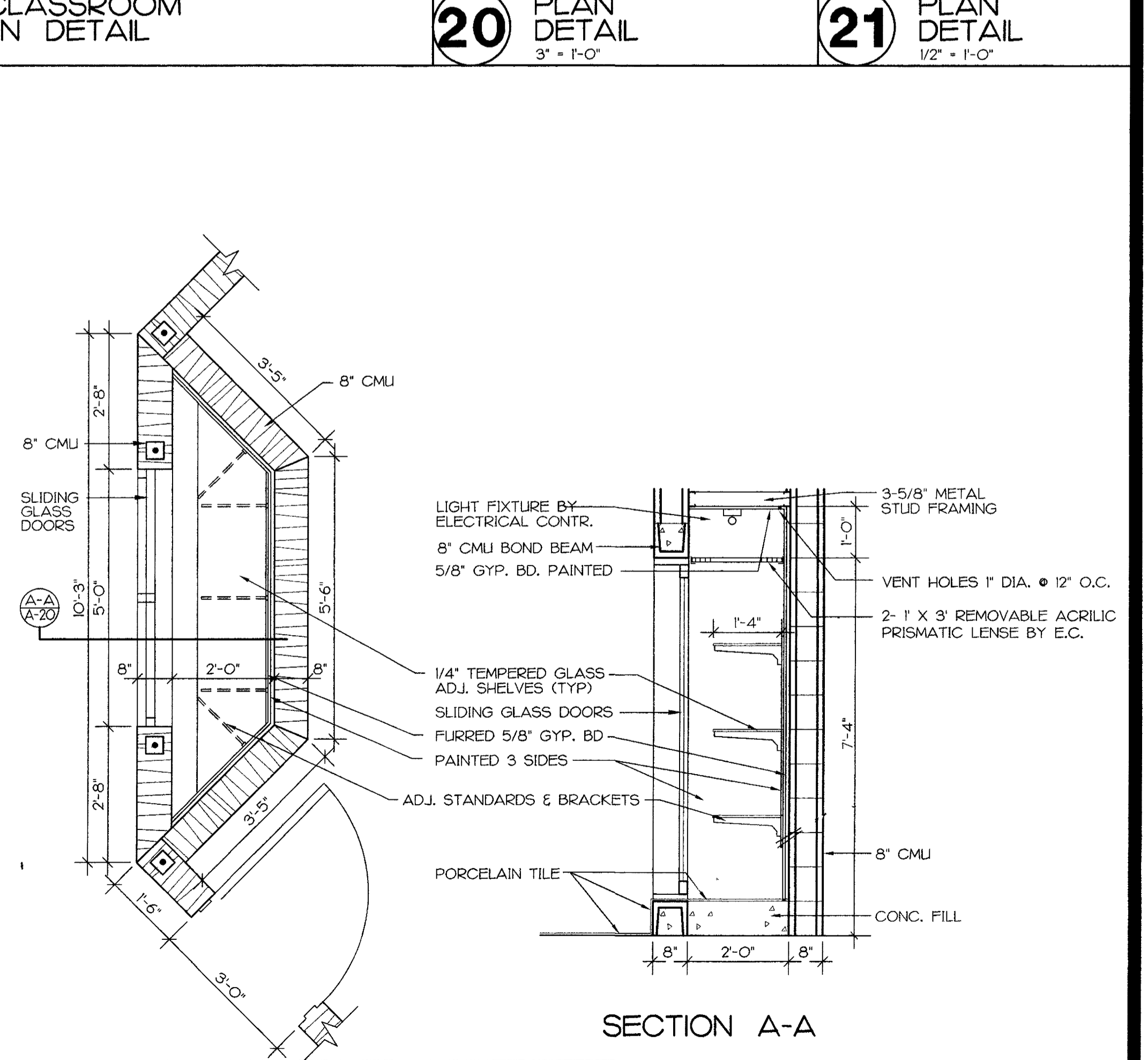
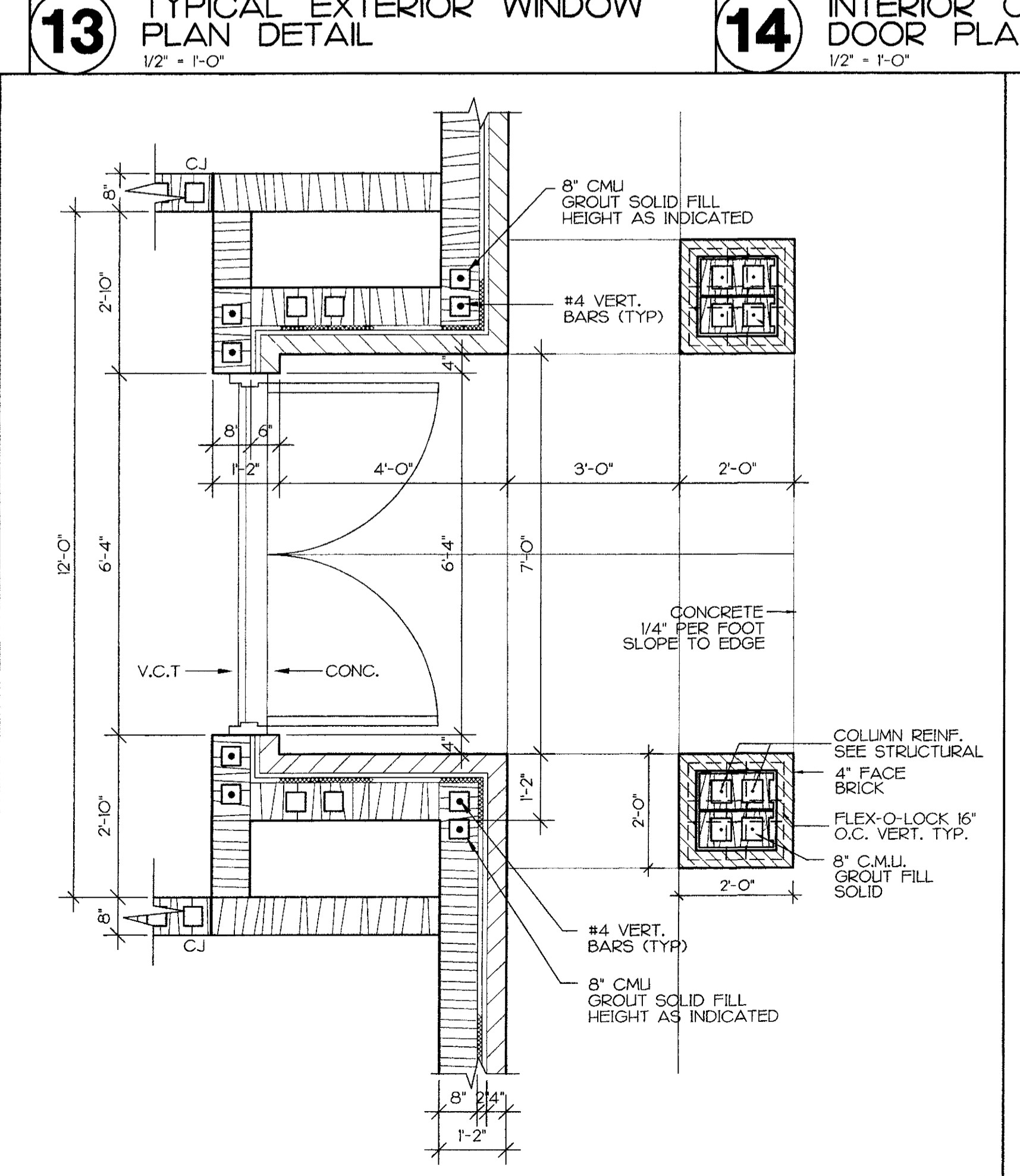
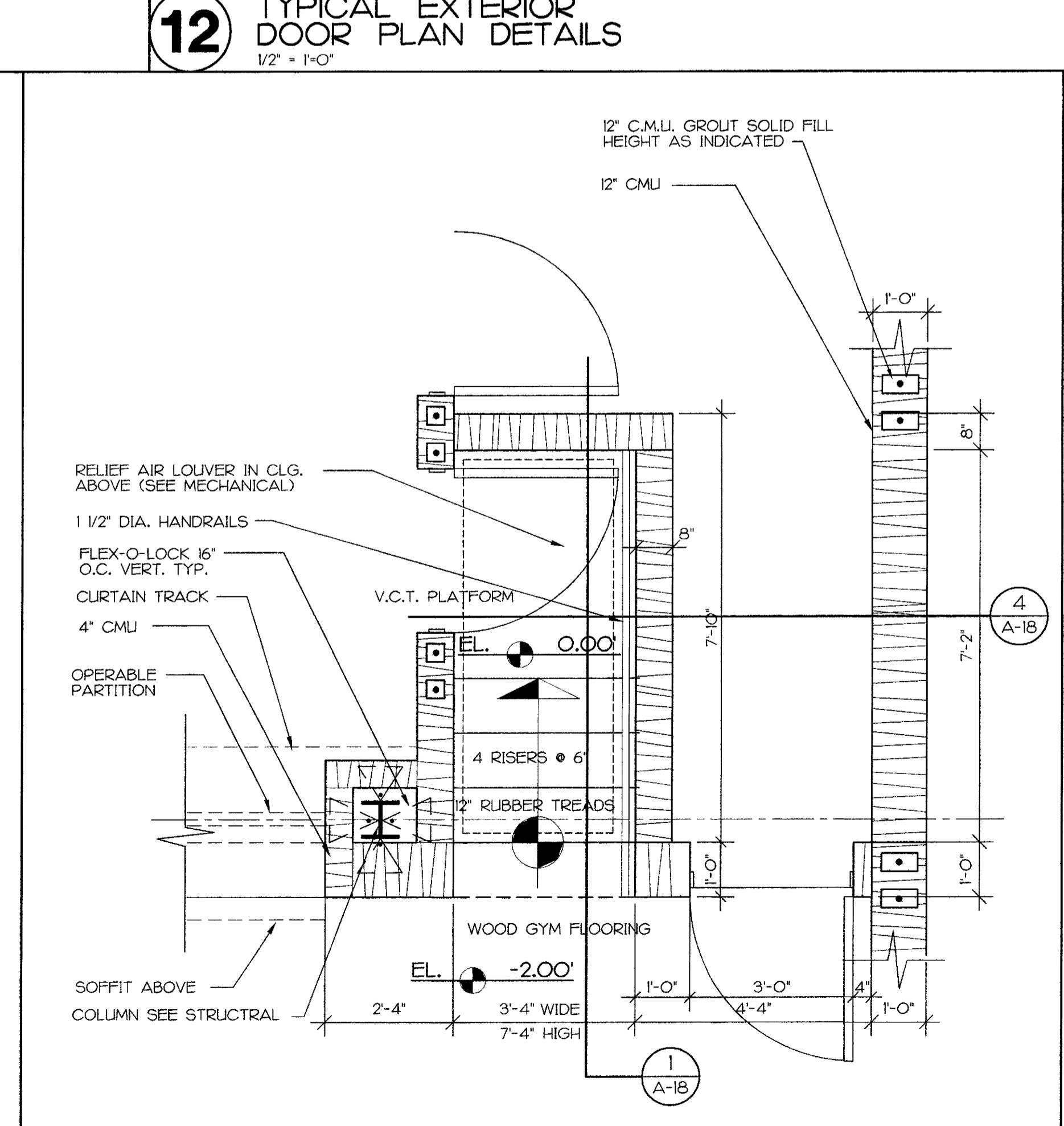
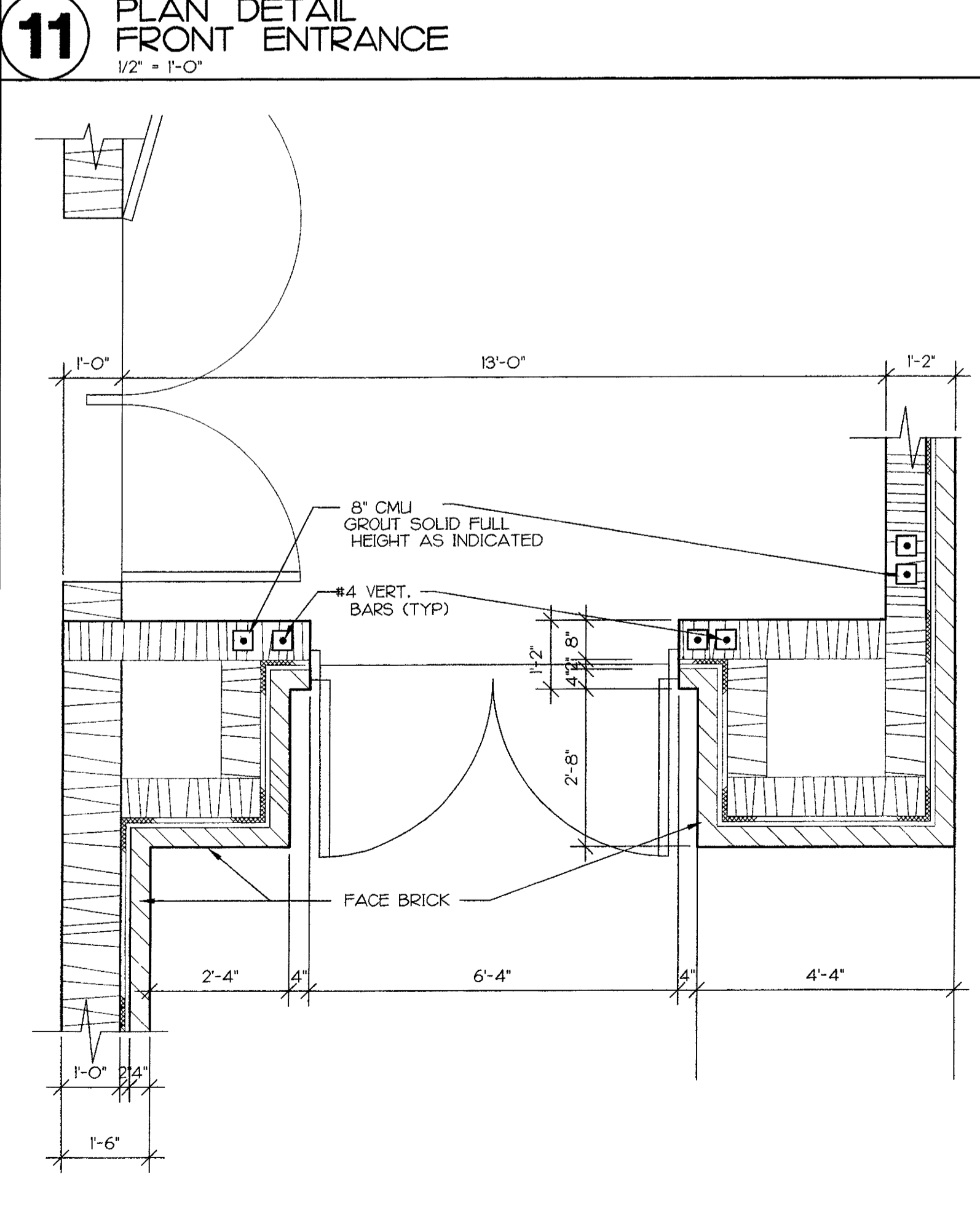
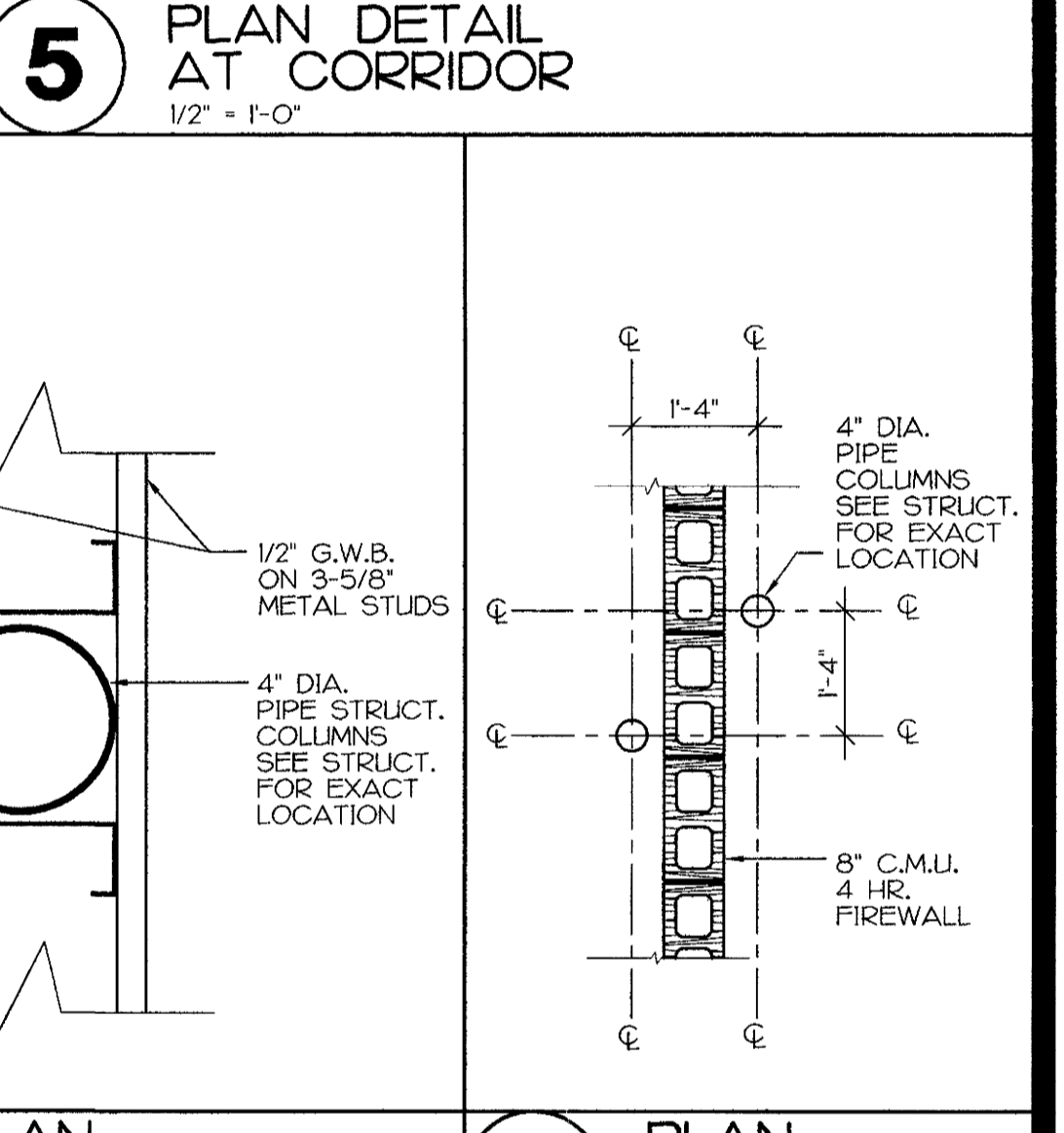
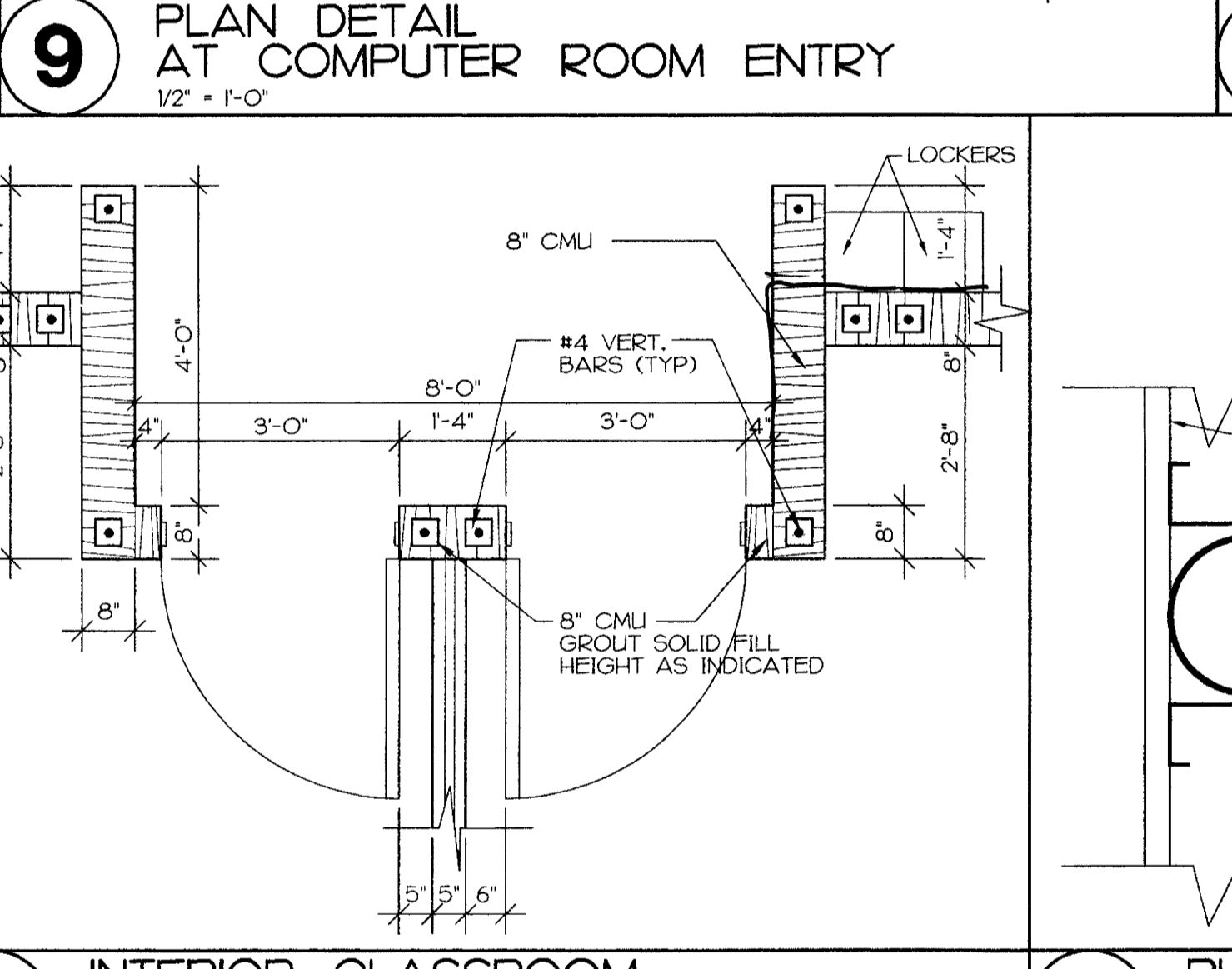
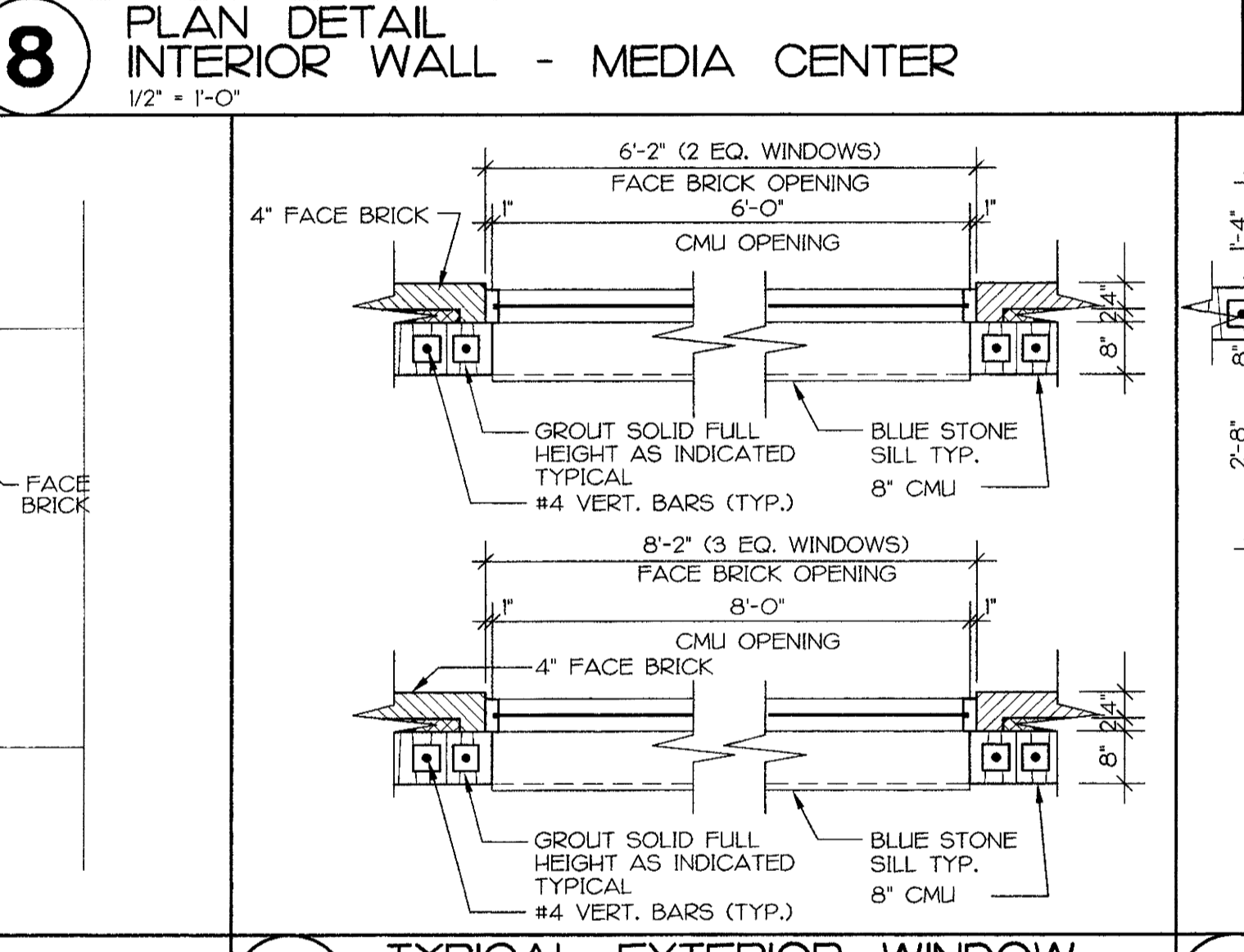
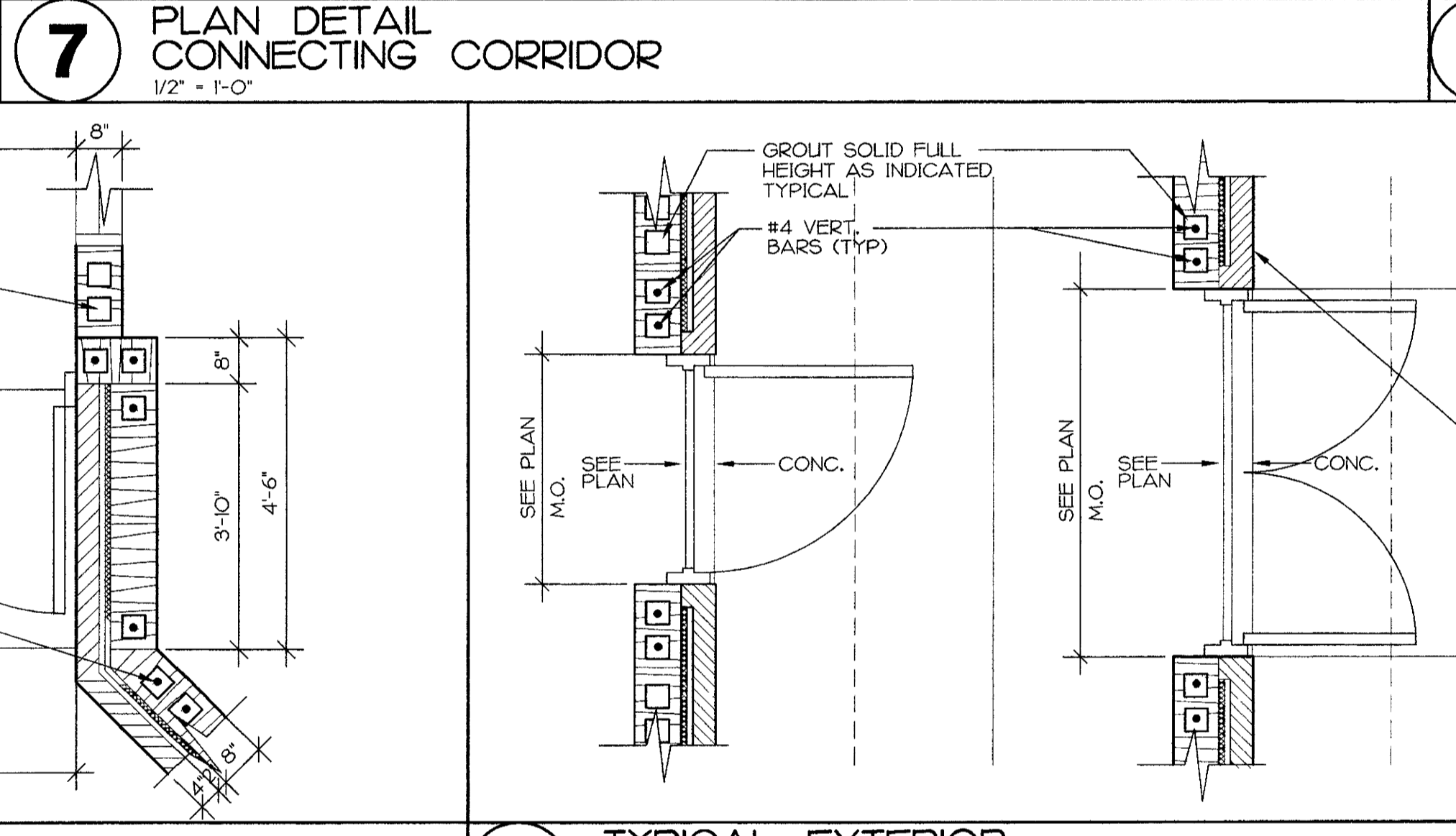
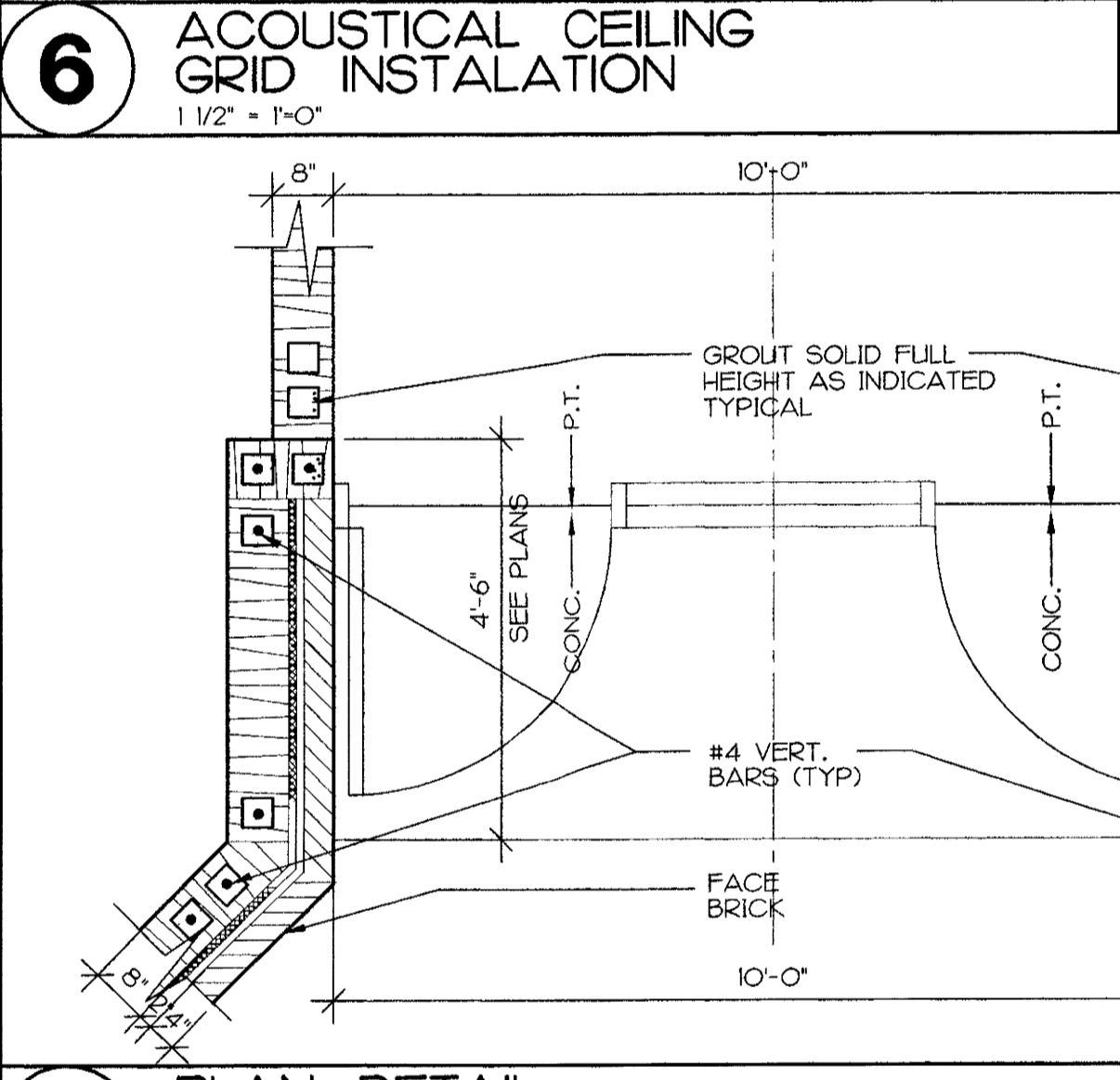
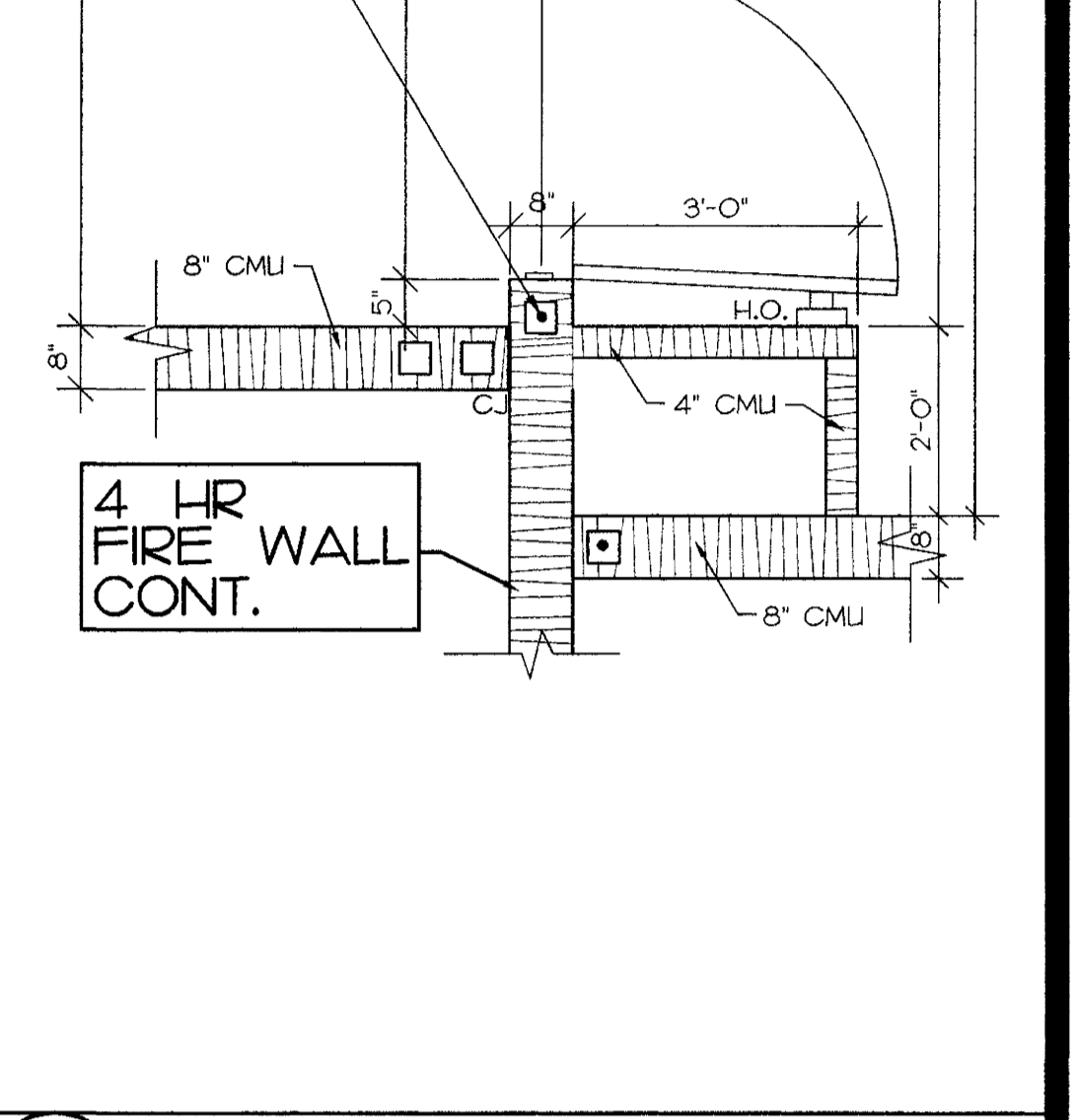
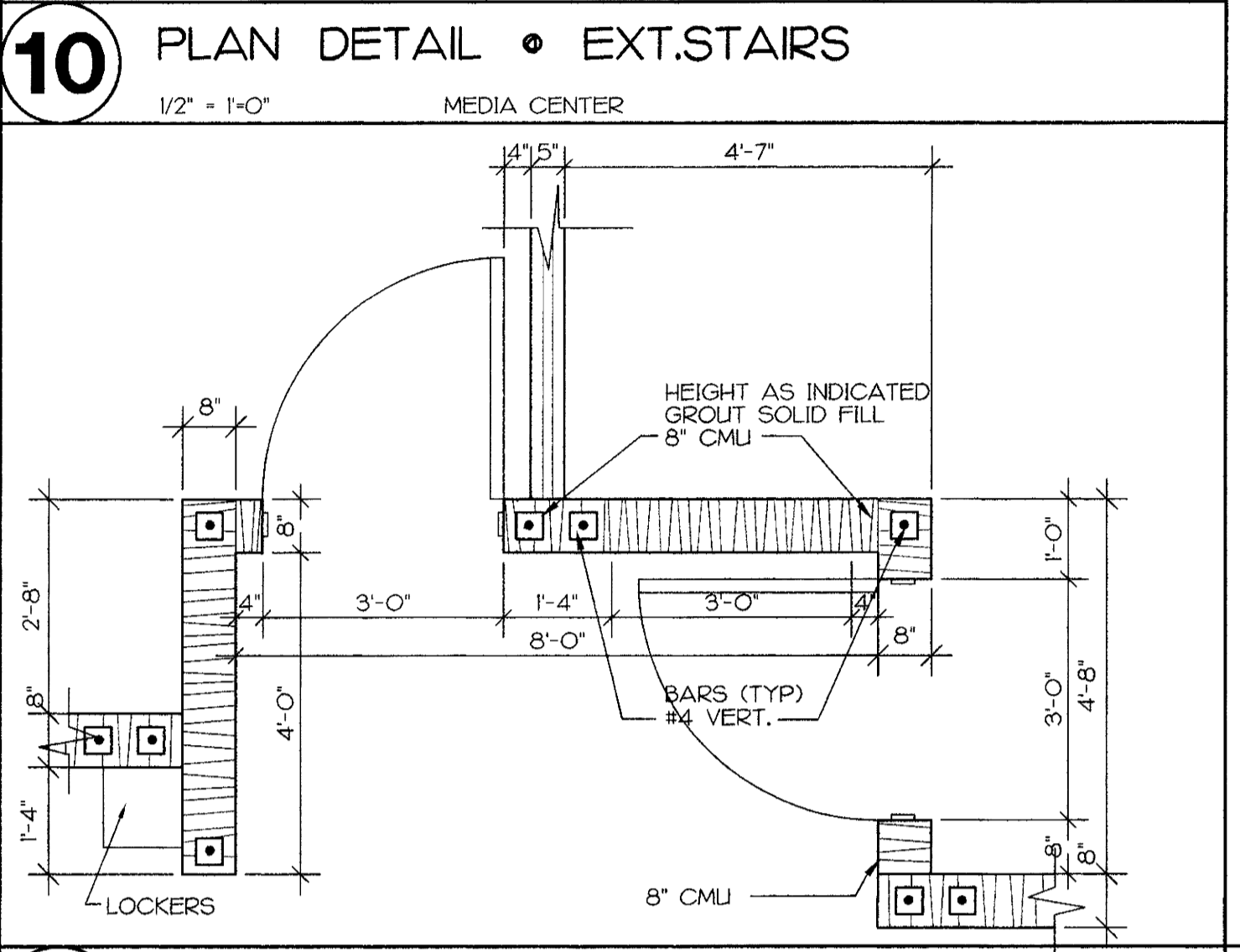
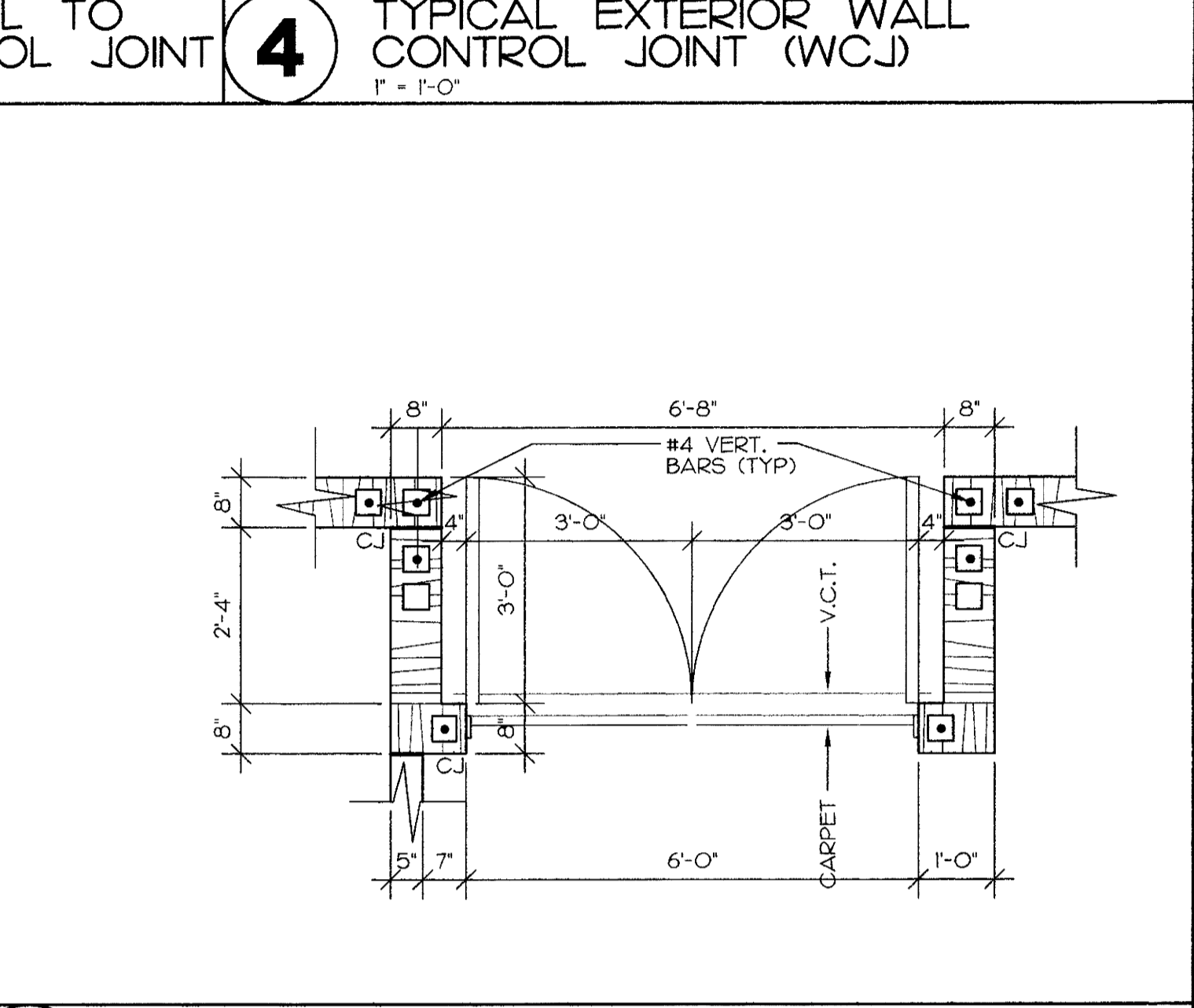
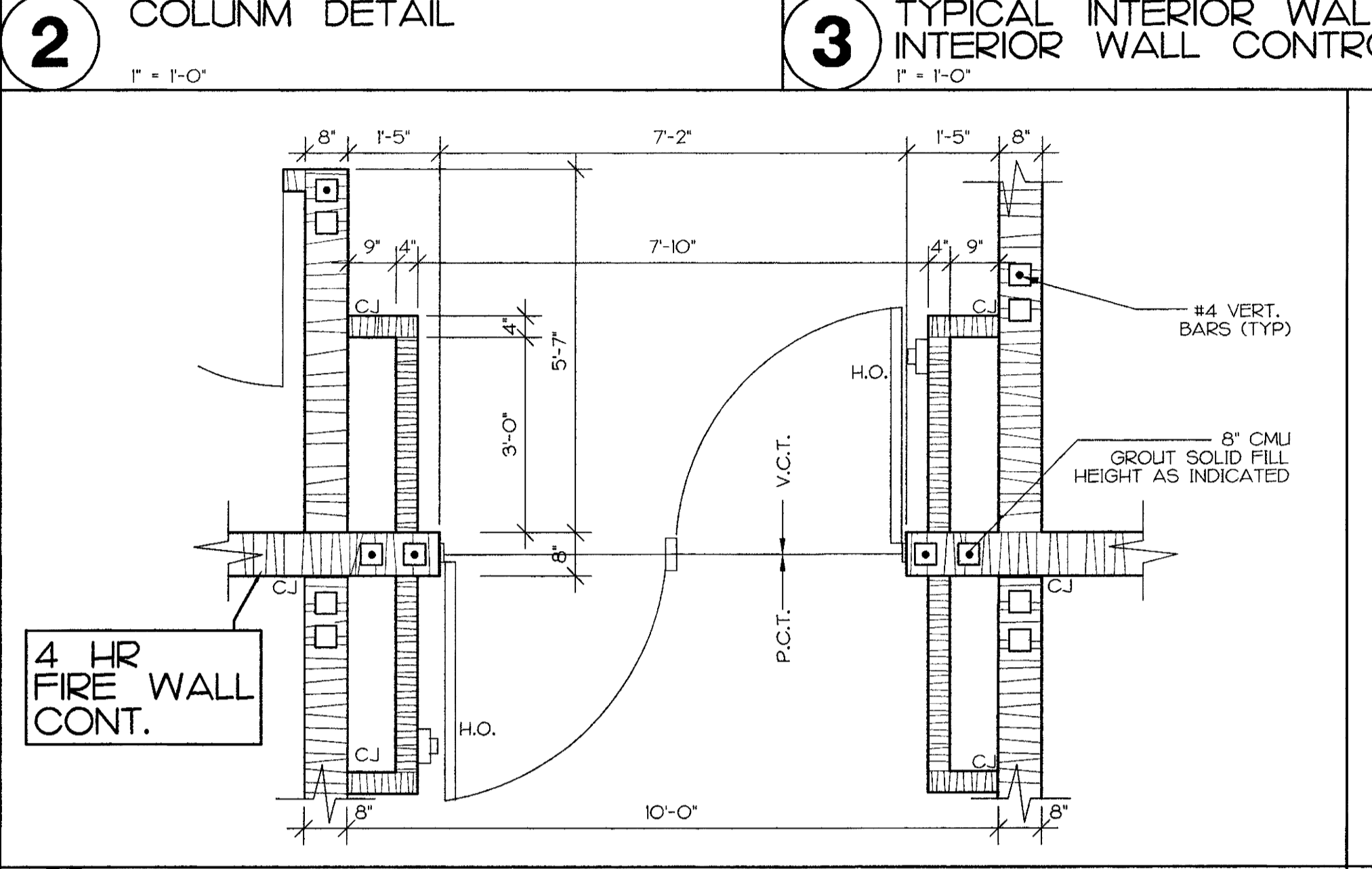
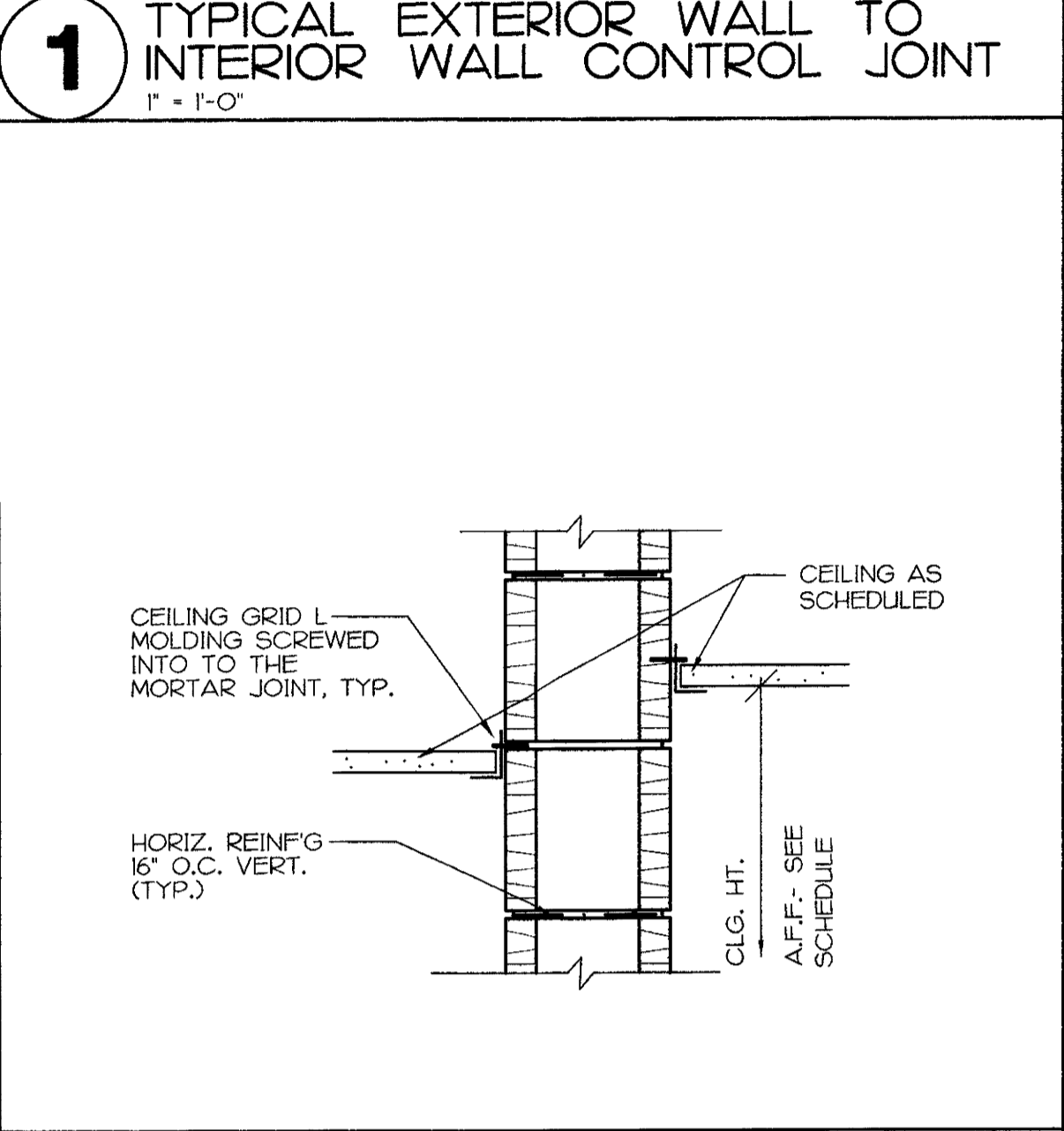
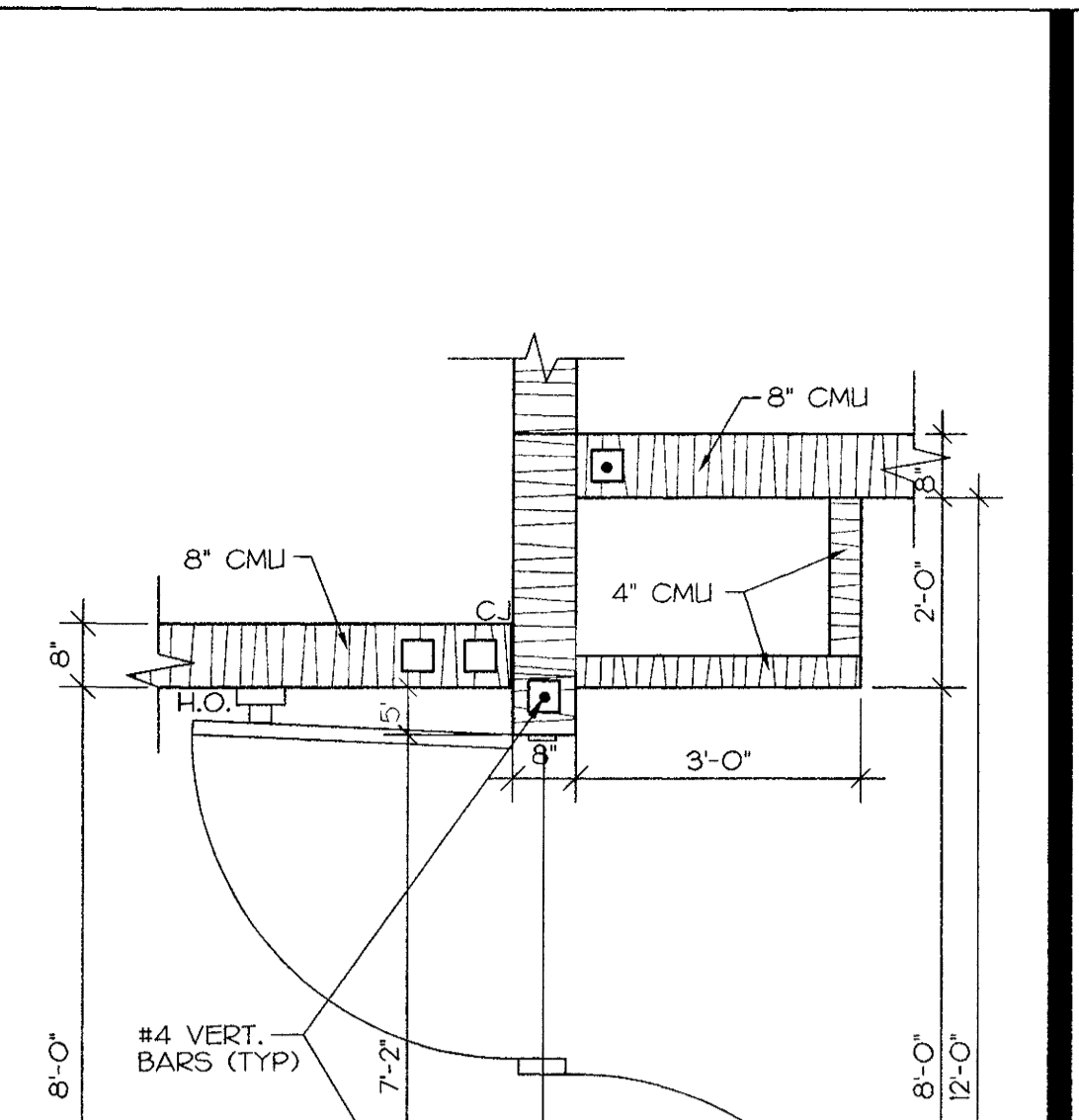
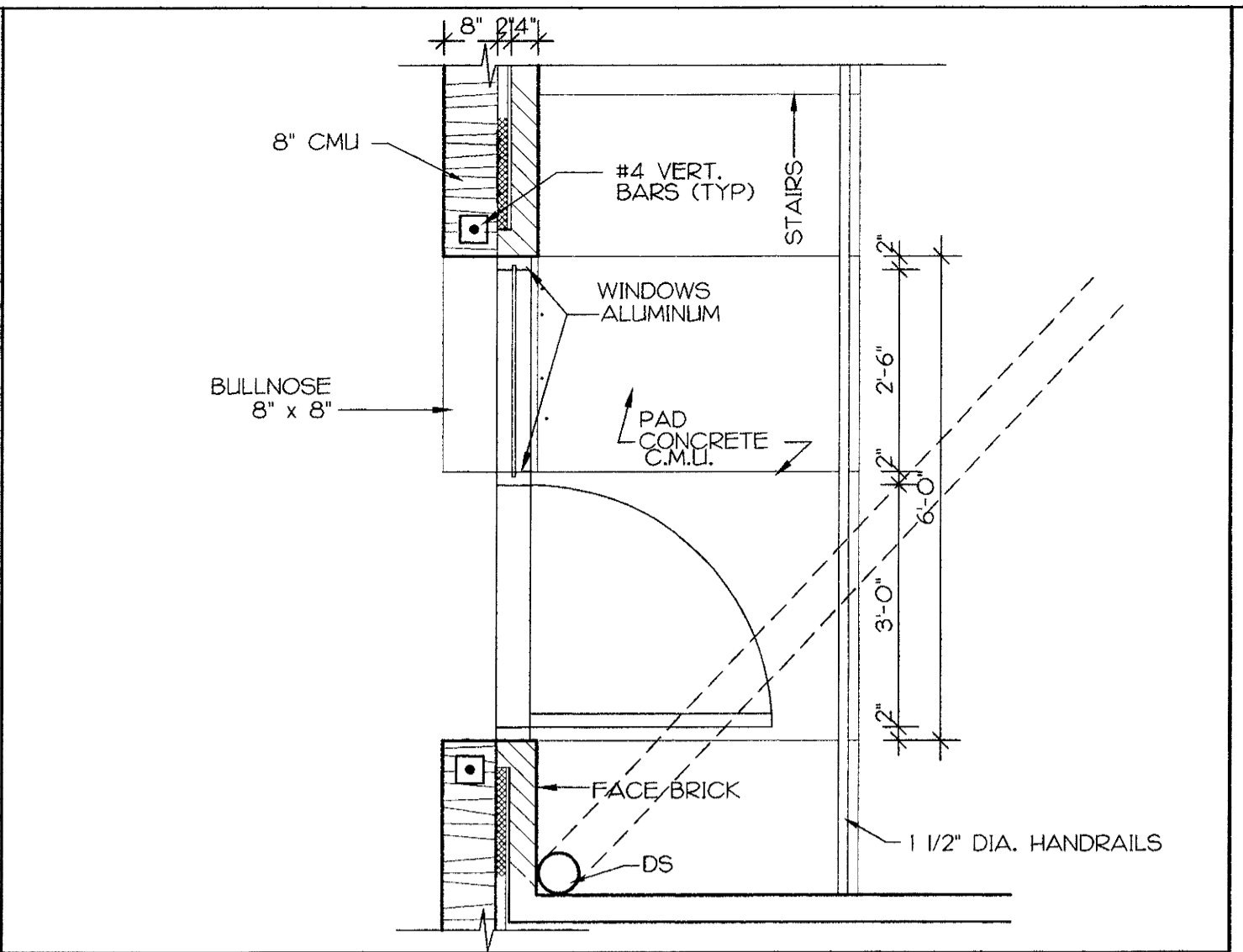
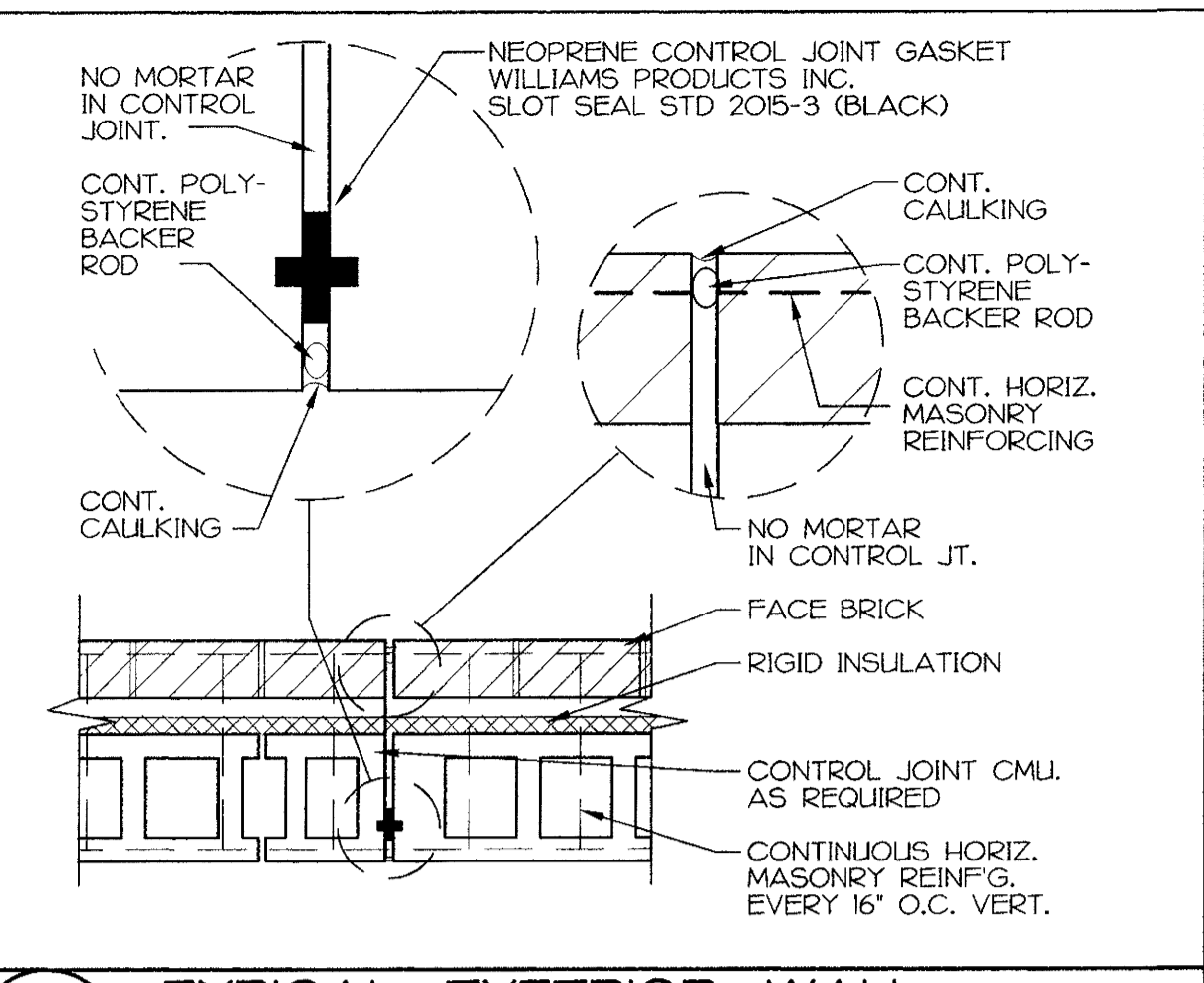
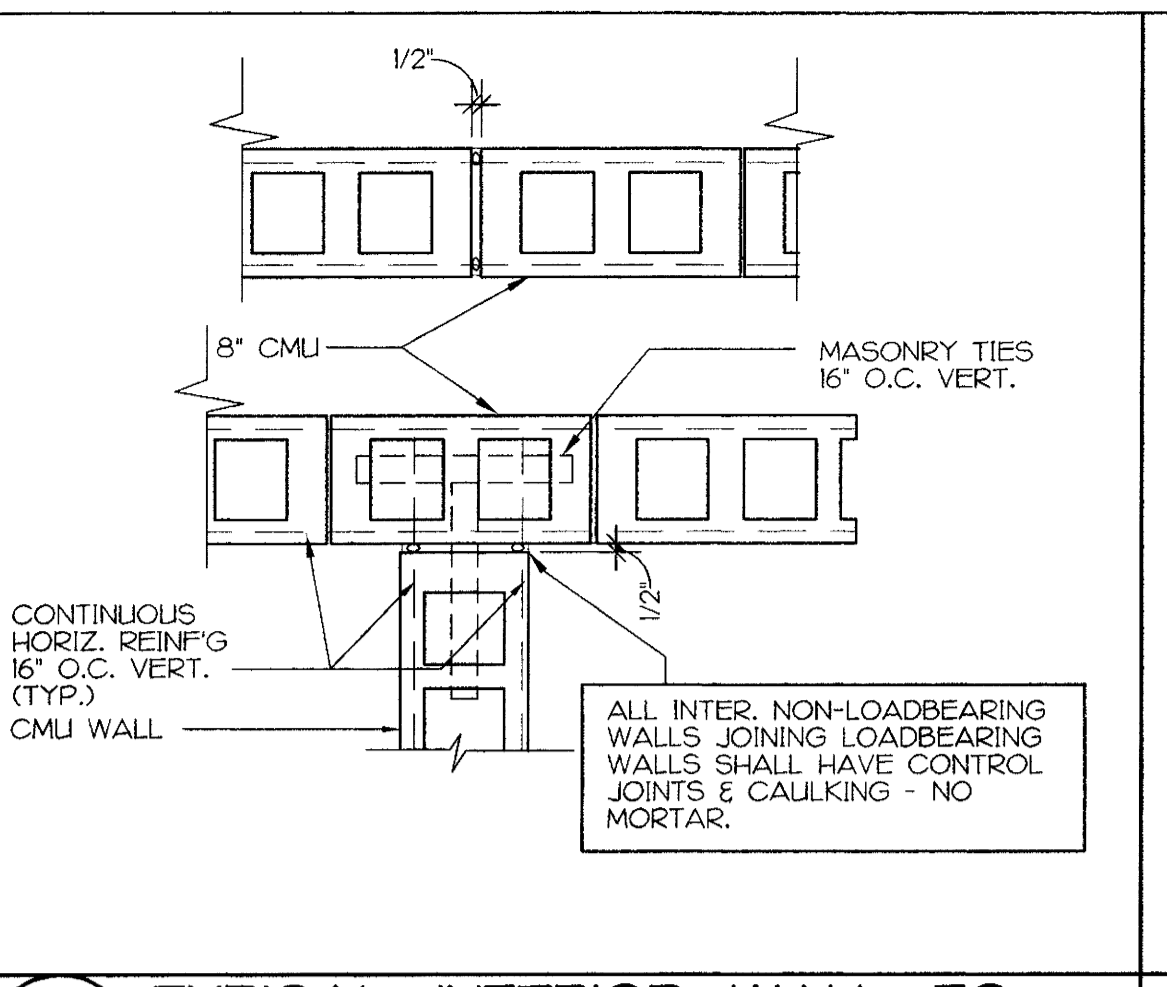
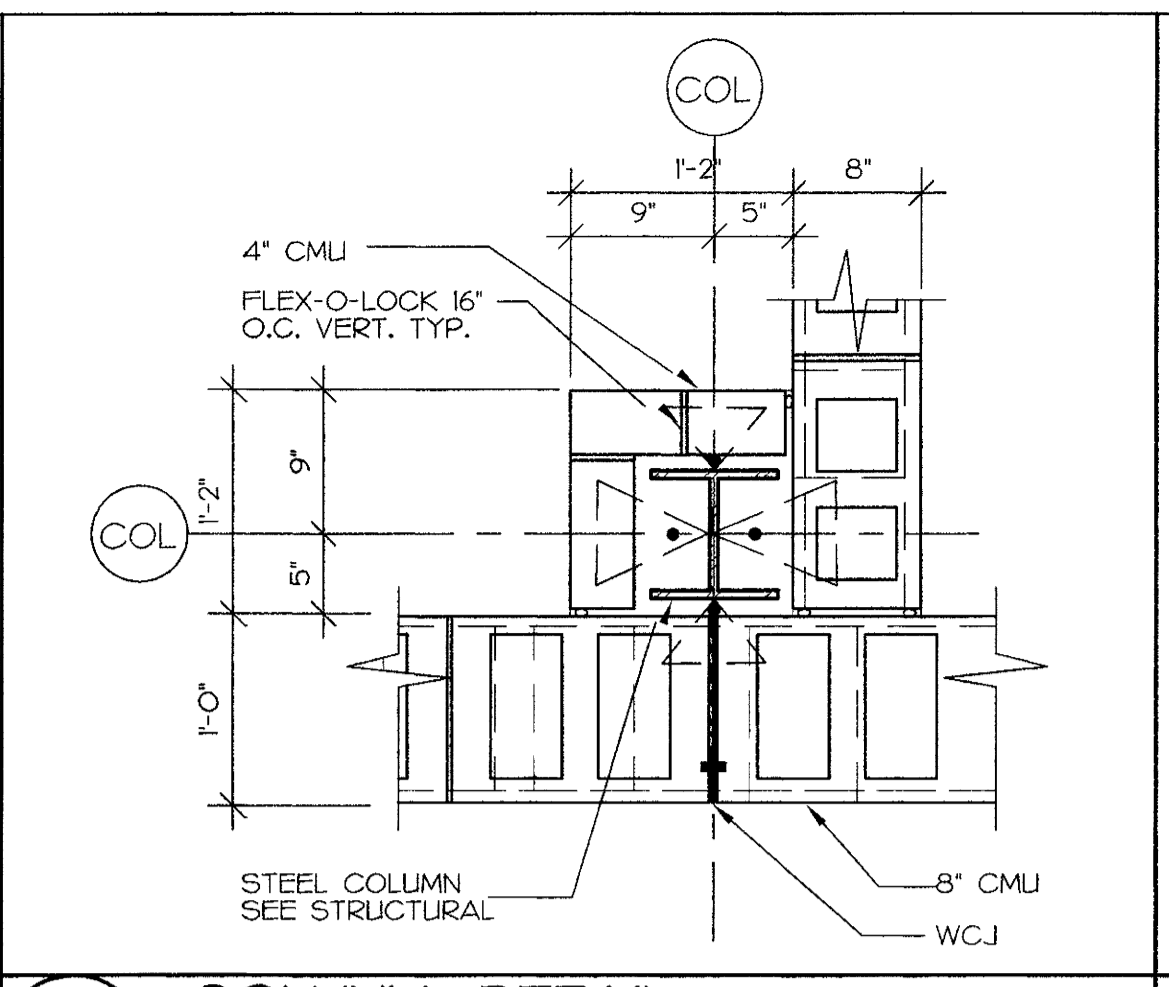
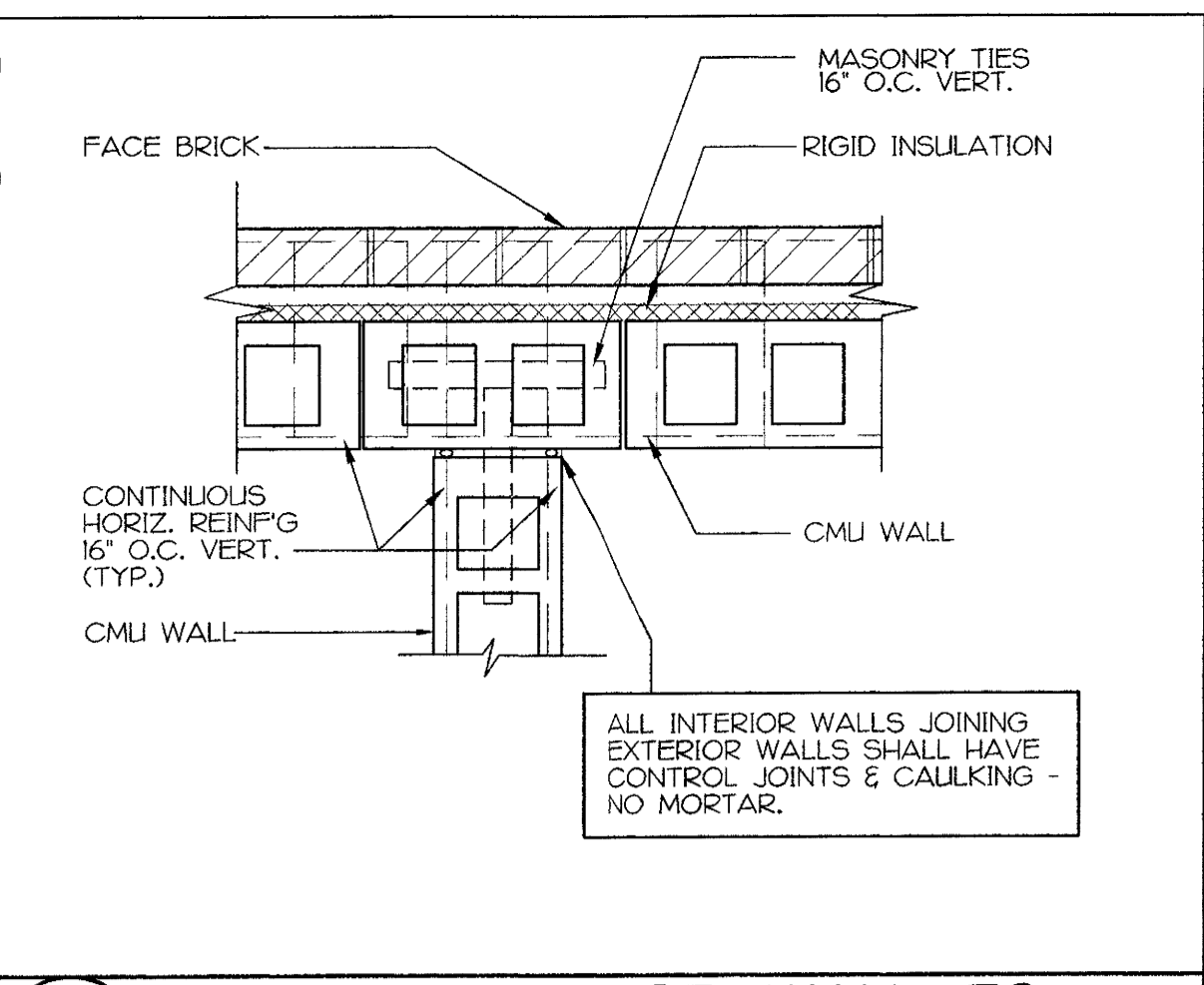


CHEROKEE COUNTY SCHOOLS

SHEET TITLE
PLAN DETAILS

DRAWN BY V.B.G. **APPROVED BY** A.O.
JOB NO. AMS-97103
APPROVAL DATE APR 21, 98
BID ISSUE DATE APR 28, 98
REVISIONS

SHEET A-20
OF 28
CADD UPDATE: 06/04/97 - 16:45



16 PLAN DETAIL WEST ENTRANCE
 1/2" = 1'-0"

17 PLAN DETAIL STAIRS
 1/2" = 1'-0"

18 PLAN DETAIL CLASSROOM WING ENTRANCE
 1/2" = 1'-0"

19 PLAN DETAIL DISPLAY CASE
 1/2" = 1'-0"