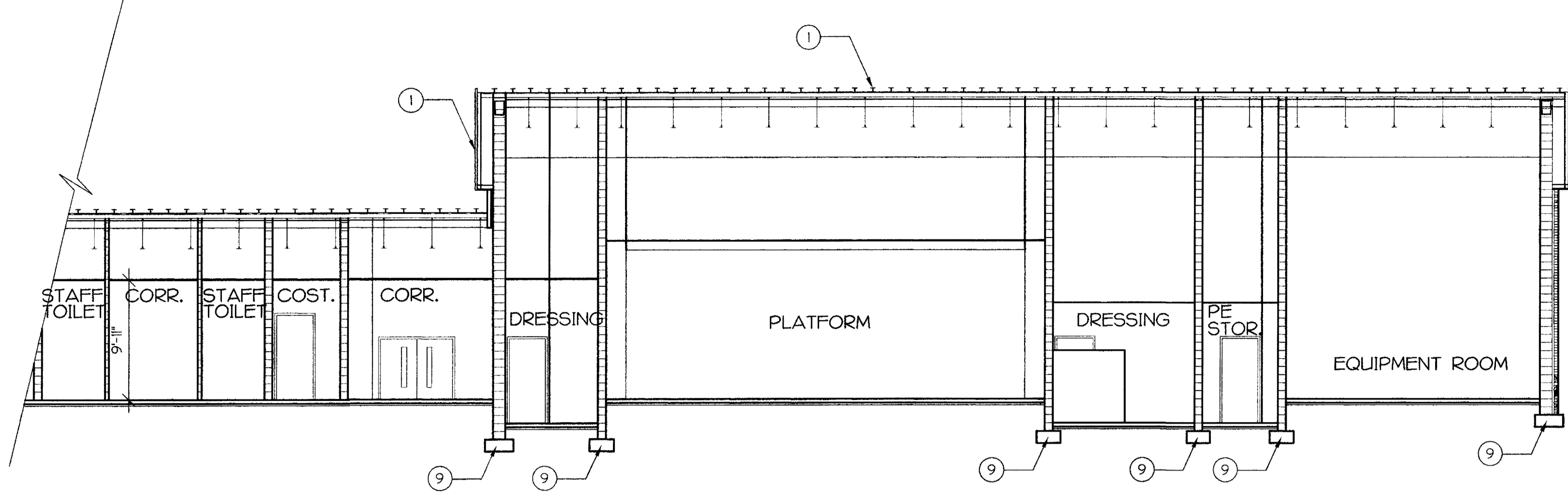
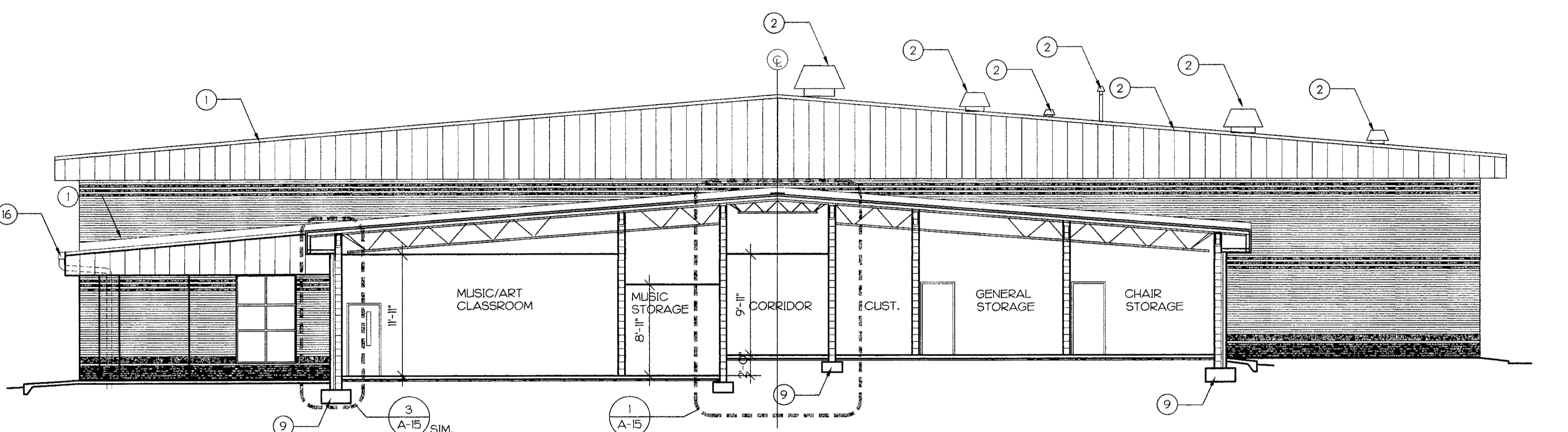


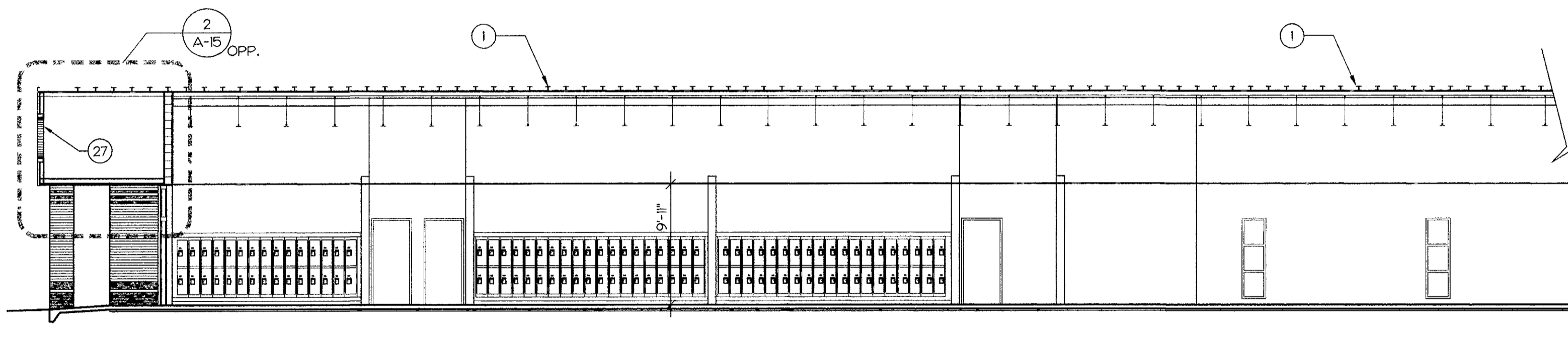
**1** BUILDING SECTION • GYM & PLATFORM  
1/8" = 1'-0"



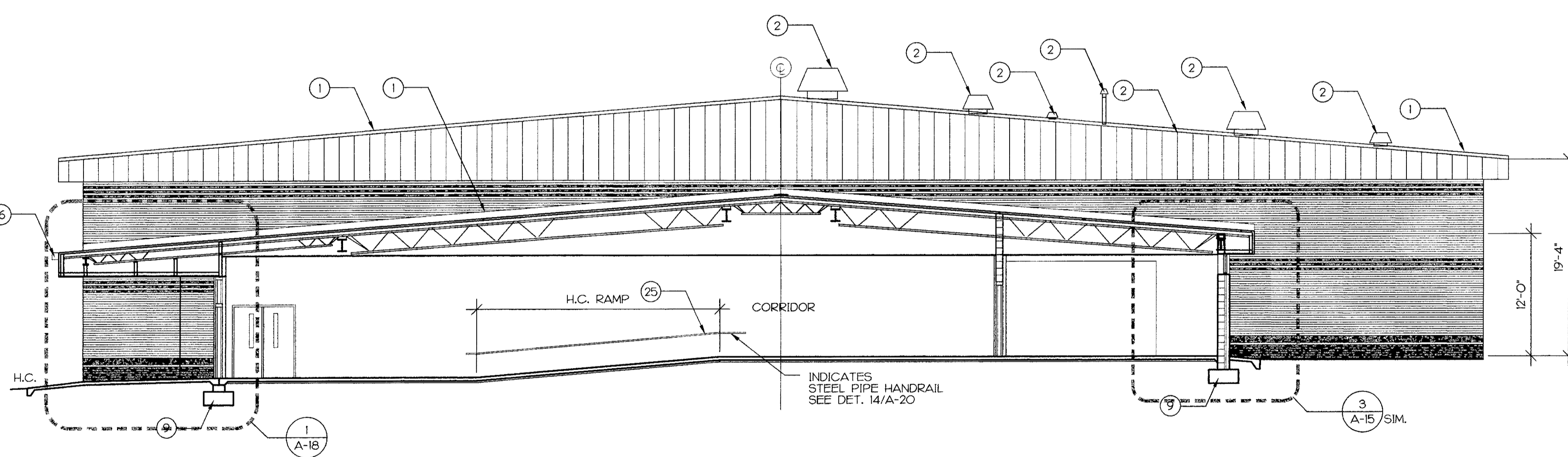
**5** LONGITUDINAL BUILDING SECTION • PLATFORM  
1/8" = 1'-0"



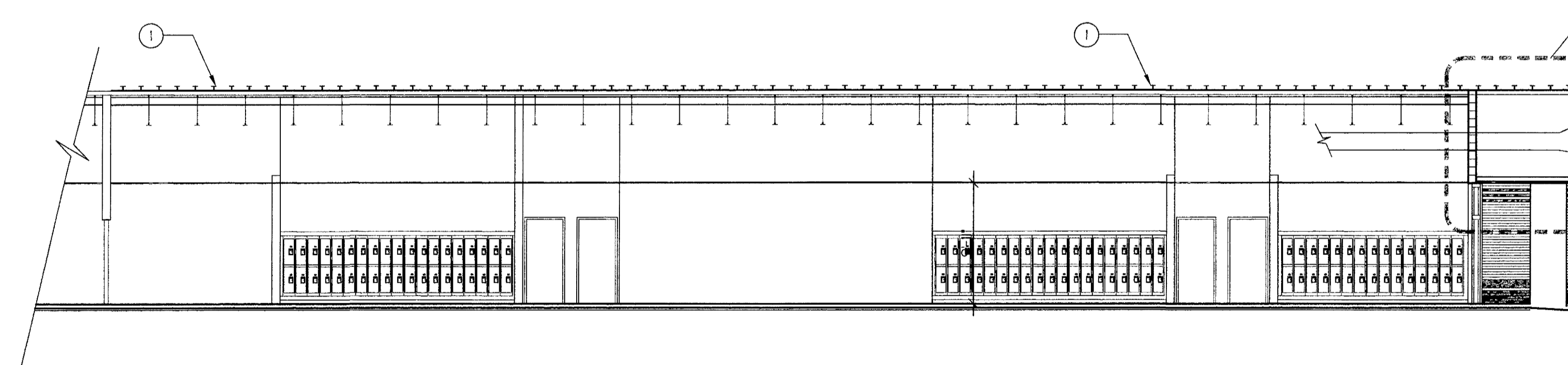
**2** BUILDING SECTION  
1/8" = 1'-0"



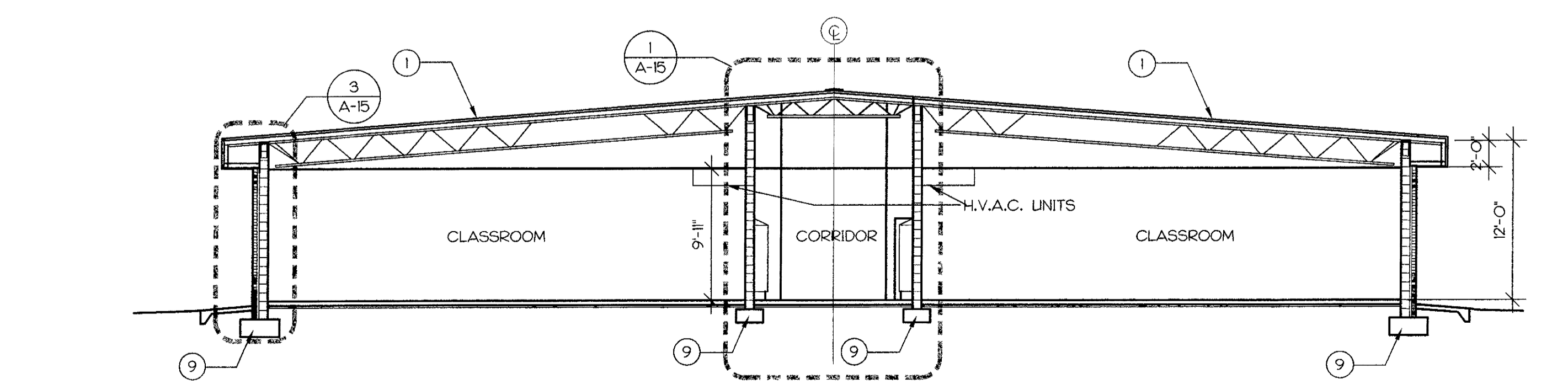
**6** LONGITUDINAL BUILDING SECTION • CORRIDOR (8 GRADE CLRM WING)  
1/8" = 1'-0"



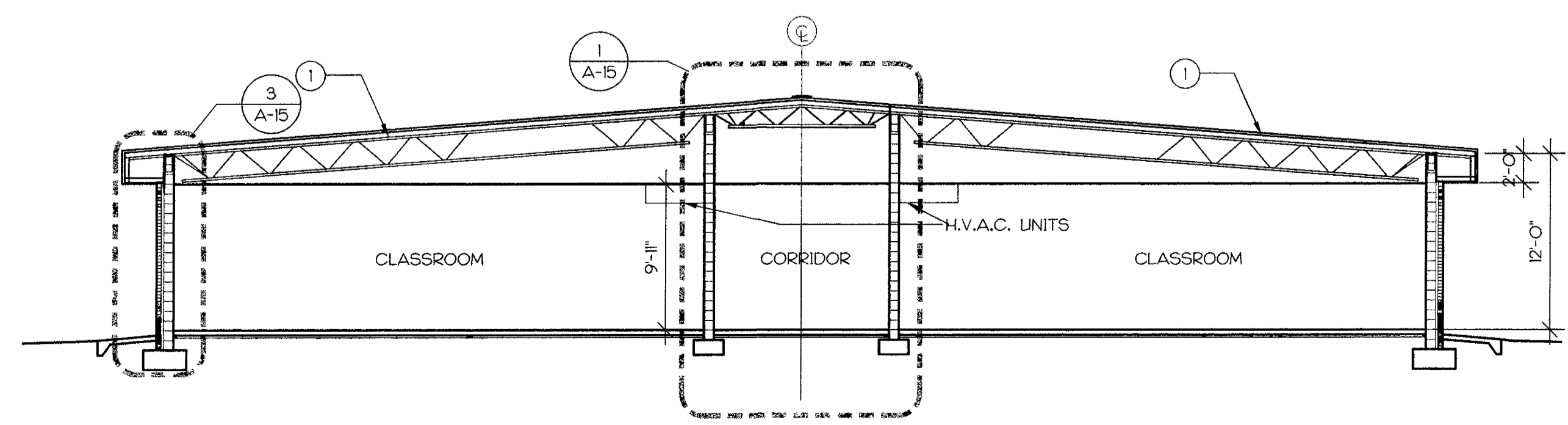
**3** BUILDING SECTION  
1/8" = 1'-0"



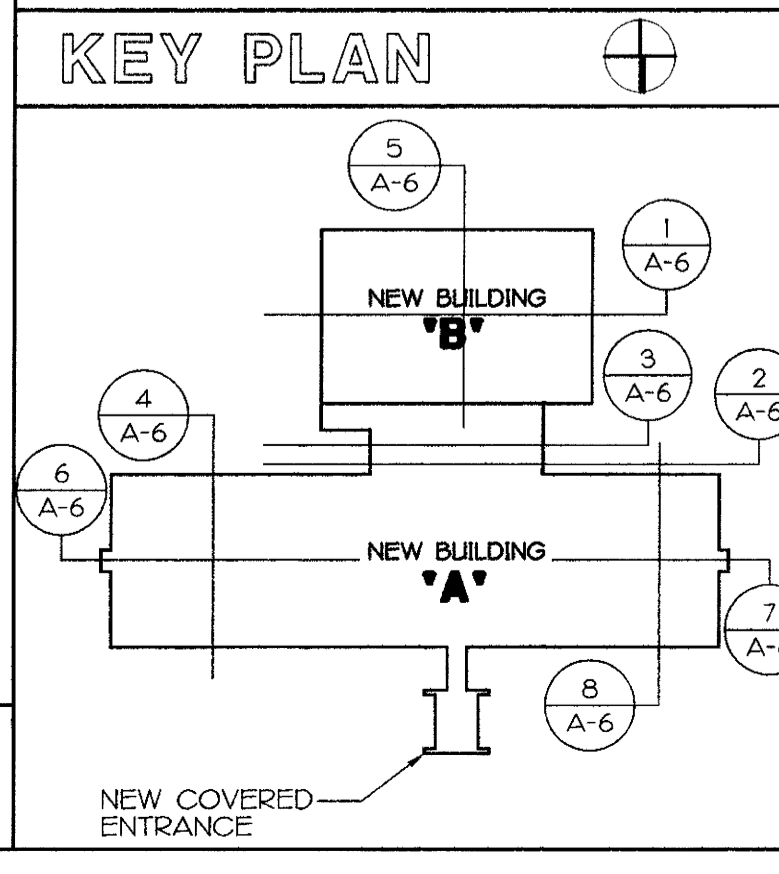
**7** LONGITUDINAL BUILDING SECTION • CORRIDOR (6&7 GRADE CLRM WING)  
1/8" = 1'-0"



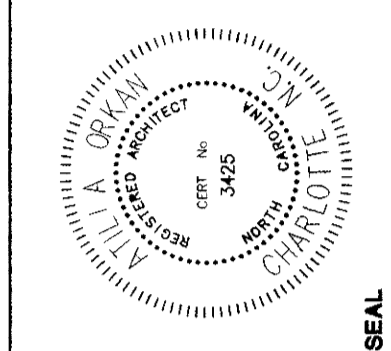
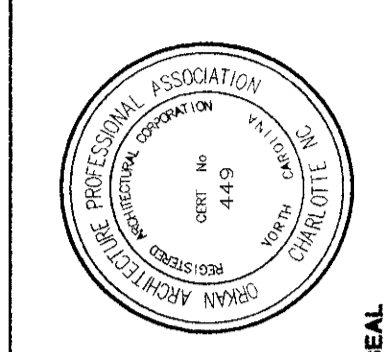
**4** BUILDING SECTION • CLASSROOM  
1/8" = 1'-0"



**8** BUILDING SECTION • SCIENCE ROOM  
1/8" = 1'-0"



NOTE: SEE DWG A-7 FOR LEGEND



OCMA ARCHITECTURE, P.A. OFFICE PREPARED THIS DRAWING IN ACCORDANCE WITH THE REQUIREMENTS OF THE NORTH CAROLINA ARCHITECTURE ACT AND THE NORTH CAROLINA PROFESSIONAL ASSOCIATION OF ARCHITECTS. THE ARCHITECT ASSURES THAT THIS DRAWING IS A TRUE AND CORRECT REPRESENTATION OF HIS OR HER DESIGN AND THAT HE OR SHE IS A LICENSED ARCHITECT IN THE STATE OF NORTH CAROLINA. THE ARCHITECT'S LIABILITY IS LIMITED TO THE PROFESSIONAL SERVICES PROVIDED BY HIM OR HER AND DOES NOT EXTEND TO THE DESIGN OR CONSTRUCTION OF ANY STRUCTURE OR THE PERFORMANCE OF ANY CONTRACT. THE ARCHITECT'S LIABILITY IS LIMITED TO THE PROFESSIONAL SERVICES PROVIDED BY HIM OR HER AND DOES NOT EXTEND TO THE DESIGN OR CONSTRUCTION OF ANY STRUCTURE OR THE PERFORMANCE OF ANY CONTRACT. THE ARCHITECT'S LIABILITY IS LIMITED TO THE PROFESSIONAL SERVICES PROVIDED BY HIM OR HER AND DOES NOT EXTEND TO THE DESIGN OR CONSTRUCTION OF ANY STRUCTURE OR THE PERFORMANCE OF ANY CONTRACT.

