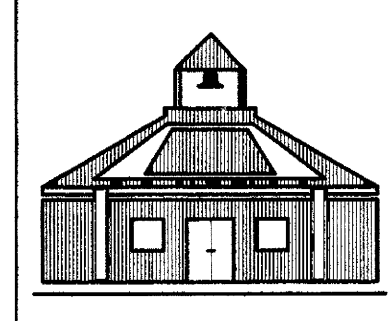
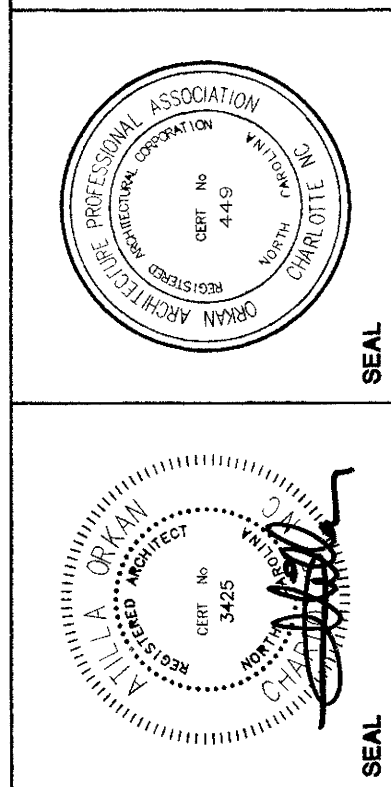
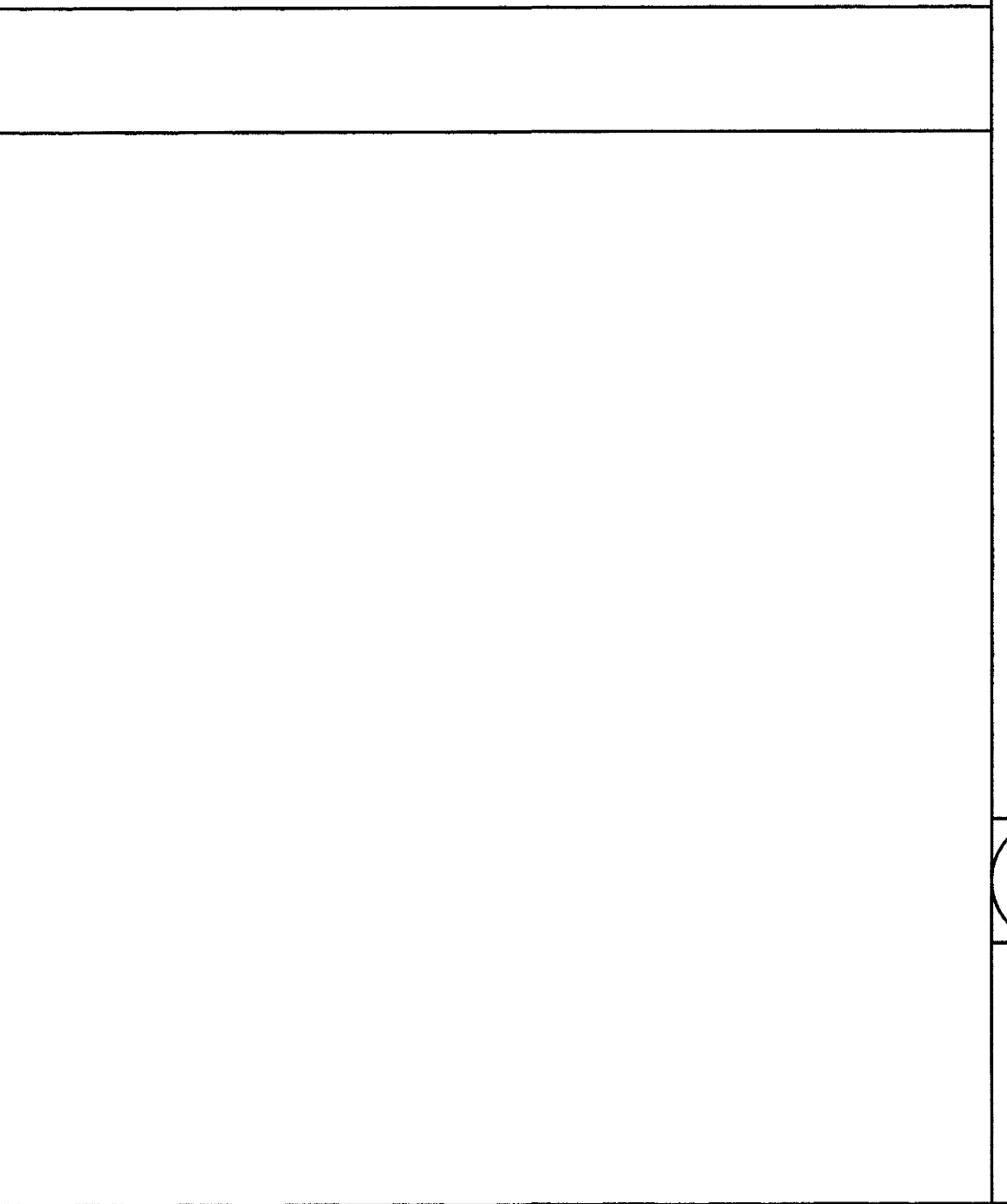
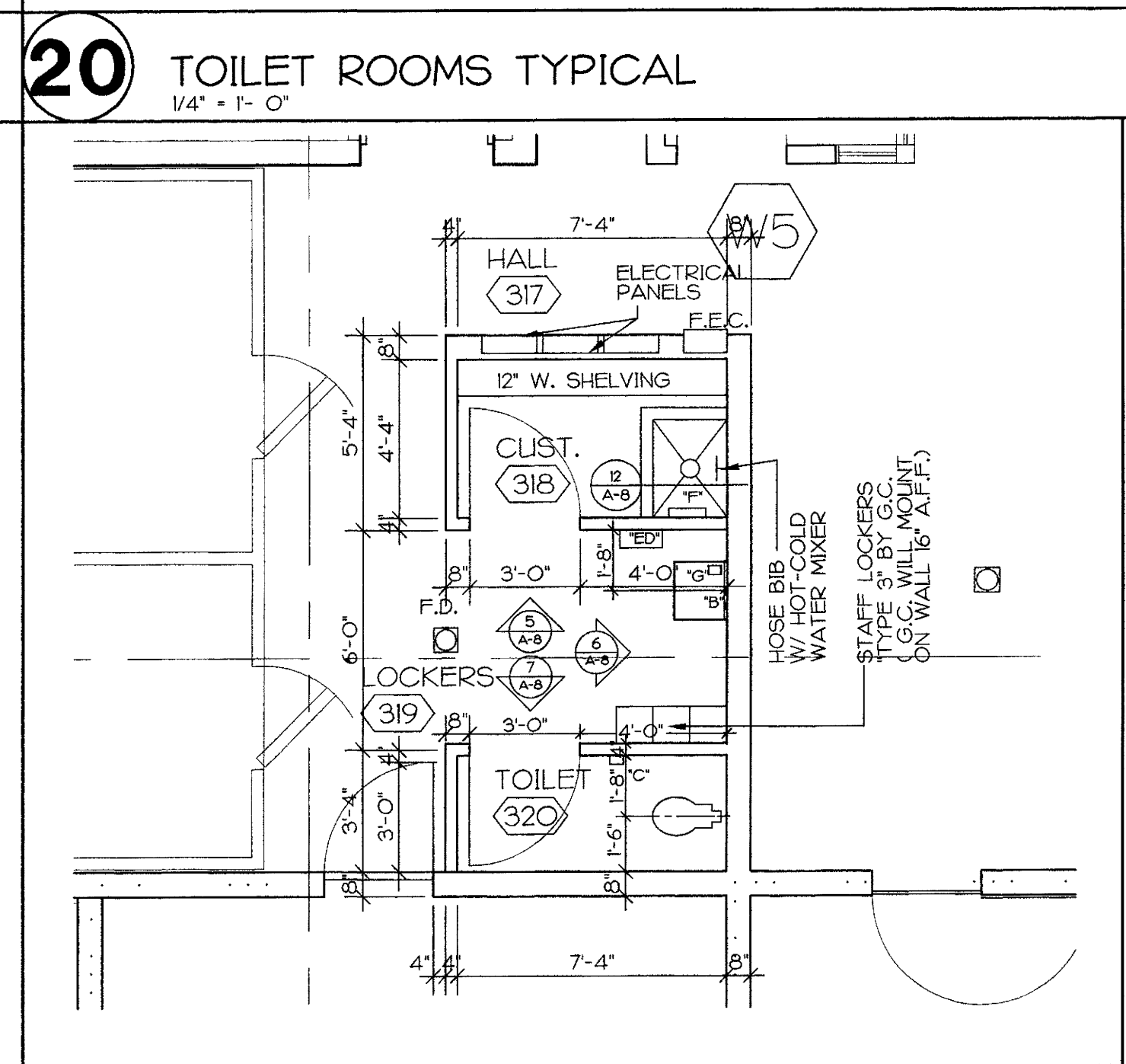
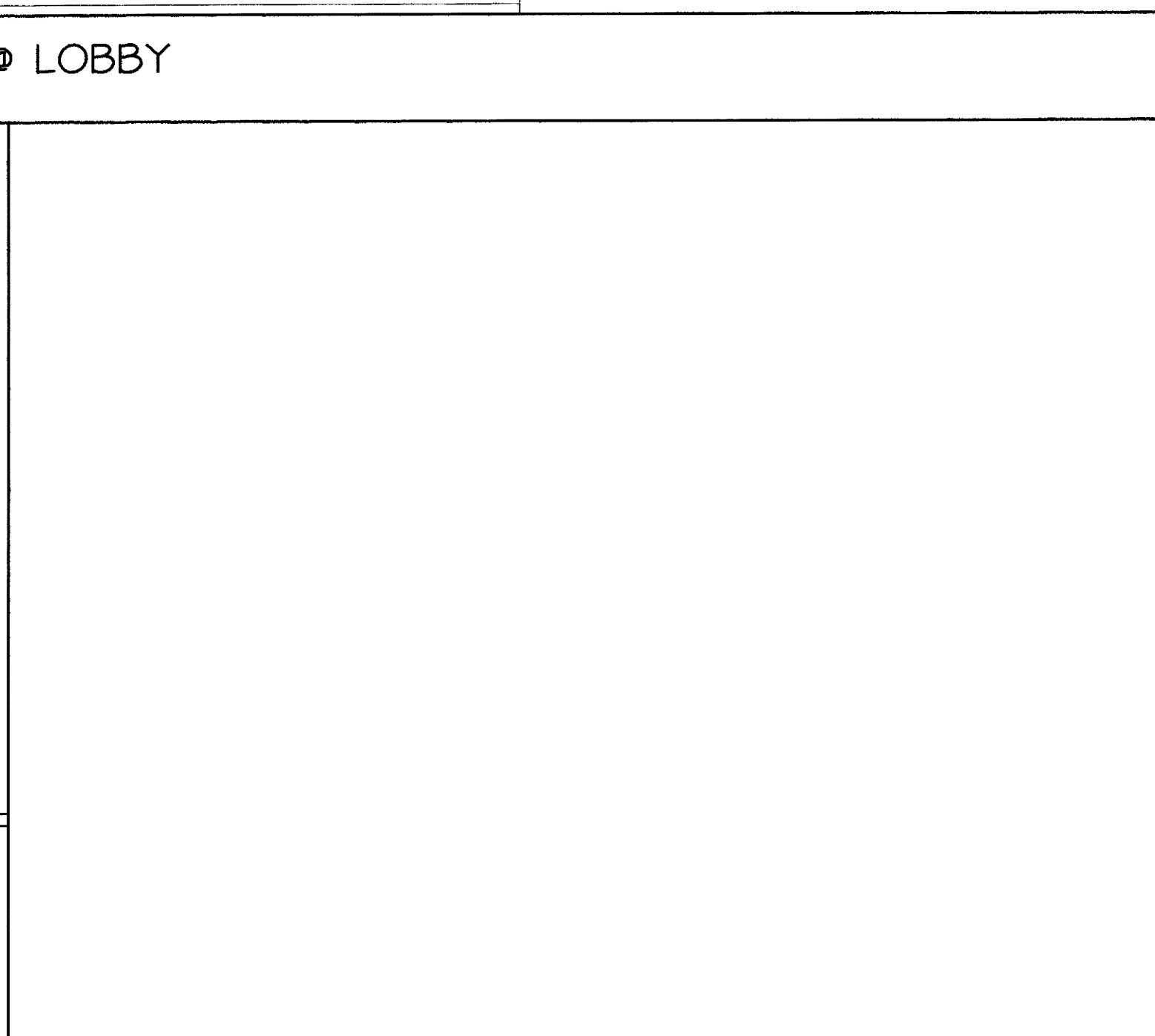
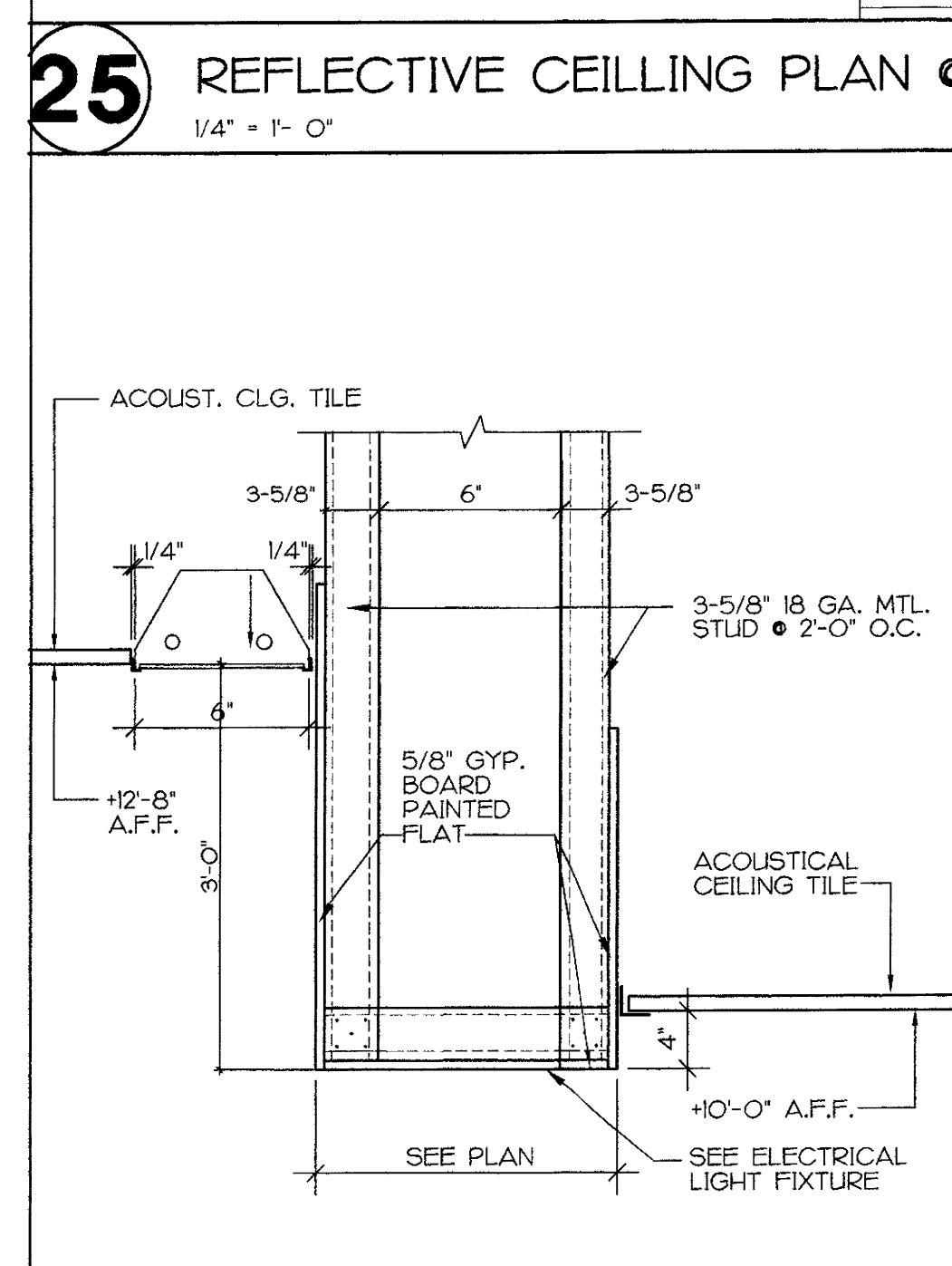
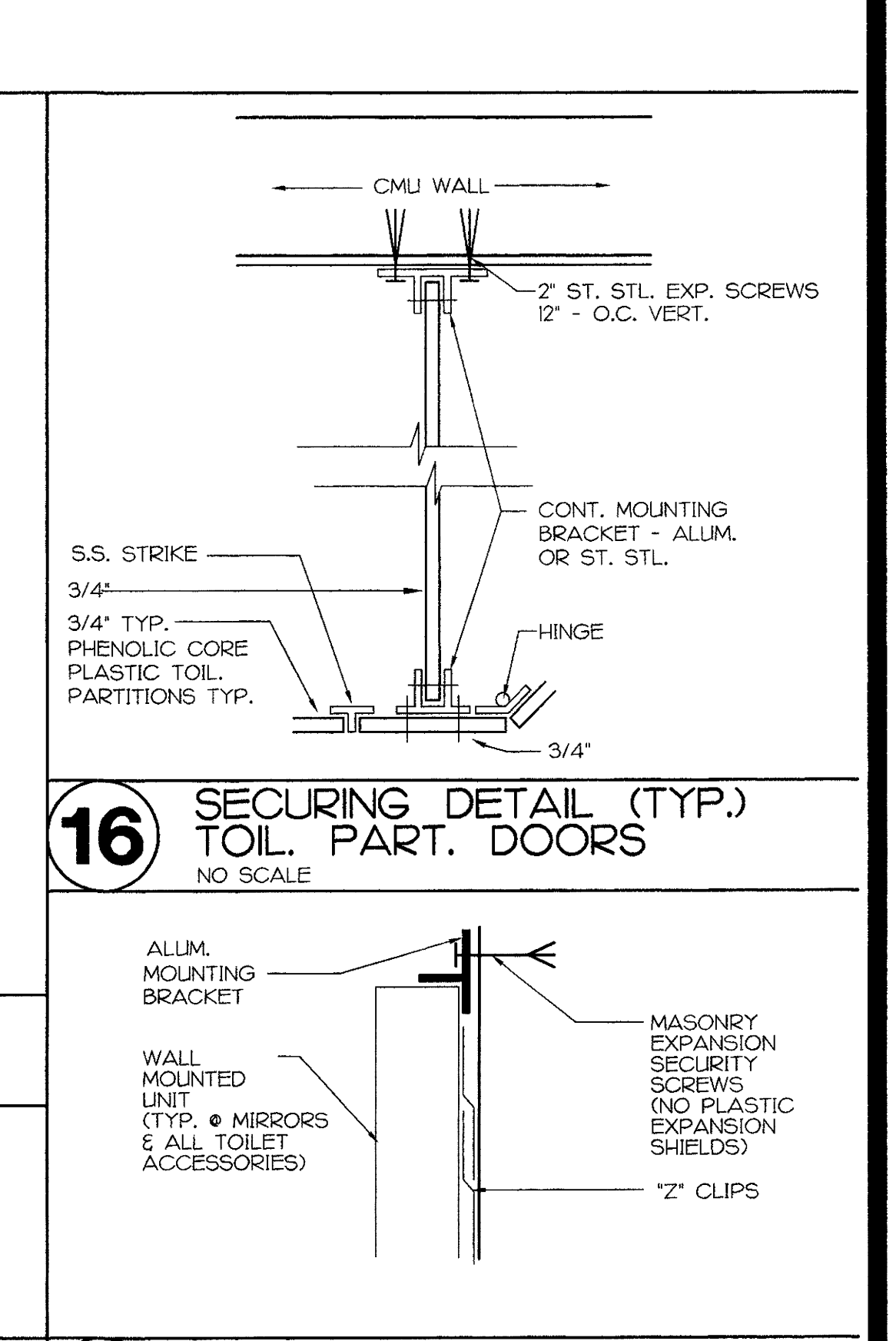
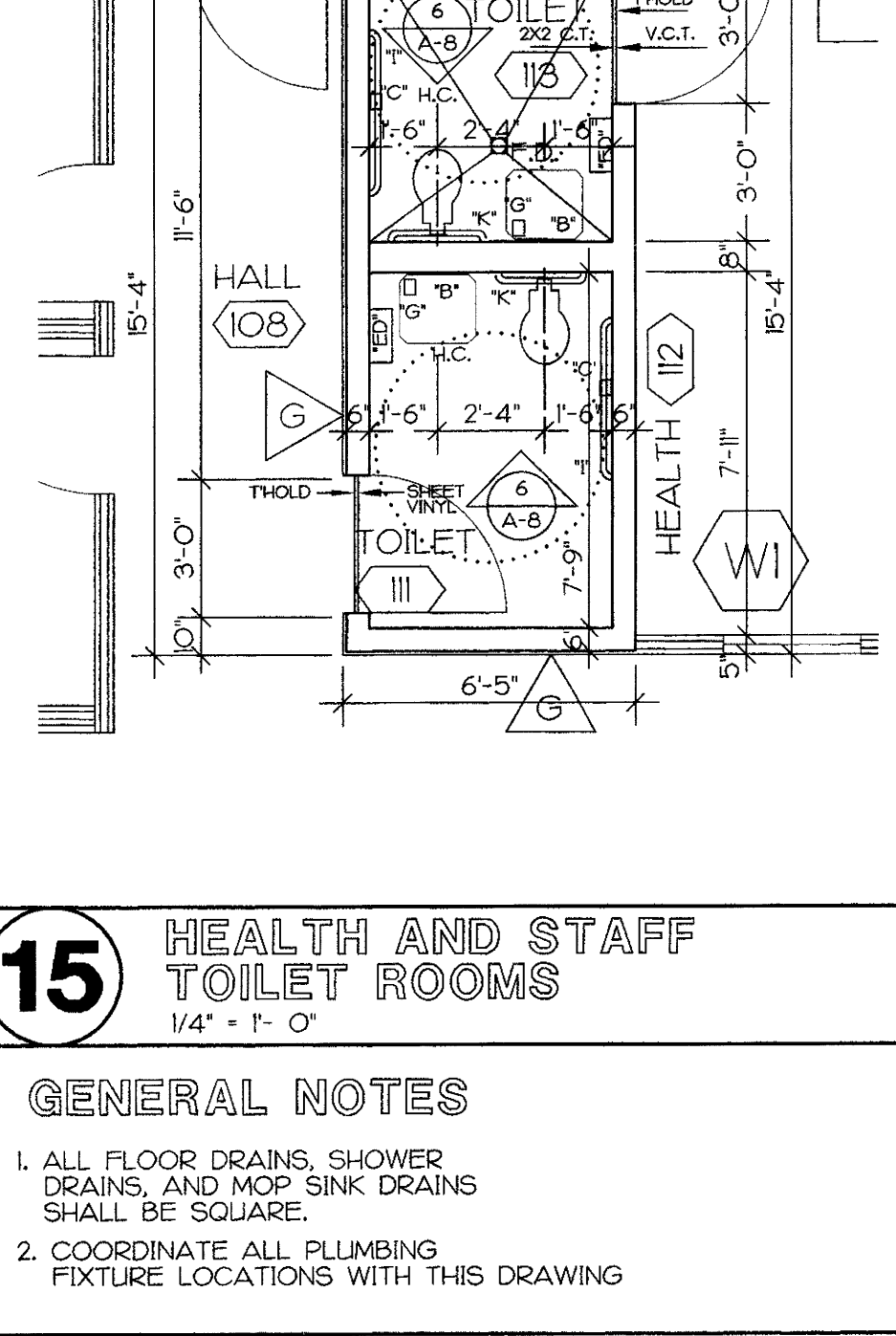
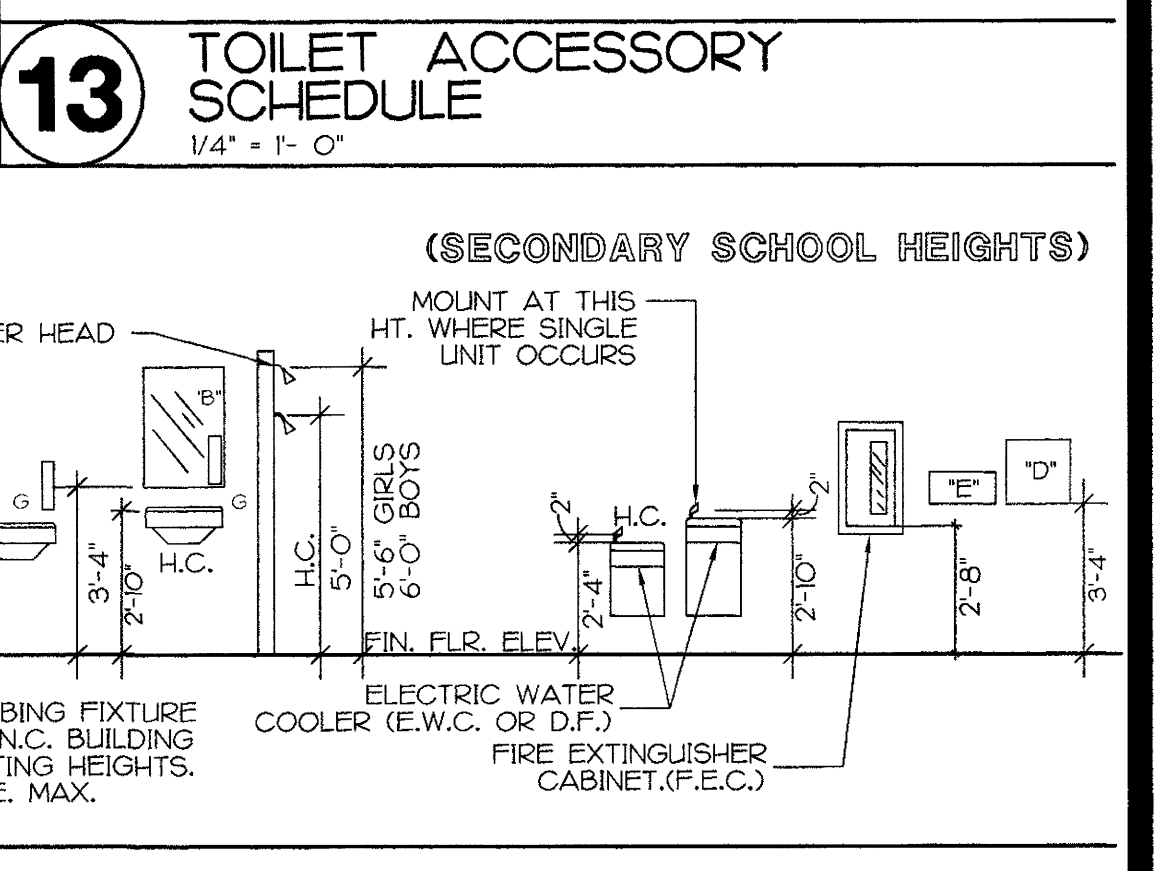
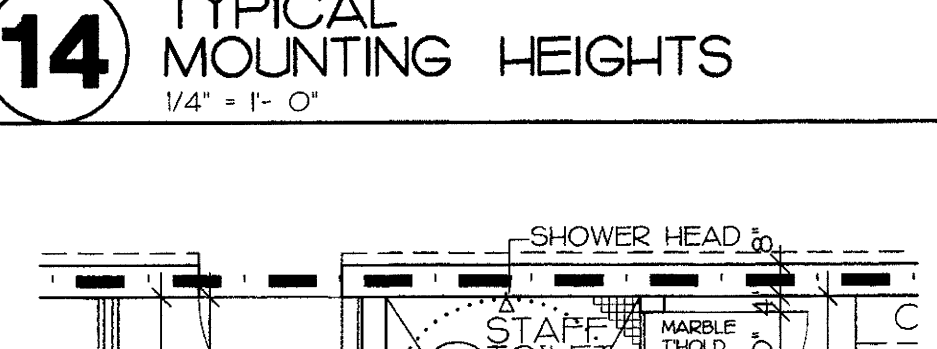
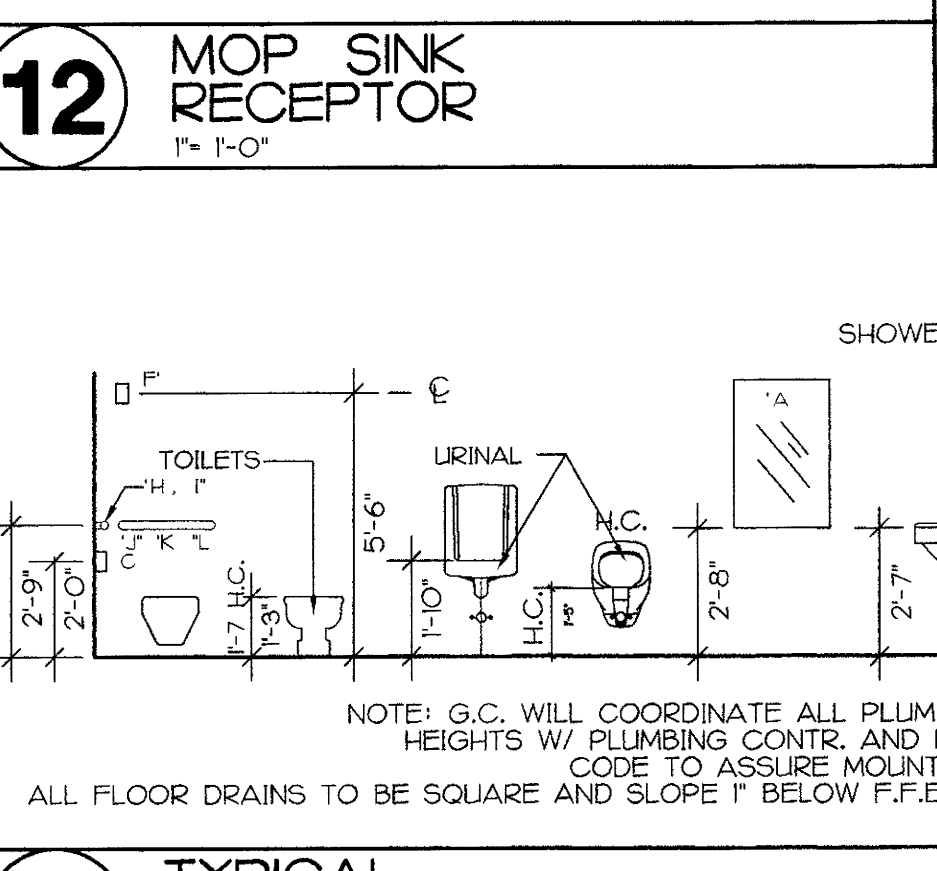


TOILET ACCESSORY SCHEDULE

Item	Description	Installation
A	MIRROR 24"X48"H	BY OWNER
B	MIRROR 18"X30"H	BY OWNER
C	TOILET TISSUE DISPENSER	RECEIVED BY G.C.
D	PAPER TOWEL DISPENSER	RECEIVED BY G.C.
ED	ELECTRIC HAND DRYER	RECEIVED BY G.C.
F	PAPER TOWEL DISPENSER	RECEIVED BY G.C.
F	MOP & BROOM HOLDER	BY OWNER
G	SOAP DISPENSER	BY OWNER
H	GRAB BARS-54"	BY OWNER
I	GRAB BARS-42"	BY OWNER
J	GRAB BARS-36"	BY OWNER
K	GRAB BARS-24"	BY OWNER
L	GRAB BARS-36" X 54"	BY OWNER
M	ROBE HOOK	BY OWNER
N	SHOWER ROD AND CURTAIN	BY OWNER
O	DOOR BUMPER	BY OWNER

* PROVIDE/INSTALL PAPER TOWEL DISPENSER & SOAP DISPENSER AT ALL LAVATORIES & SINKS TYP. THROUGHOUT
 **SEE SPEC. SEC. 10800 - TOILET ACCESSORIES



DRAWN BY	APPROVED BY
V.B.G.	A.O.
JOB NO.	AMS-97103
APPROVAL DATE	APR 21, '98
BD ISSUE DATE	APR 28, '98
REVISIONS	
	A-1/8
SHEET	A-8
OF	28
CADD UPDATE	04/29/98 - 8/23