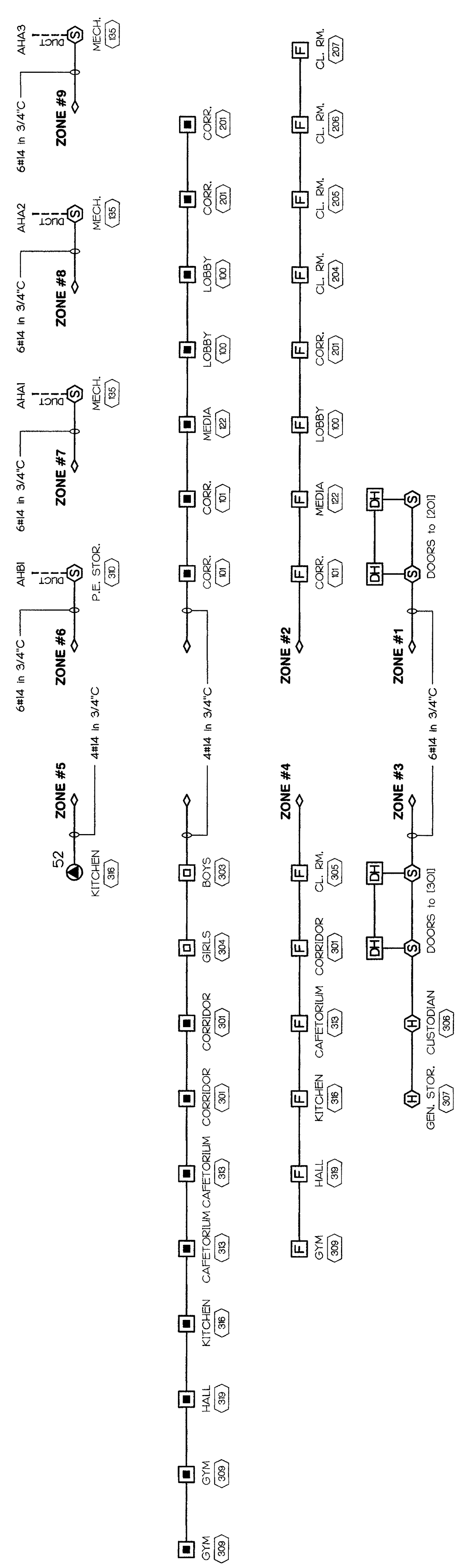


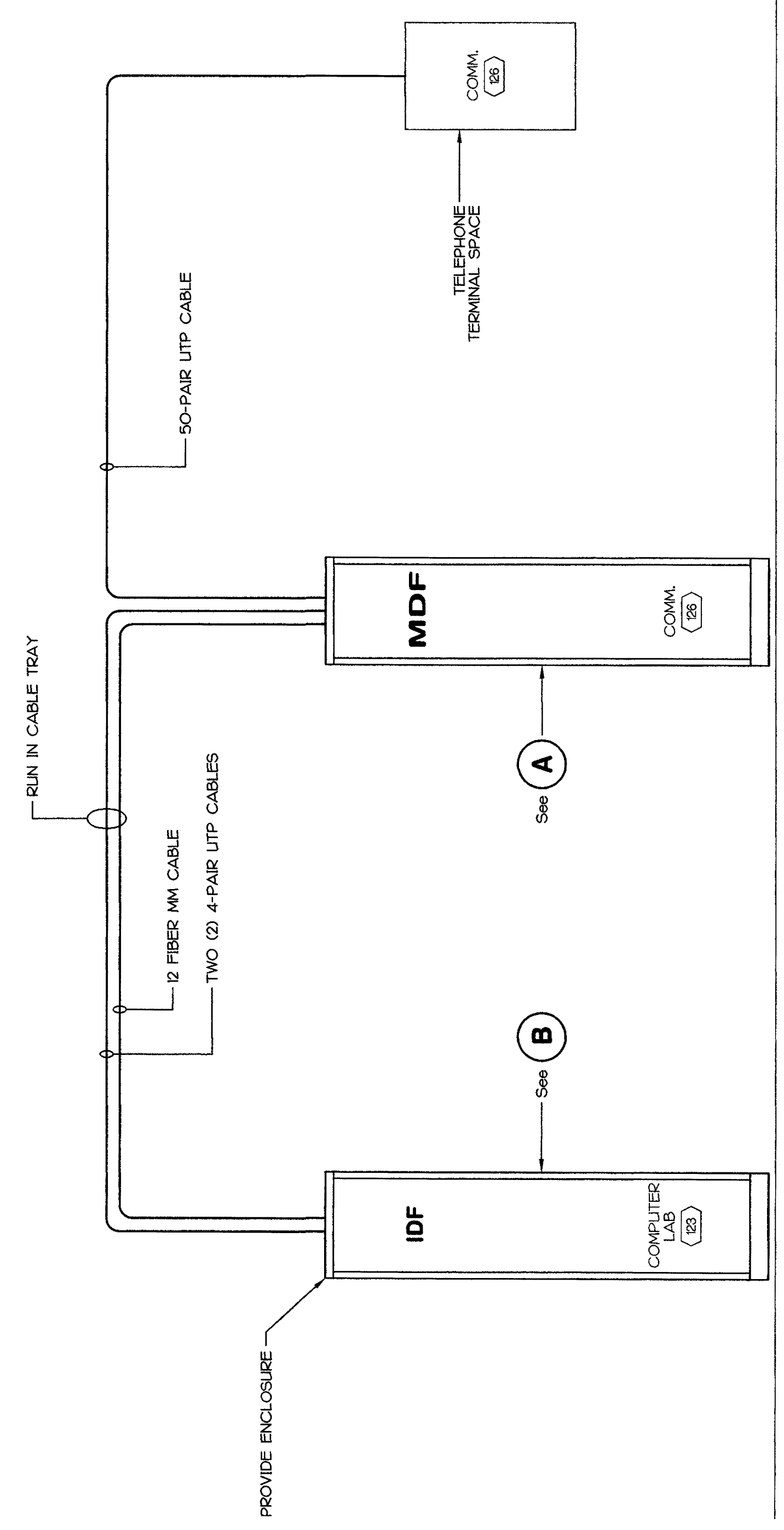
2 TYPICAL COMMUNICATIONS DROPS
Not To Scale



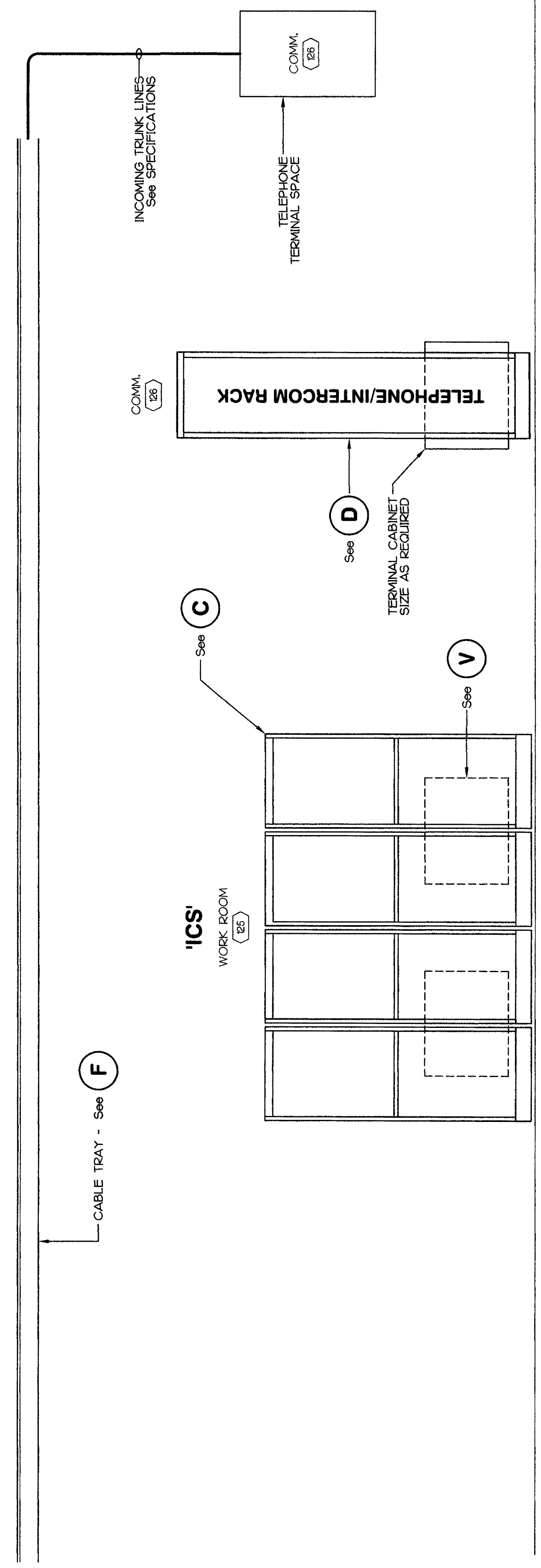
1 FIRE ALARM RISER DIAGRAM
Not To Scale

NOTES

1. CONTRACTOR SHALL SUBMIT A COMPLETE CONDUIT & WIRING DIAGRAM-See SPECIFICATIONS.
2. ALL CONDUITS SHOWN CONTAIN 2#4 UNLESS NOTED OTHERWISE.
3. MINIMUM CONDUIT SIZE - 3/4\"
4. See 'SYMBOL SCHEDULE' & SPECIFICATIONS FOR FIRE ALARM DEVICES.



3 COMPUTER INFRASTRUCTURE RISER DIAGRAM
Not To Scale



4 TELEPHONE/INTERCOM/INTEGRATED COMMUNICATIONS SYSTEM RISER DIAGRAM
Not To Scale

