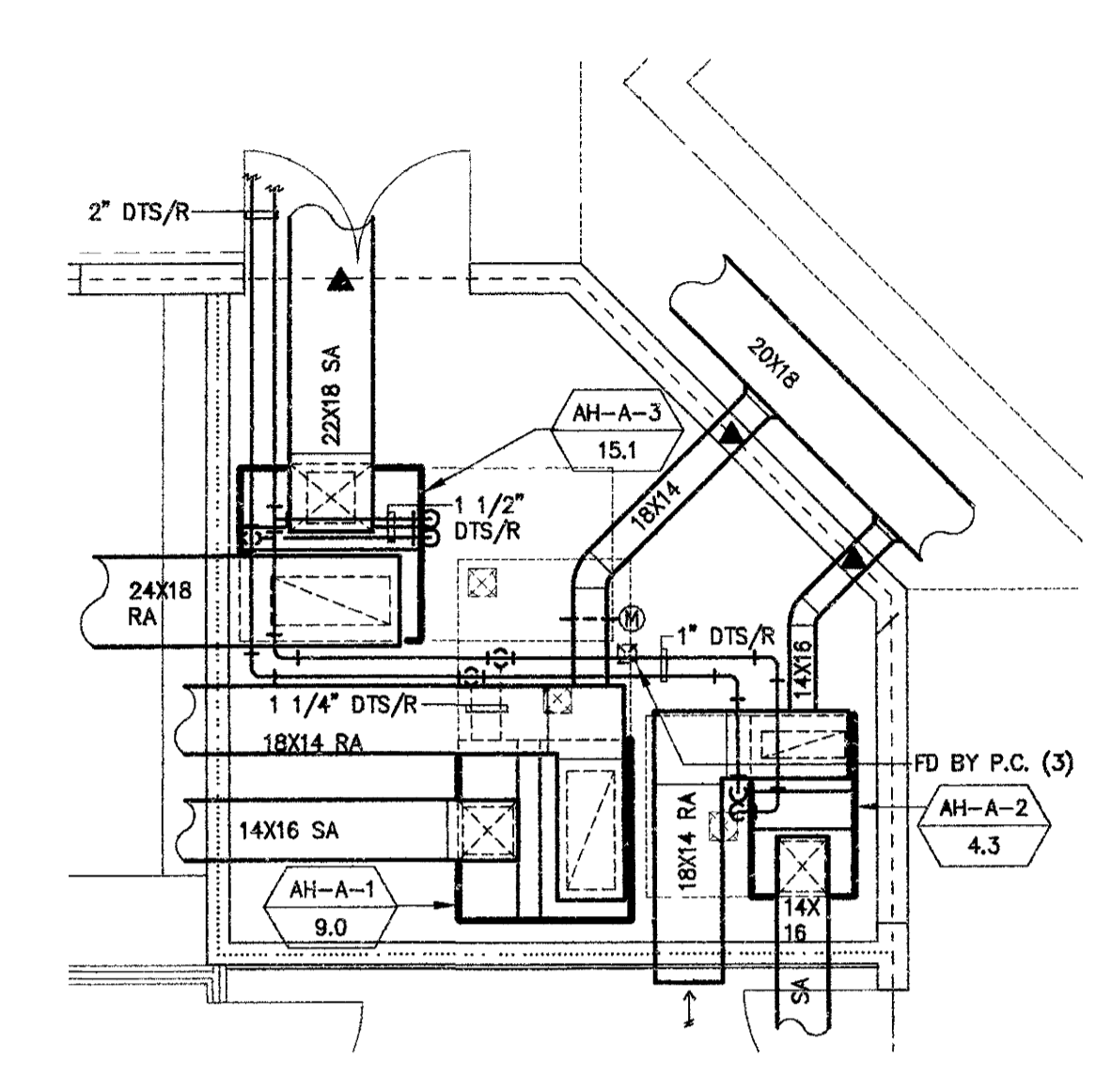


1 PARTIAL FLOOR PLAN "A"  
M-1 1/8"=1'-0"

FIRE RATED WALLS

---	1 HOUR WALL
- - -	2 HOUR WALL
---	4 HOUR WALL



3 MECHANICAL ROOM 135  
M-1 1/4"=1'-0"

MECHANICAL EQUIPMENT LEGEND

SYMBOL	DESCRIPTION	SYMBOL	DESCRIPTION
[Symbol]	LOW OR MEDIUM PRESSURE DUCTWORK	[Symbol]	MEDIUM PRESSURE DUCTWORK
[Symbol]	DUCT TAKE-OFF: CONICAL	[Symbol]	DUCT TAKE-OFF: RECTANGULAR
[Symbol]	FLEX DUCTWORK	[Symbol]	TEE: LONG RADIUS
[Symbol]	ELBOW W/TURNING VANES	[Symbol]	TEE: W/TURNING VANES
[Symbol]	LONG RADIUS ELBOW	[Symbol]	EXHAUST DUCT SECTION
[Symbol]	EXHAUST DUCT SECTION	[Symbol]	SUPPLY DUCT SECTION
[Symbol]	OUTSIDE AIR DUCT SECTION	[Symbol]	OUTSIDE AIR DUCT SECTION
[Symbol]	RETURN/RELIEF AIR DUCT SECTION	[Symbol]	SHORT RADIUS VANED ELBOW
[Symbol]	SHORT RADIUS VANED ELBOW	[Symbol]	MISCELLANEOUS
[Symbol]	DUCT TAKE-OFF: CONICAL	[Symbol]	THERMOSTAT
[Symbol]	DUCT TAKE-OFF: RECTANGULAR	[Symbol]	HUMIDISTAT
[Symbol]	TEE: LONG RADIUS	[Symbol]	SMOKE DAMPER
[Symbol]	TEE: W/TURNING VANES	[Symbol]	SMOKE DETECTOR
[Symbol]	1" TAKE-OFF WITH SPLITTER DAMPER	[Symbol]	CONDENSATE DRAIN
[Symbol]	2-SIDED DUCT	[Symbol]	BACKDRAFT DAMPER
[Symbol]		[Symbol]	MOTOR OPERATED DAMPER
[Symbol]		[Symbol]	DAMPER
[Symbol]		[Symbol]	MANUAL SWITCH
[Symbol]		[Symbol]	SUMMER/WINTER SWITCH
[Symbol]		[Symbol]	TOP OF PIPE
[Symbol]		[Symbol]	BOTTOM OF PIPE
[Symbol]		[Symbol]	TOP OF DUCT
[Symbol]		[Symbol]	BOTTOM OF DUCT
[Symbol]		[Symbol]	ABOVE FINISHED FLOOR
[Symbol]		[Symbol]	UNLESS NOTED OTHERWISE
[Symbol]		[Symbol]	FIRE DAMPER

GRILLE & DIFFUSER SCHEDULE

SYMBOL	TYPE	USE	CFM RANGE	NECK SIZE	OVER-ALL SIZE	DAMPER	FINISH	FRAME	MODEL	REMARKS	
A--	LOUVER FACE	SUPPLY	SEE PLANS & RMK 5	RMK 5	RMK 4	0BD	OFF WHITE	RMK 3	SK	1-5, 8	
B--	SUPPLY 1-WAY									1-5	
C--	SUPPLY 2-WAY									1-5	
D--	SUPPLY 3-WAY									1-5	
E--	SUPPLY 4-WAY									1-5	
F-2	LINEAR	SUPPLY	80/FT (MAX)	(2) 3/4" Lx 2X SLOTS 4"					CHDB CHANNELAIRE	1-4,16,17	
F-3			100/FT (MAX)	(3) 3/4" Lx 2X SLOTS 6"							
F-4			140/FT (MAX)	(4) 3/4" Lx 2X SLOTS 8"							
F-5			180/FT (MAX)	(5) 3/4" Lx 2X SLOTS 9"							
F-6			200/FT (MAX)	(6) 3/4" Lx 2X SLOTS 11"							
F-7			240/FT (MAX)	(7) 3/4" Lx 2X SLOTS 12"							
F-8			280/FT (MAX)	(8) 3/4" Lx 2X SLOTS 14"							
GS	SIDEWALL	SUPPLY	SEE PLANS	SEE PLANS	RMK 4	0BD	OFF WHITE	RMK 14	S	RTDAH	1-4,9,10,14,24
HS	LINEAR SIDEWALL	SUPPLY		Lx 2X	RMK 2	0BD	OFF WHITE	RMK 3		TRIMMARE CWGBD	1-4, 16, 19
IT	FILTER GRILLE	RETURN	0-970	21X21	RMK 7	NO	OFF WHITE	1"	RSLAH - FGTB	1-3, 20-22	
J--	PERF	RETURN/EXHAUST	SEE PLANS & RMK 6	RMK 6	RMK 4	RMK 15	OFF WHITE	RMK 3	SPRB, SURF. MTD. = SPFA	1-4,6,11,15,18	
KS	SIDEWALL	RETURN/EXHAUST	SEE PLANS	SEE PLANS	RMK 4	RMK 15	OFF WHITE	RMK 14	S	RSLAH	1-4,14,15,24
L--	PERF	EXHAUST	1300-2600	RMK 6	2'x4'	RMK 15	OFF WHITE	RMK 3	SPRB, SURF. MTD. = SPFA	1-3,6,11,15,18	
M--	EGGCRATE	RETURN	SEE PLANS	SEE PLANS	RMK 4	RMK 15	OFF WHITE	S	RAPAF	1-4,7	
NS	HEAVY SIDEWALL	RETURN	SEE PLANS	SEE PLANS	RMK 4	NO	OFF WHITE	RMK 14	STUROCORE	1-4,12,14	
OS	LINEAR SIDEWALL	SUPPLY	SEE PLANS	SEE PLANS	RMK 4	0BD	OFF WHITE	RMK 14	S	CSD-40	1-4, 13, 16
PT	FILTER GRILLE	RETURN	980-2140	45X21	RMK 7	NO	OFF WHITE	T	RSLAH - FGTB	1-3, 20, 21, 23	

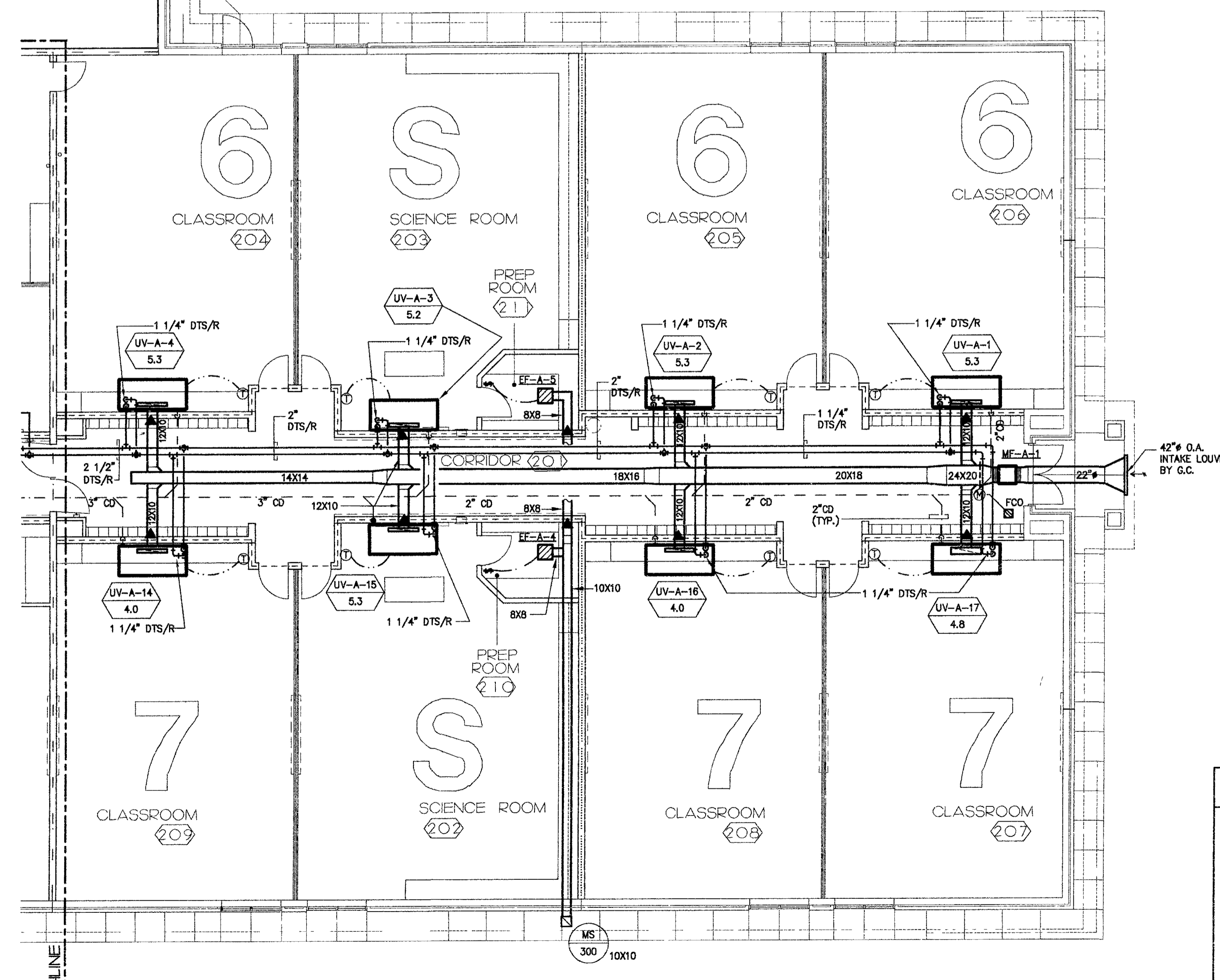
REMARKS:  
 1. EQUALS BY METALRE, TTUS, SCHEDULE IS GENERAL. NOT ALL SHOWN ARE NECESSARILY USED.  
 2. SYMBOL EXPLANATION:  
 GRILLE TYPE, USE  
 3. FRAME TYPES, USE  
 T = T-BAR  
 S = SURFACE MOUNT  
 E = DUCT MOUNTED  
 NOTE: CONTRACTOR TO VERIFY FRAME/CILING COMPATIBILITY.  
 4. OVERALL SIZE = 2"X2" LAY-IN, NECK SIZE + 2" (APPROX.) OTHER GRILLES.  
 5. LOUVER FACE, SUPPLY NECK SIZES:  

NO.	SIZE (INCH)	CFM	NO.	SIZE (INCH)	CFM
A	6"	100	H	6 1/2"	125
B	8"	175	I	9 1/2"	280
C	9 1/2"	200	J	12 1/2"	500
D	10"	275	K	14 1/2"	685
E	12"	400	L	16 1/2"	885
F	14"	535	M	18 1/2"	1125
G	16"	700	N	24 1/2"	2000

 6. PERFORATED EXHAUST/RETURN NECK SIZES:  

NO.	SIZE (INCH)	CFM	NO.	SIZE (INCH)	CFM
A	6"	8 1/2"	H	6 1/2"	220
B	8"	175	I	10 1/2"	345
C	10"	275	J	12 1/2"	500
D	10 1/2"	275	K	14 1/2"	685
E	12"	400	L	16 1/2"	885
F	14"	535	M	18 1/2"	1125
G	16"	700	N	22 1/2"	1680
			O	22 1/2"	2600

 7. IF LAY-IN CEILING, EXACT GRILLE SIZE BY MFR., OMIT SCREW HOLES.  
 8. ADJUSTABLE HORIZONTAL/VERTICAL  
 9. 0BD NOT REQUIRED IF VOLUME EXTRACTOR USED, SEE DETAIL.  
 10. VOLUME EXTRACTOR WHERE SHOWN ON PLANS.  
 11. NO NECK SIZE INDICATES NON-DUCTED LAY-IN PANEL.  
 12. HEAVY DUTY CONSTRUCTION 40deg. HORIZONTAL BLADE ANGLE  
 13. PAINT TO MATCH FLOOR  
 14. PAINT TO MATCH WALL  
 15. 0BD IF USED AS EXHAUST  
 16. LINEAR DIFFUSER CALLOUTS:  
 L' - ACTIVE LENGTH  
 L - OVERALL LENGTH  
 17. 1.125" BORDER  
 18. ALL ALUMINUM CONSTRUCTION IF SHOWN ON PLANS.  
 19. 0BD NOT REQUIRED UNLESS CALLED OUT ON PLANS.  
 20. HINGED FILTER GRILLE W/2" CLIPS.  
 21. FILTERS: FARK 30-30 UL-CLASS I, 2" THICK, PLEATED.  
 22. (1) 20X20 FILTER.  
 23. (1) 20X20 & (1) 20X24 FILTER.  
 24. HORIZONTAL FRONT BLADES.



2 PARTIAL FLOOR PLAN "A"  
M-1 1/8"=1'-0"

