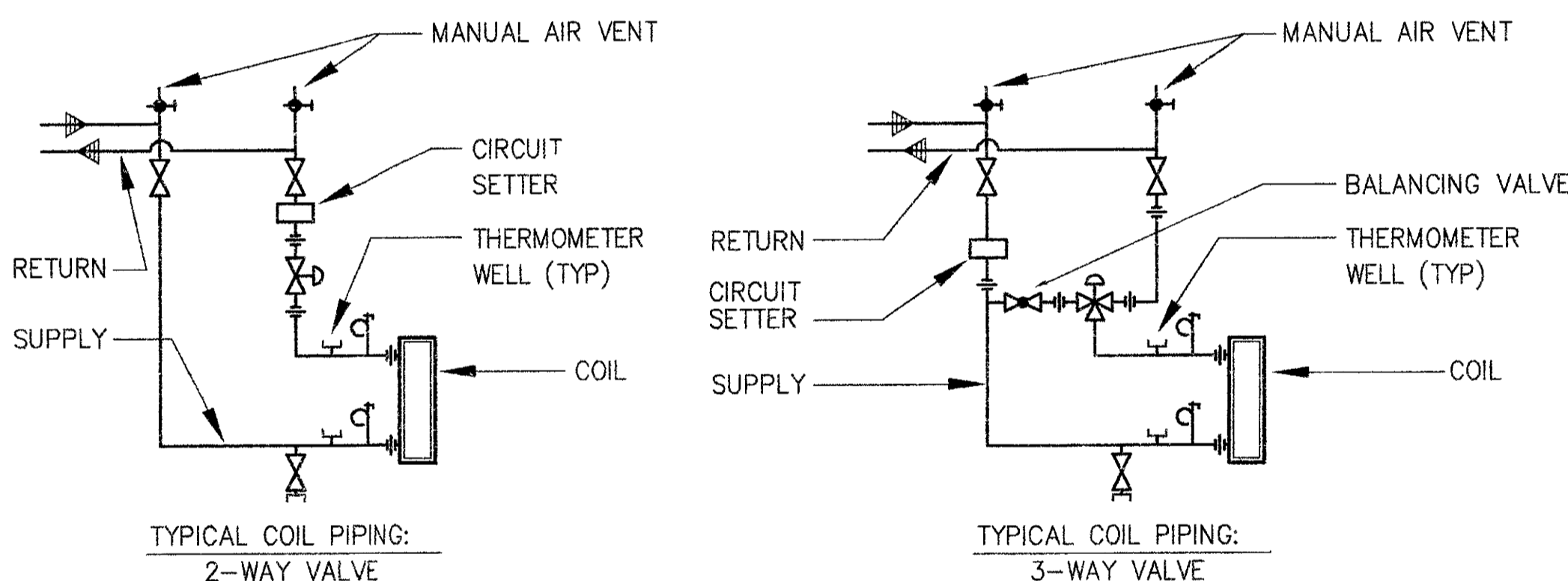
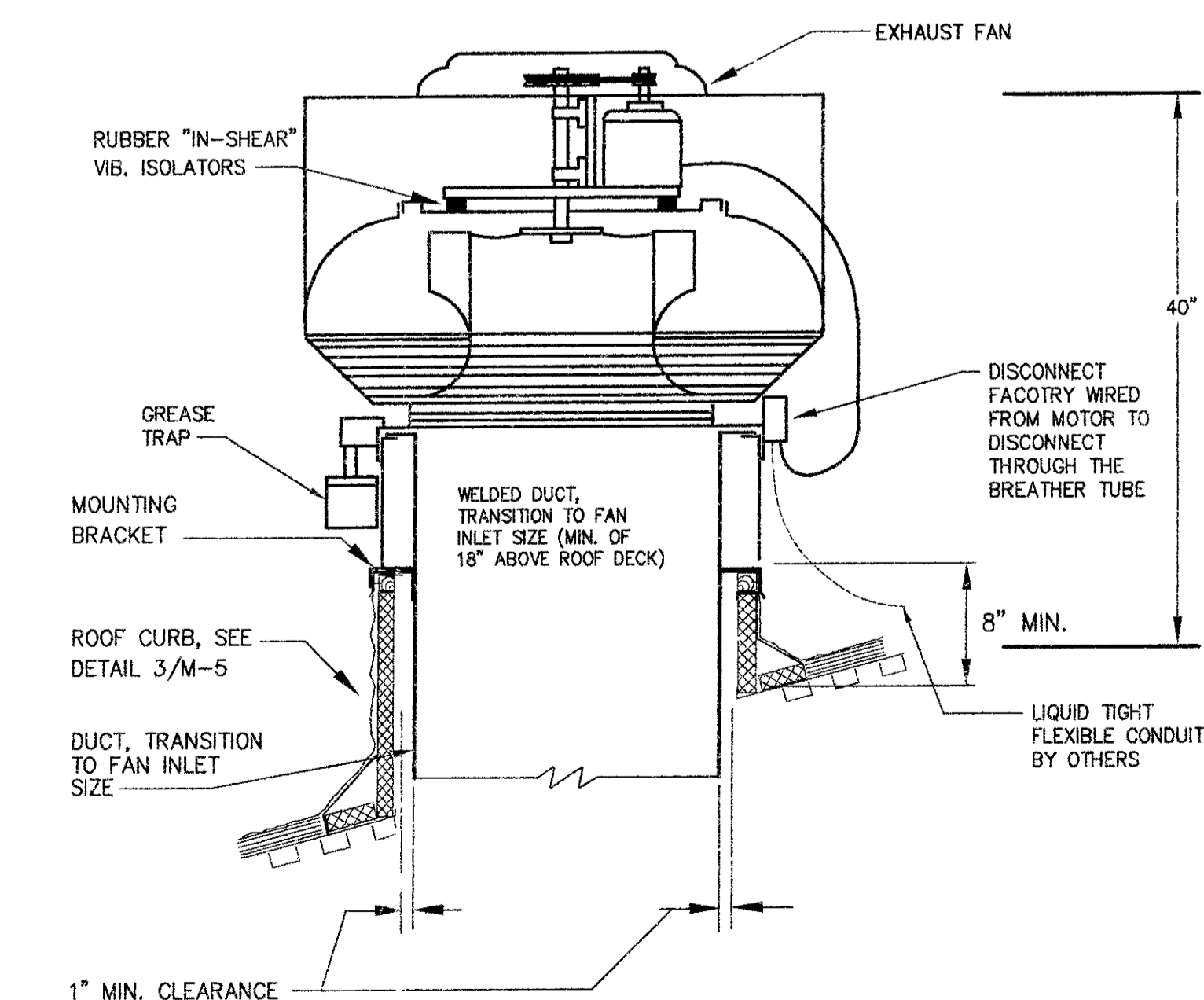


9 PARTIAL SITE PLAN
M-5 1"=30'



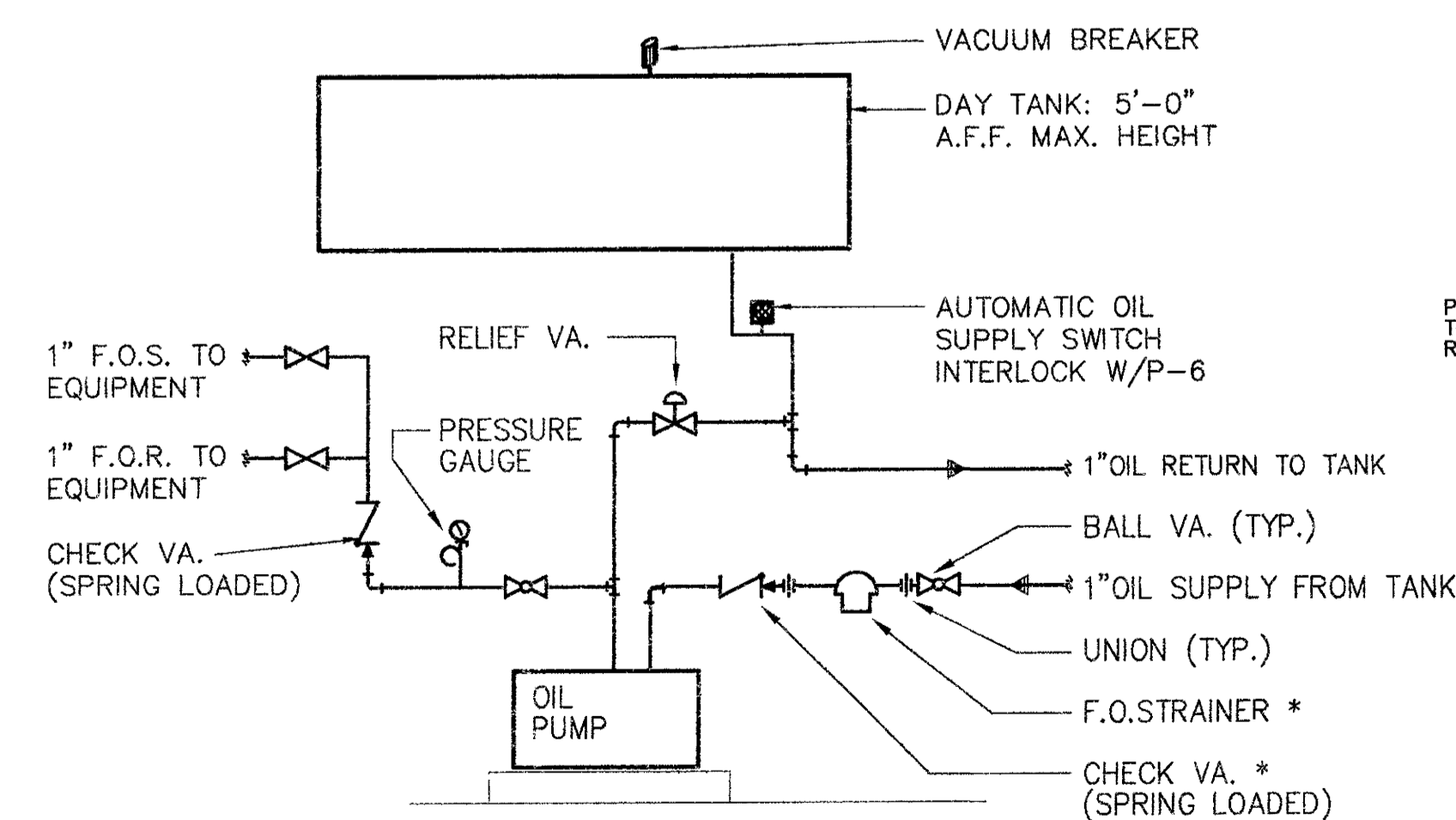
NOTE: FOR UNITS WITH PIPING LESS THAN ONE INCH DIAMETER, IN LIEU OF GAUGE COCK AND SNUBBER THERMOMETER WELL, PROVIDE SISCO PLUG AND ONE SET OF GAUGES.

5 COIL PIPING DETAILS
M-5 NTS



1 KITCHEN EXHAUST FAN DETAIL
M-5 NTS

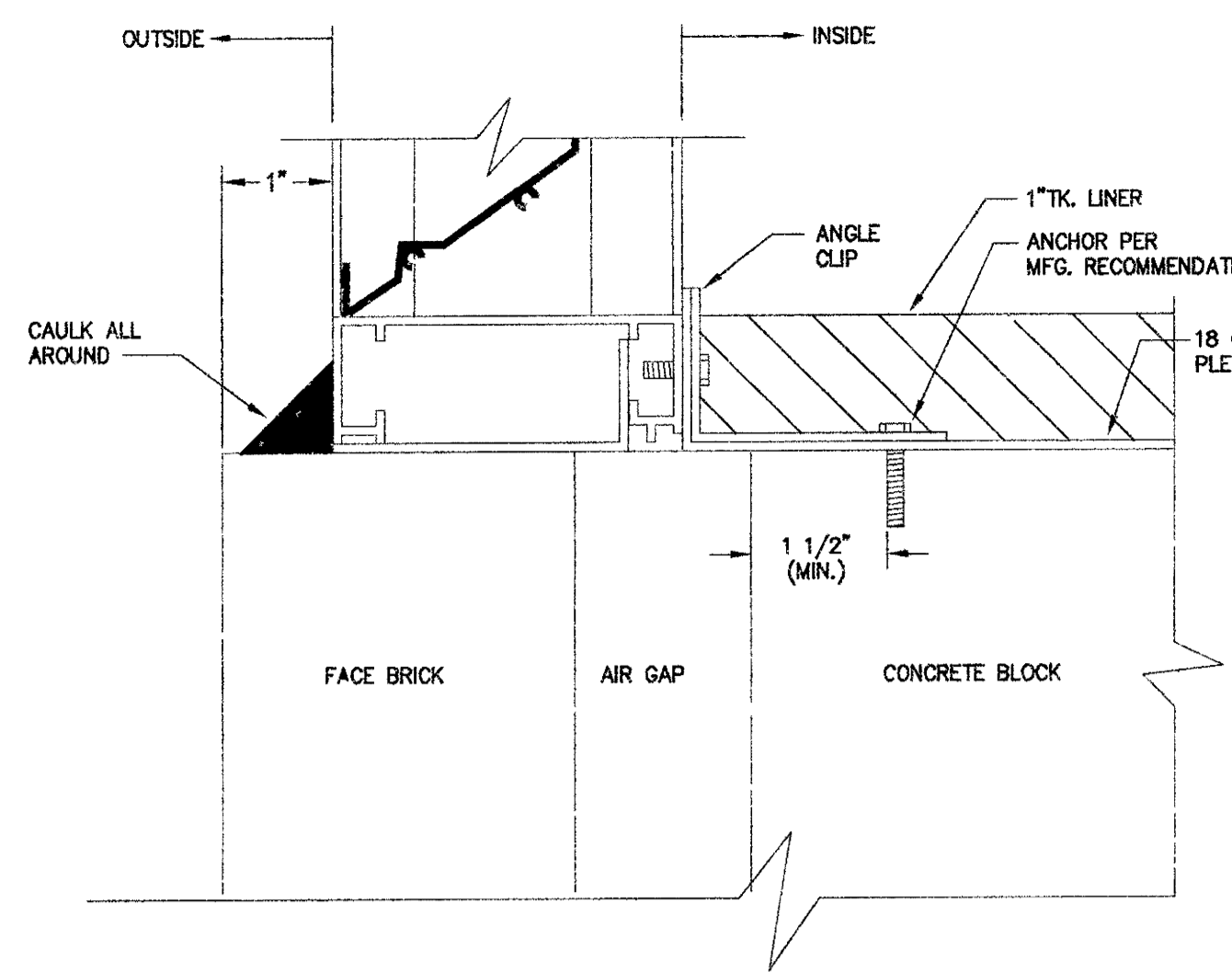
NOTE: FAN TO BE 40" HIGHER THAN ANY OBSTRUCTION WITHIN 10'.



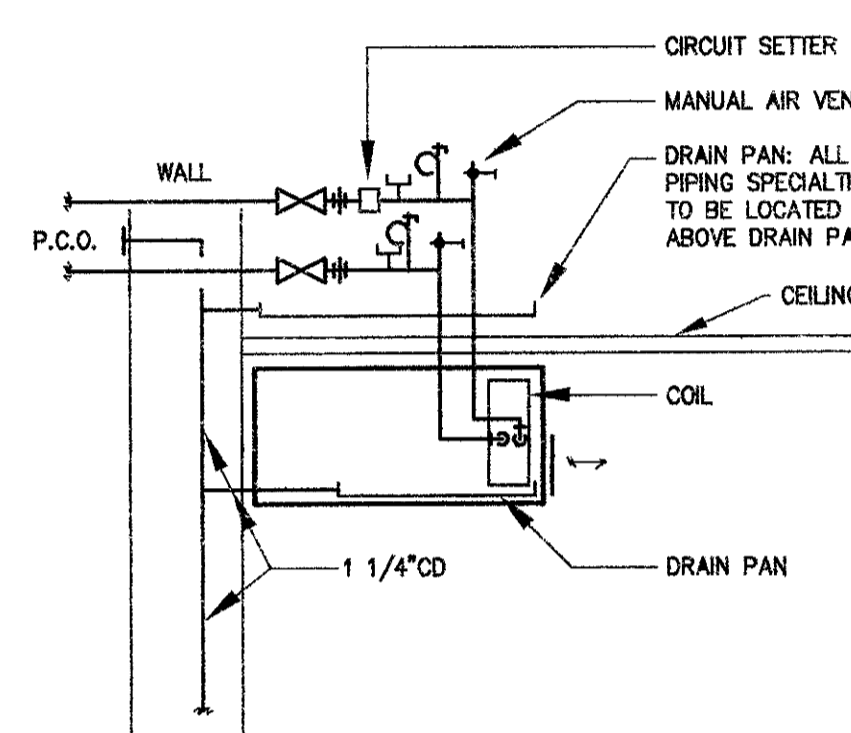
2 OIL PUMP PIPING SCHEMATIC
M-5 NTS

* MAX. ΔP STRAINER PLUS CHECK VALVE = 1"Hg

NOTE: PUMP & DAY TANK BASED ON SID HARVEY SUPPLY PUMPER PACKAGE P239-4, 60 GPH CAPACITY, PUMP TO BE TUTHILL MODEL 00L, 1/4 H.P., 1725 RPM, 115V/1Ø

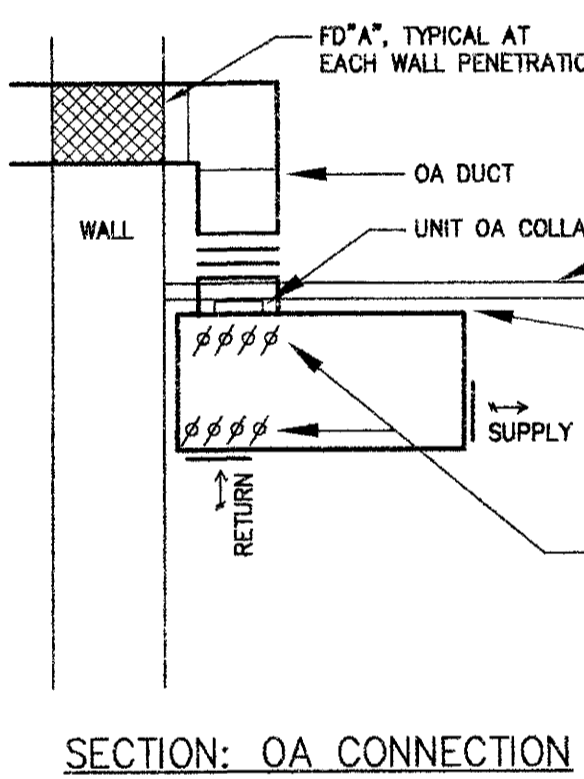
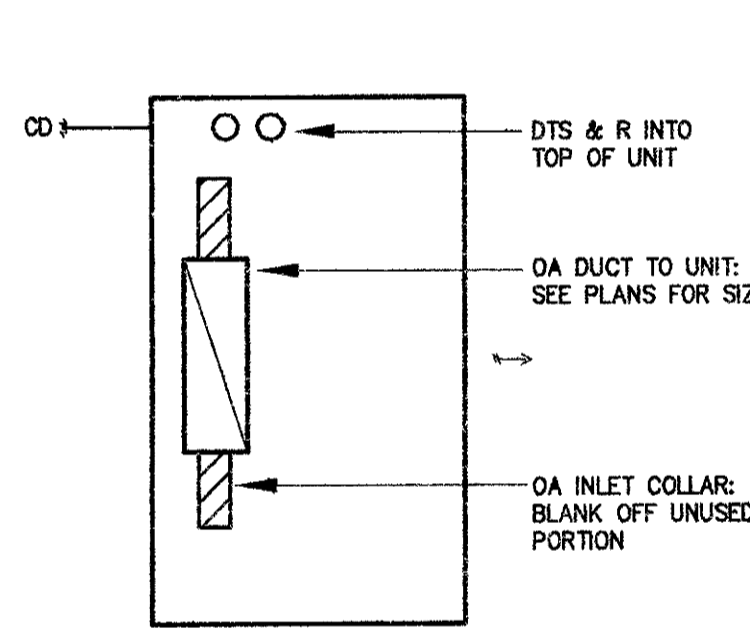


10 LOUVER ATTACHMENT DETAIL
M-5 NTS

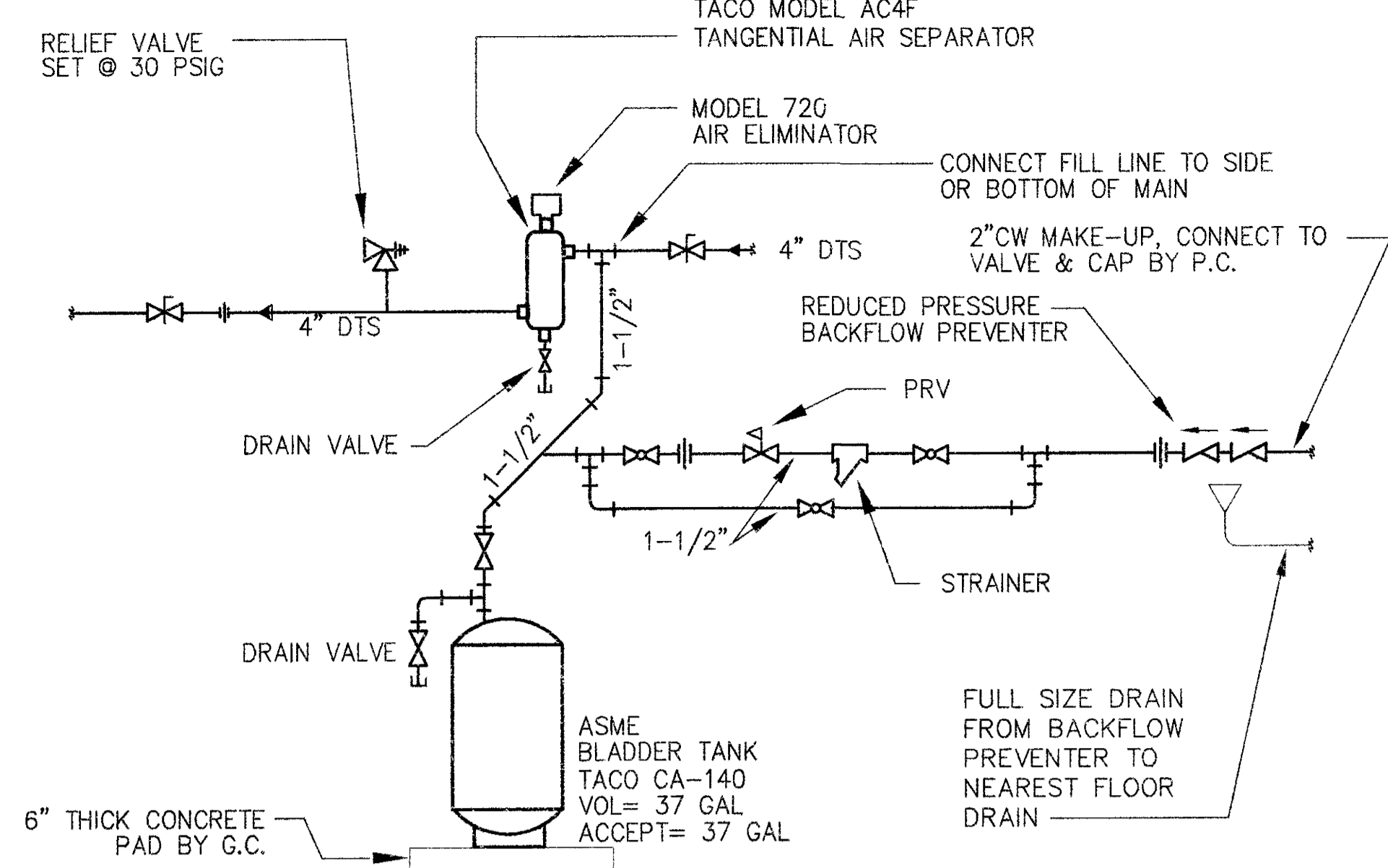


SECTION: PIPING (SEE LEGEND)

PIPING SPECIALTIES MAY BE LOCATED IN UNIT AT CONTRACTOR'S OPTION, PROVIDE EXTENDED DRAIN PAN WITH UNIT IF THIS OPTION IS TAKEN.

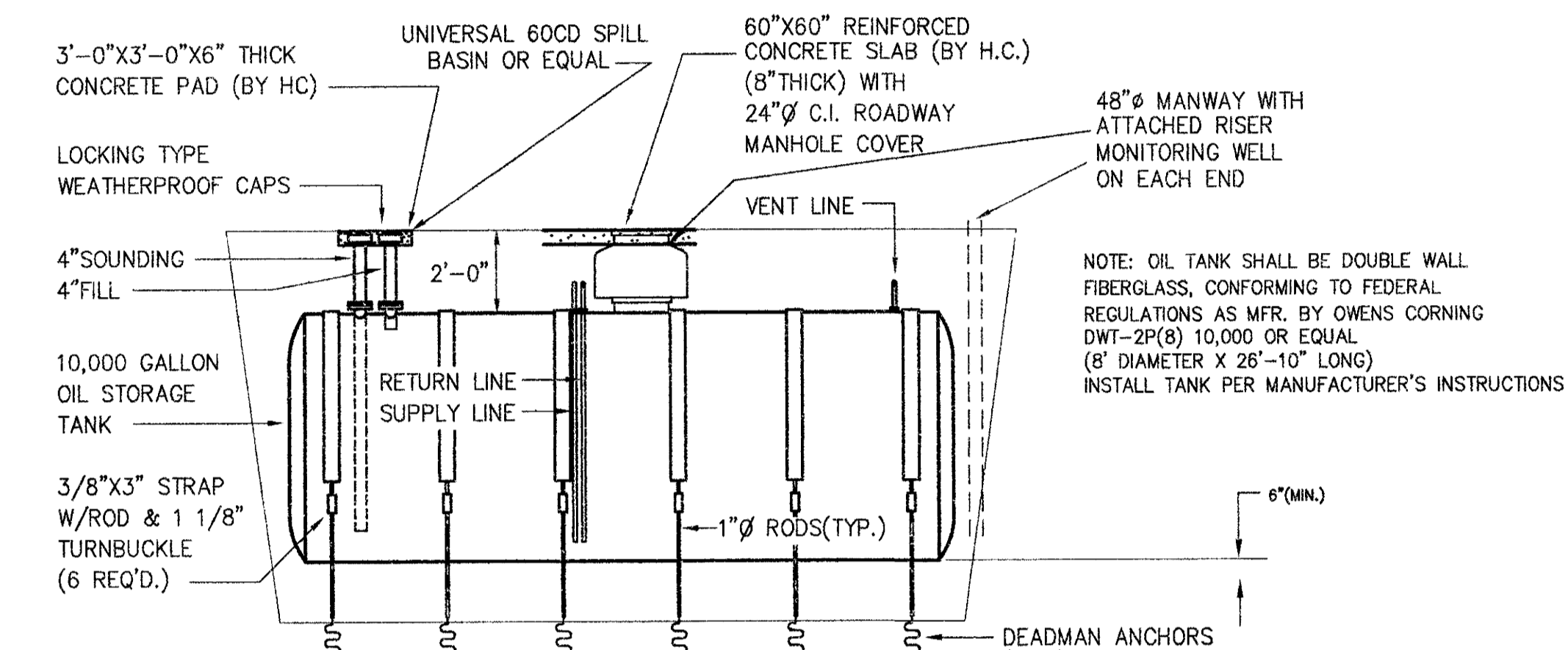


7 SECTION @ UNIT VENTILATOR
M-5 NTS

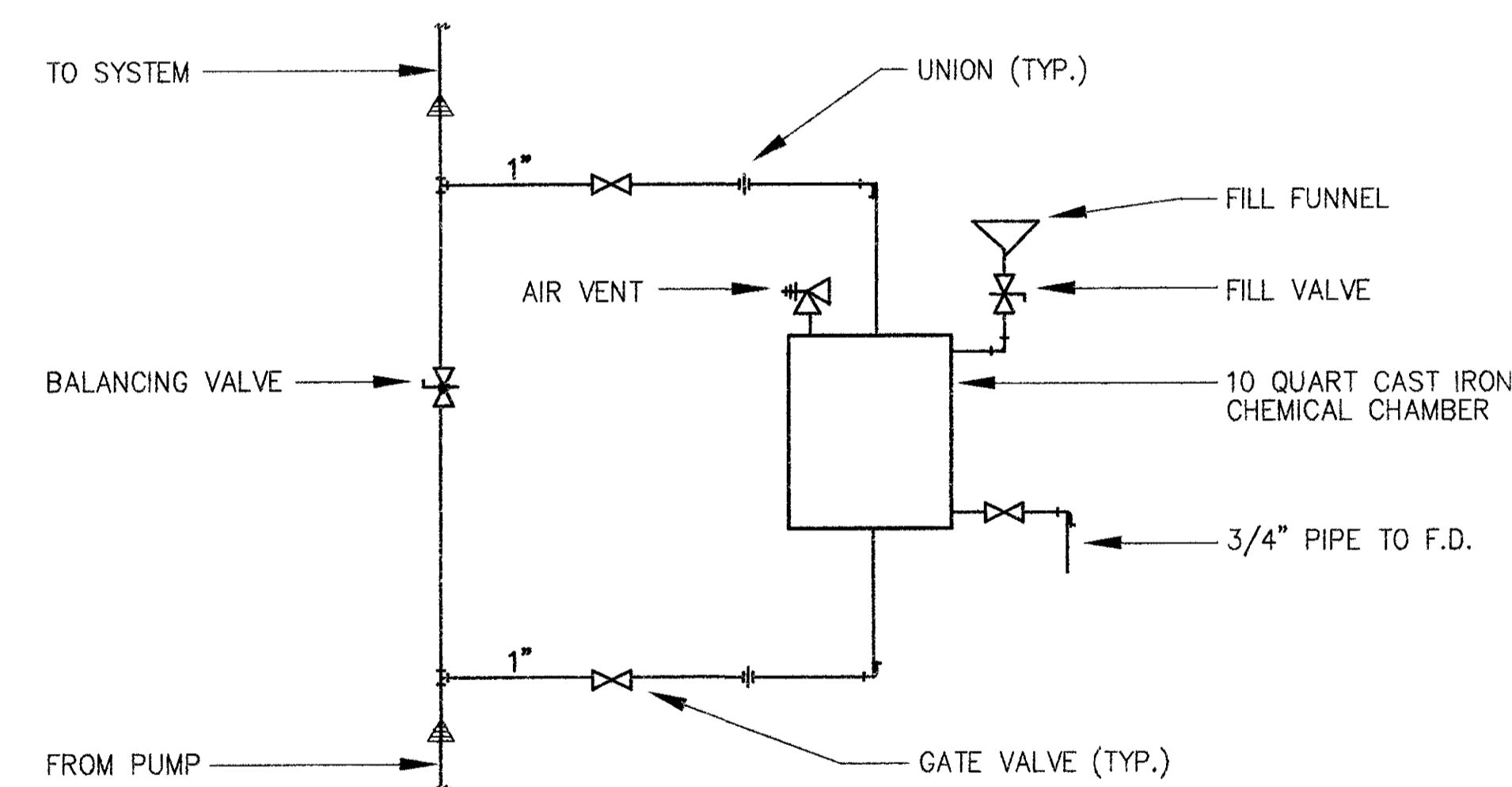


12 PRESSURIZATION & AIR ELIMINATION DETAIL
M-5 NO SCALE

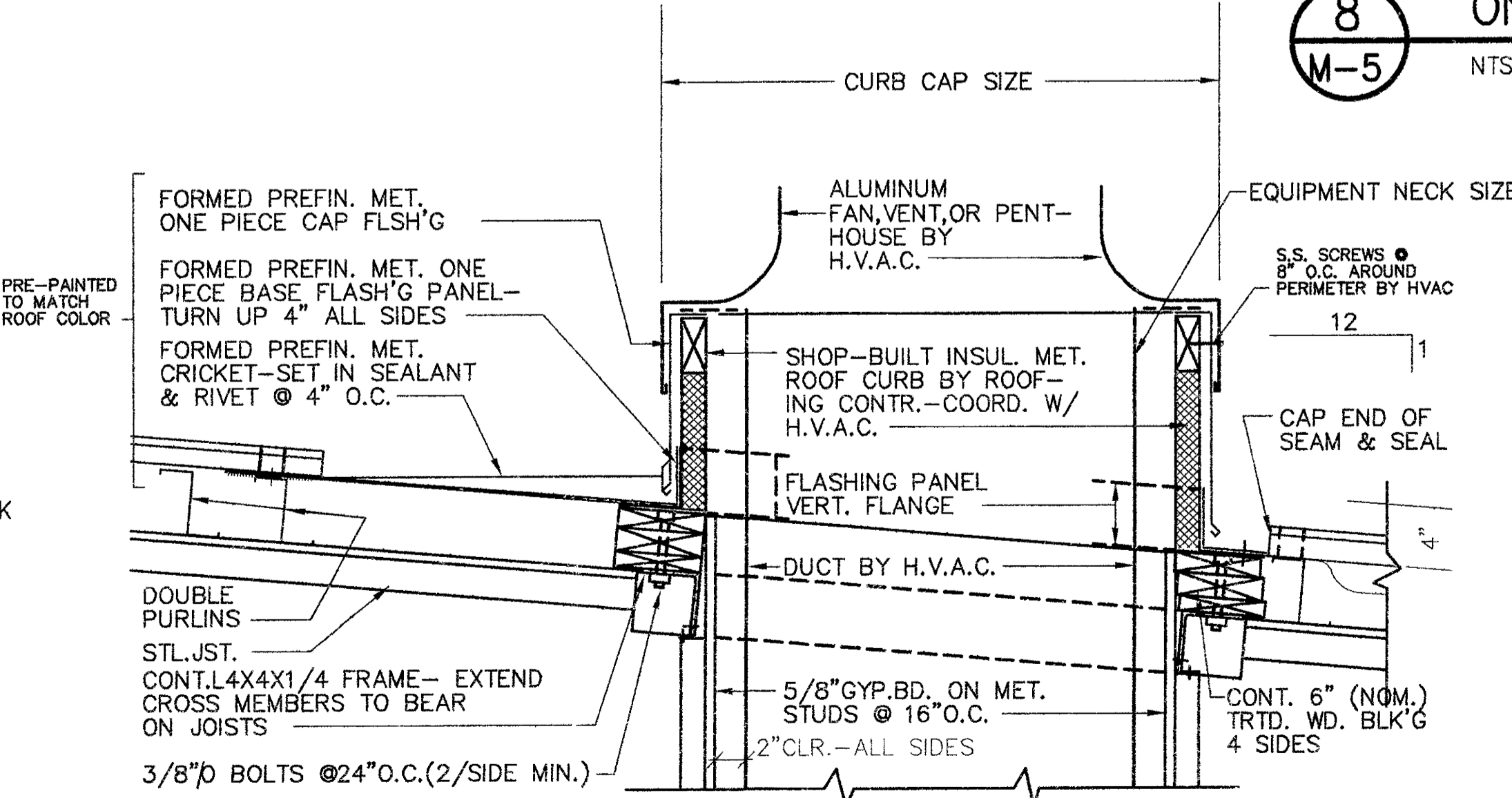
NOTE: PRV SET POINT = 12 PSIG



11 OIL STORAGE TANK DETAIL
M-5 NTS

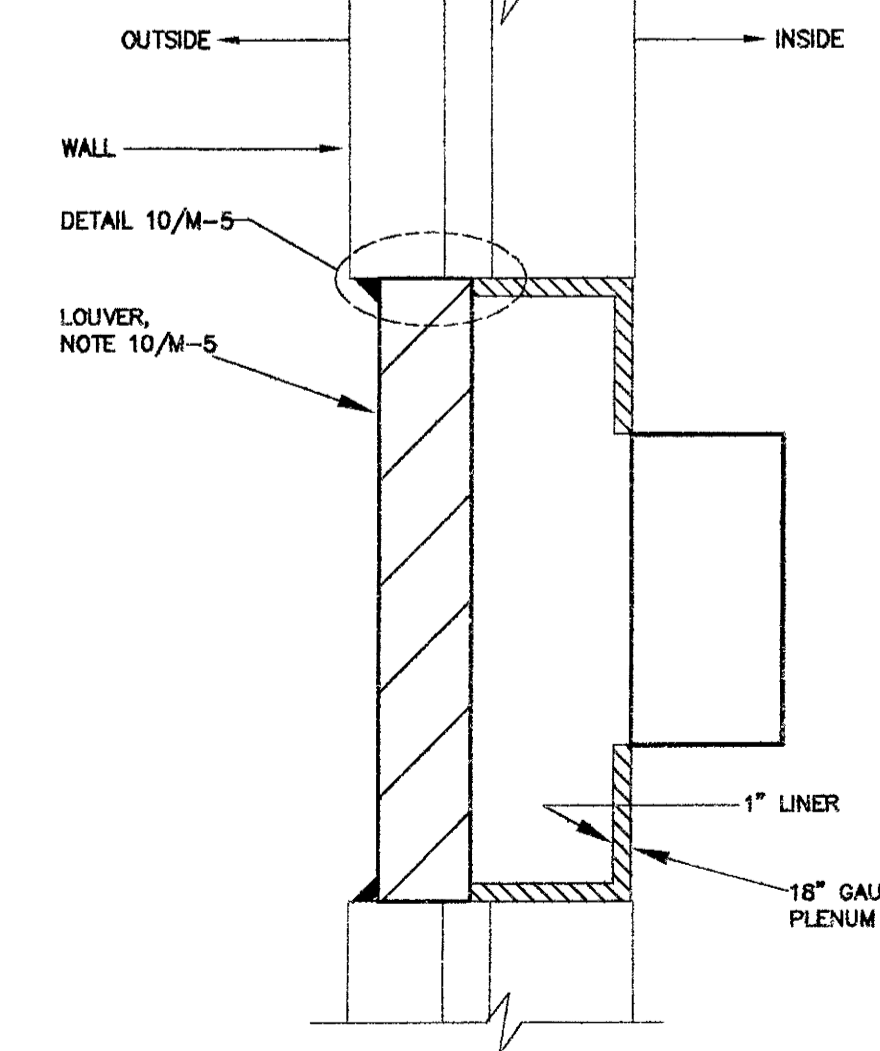


8 ONE SHOT CHEMICAL FEED DETAIL
M-5 NTS



3 EQUIPMENT CURB SECTION
M-5 1-1/2" = 1'-0"

NOTE: ALL EQUIP. IN THIS DETAIL IS BY CONTRACTORS OTHER THAN MECHANICAL UNLESS OTHERWISE NOTED SEE ARCH. PLANS FOR DETAILS



4 LOUVER & DAMPER MOUNTING DETAIL
M-5 NTS