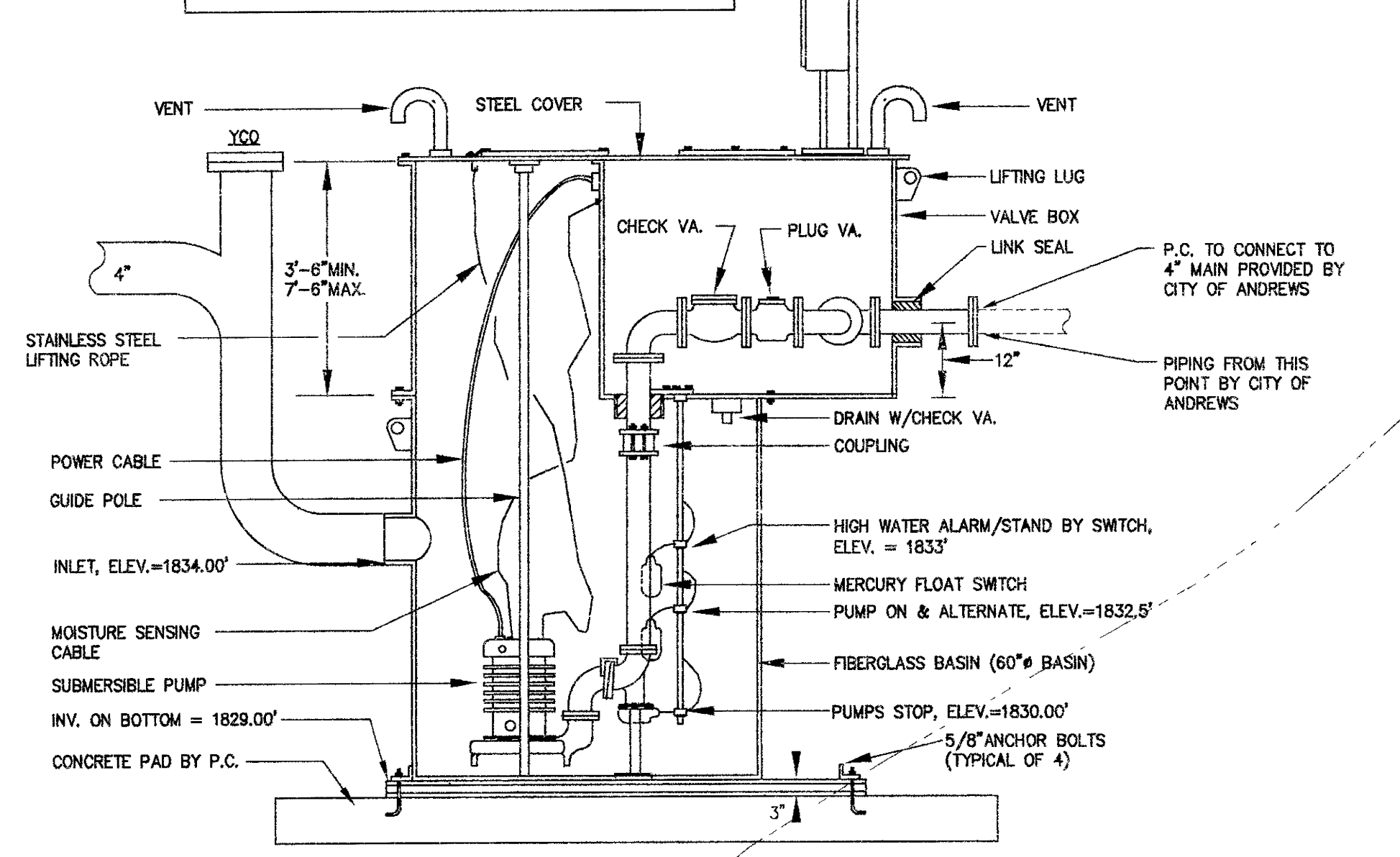
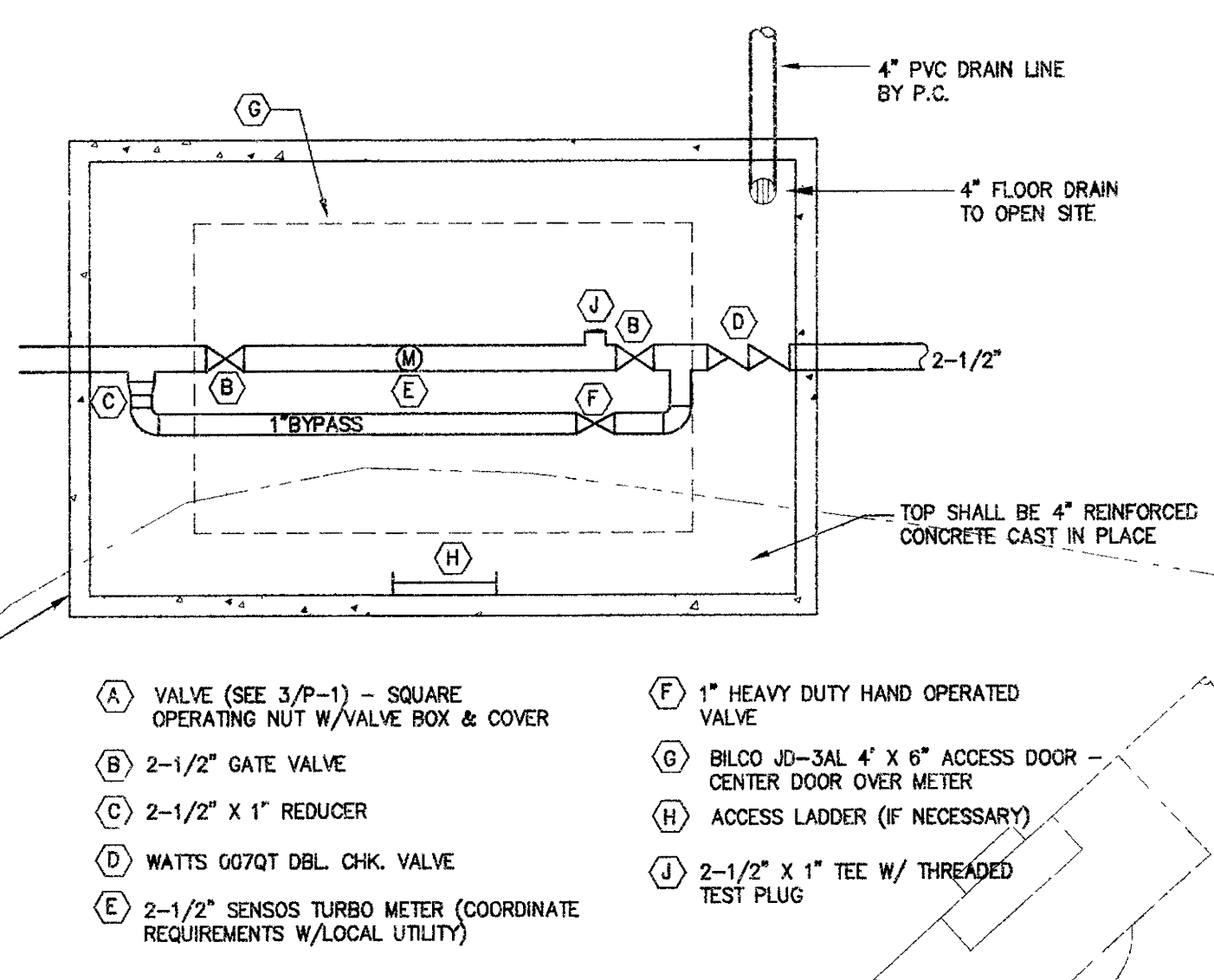


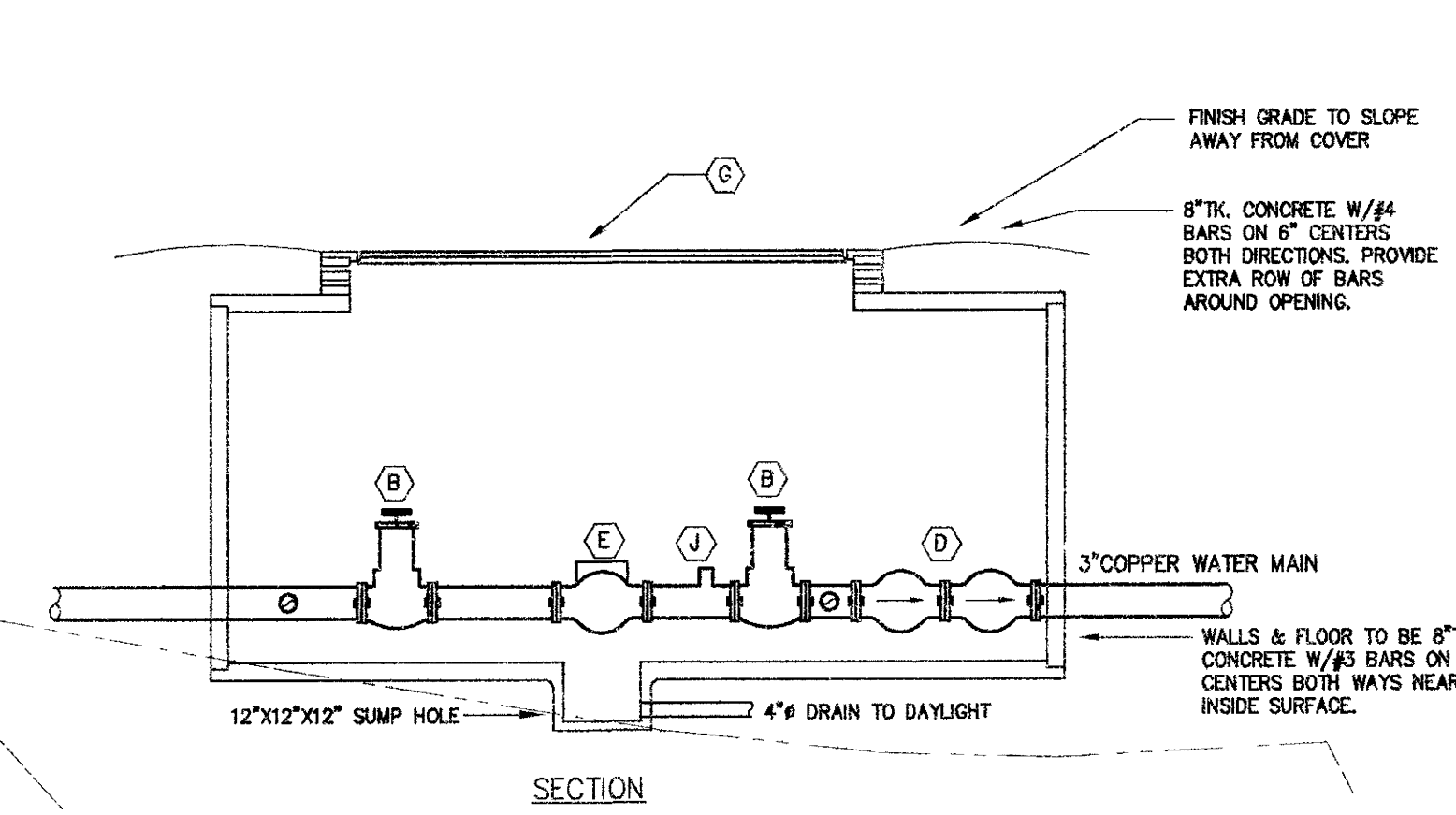
**LIFTSTATION**  
 WIEL-2613K1011 QUICK REMOVAL SYSTEM  
 W/MODEL 2516 GRINDER PUMPS,  
 85 GPM, 60 FT. HEAD, 5 HP, 3500  
 RPM, DUPLEX, 460V/3Ø



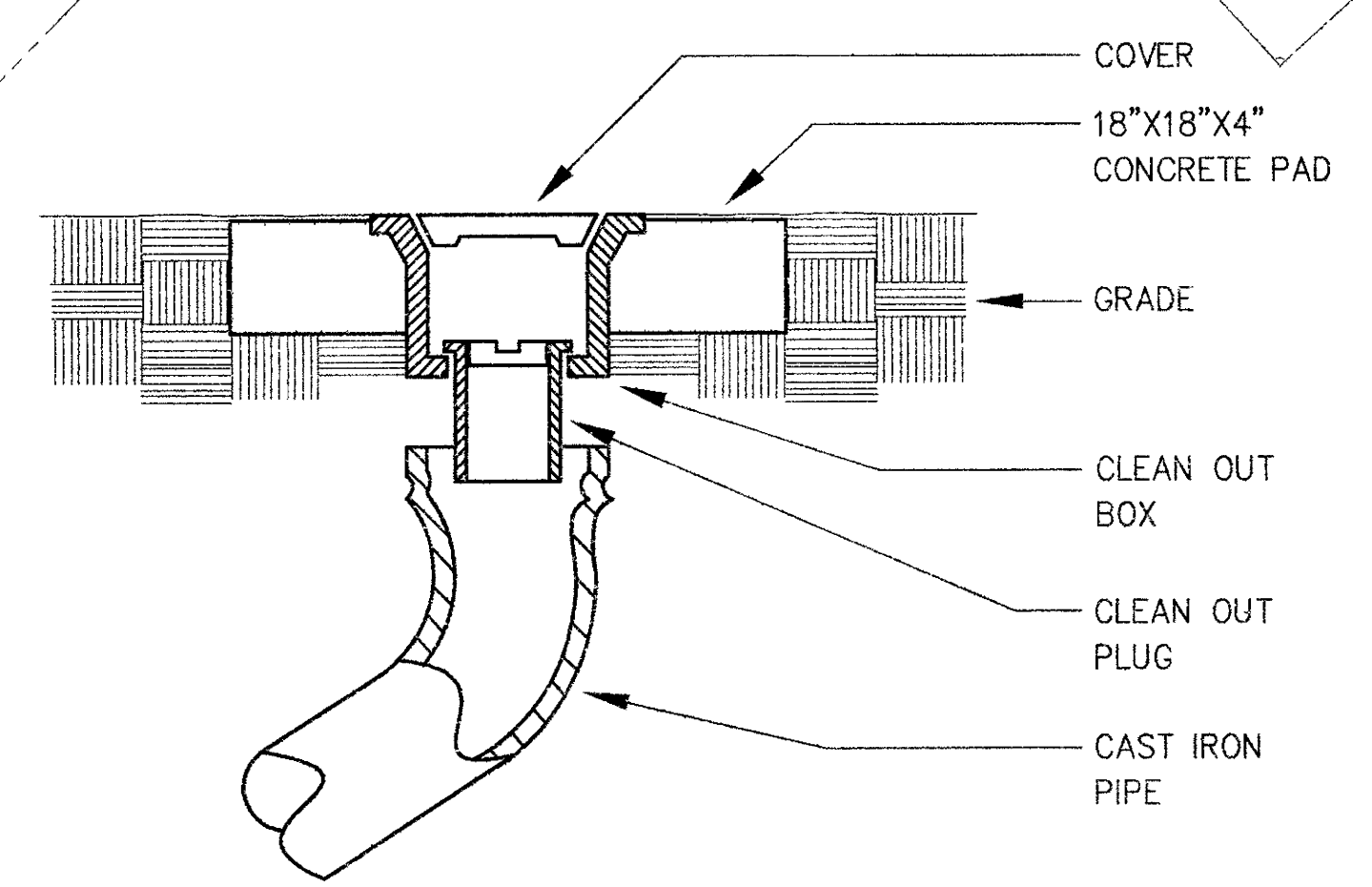
**2 SEWAGE LIFT STATION**  
 P-1 NTS



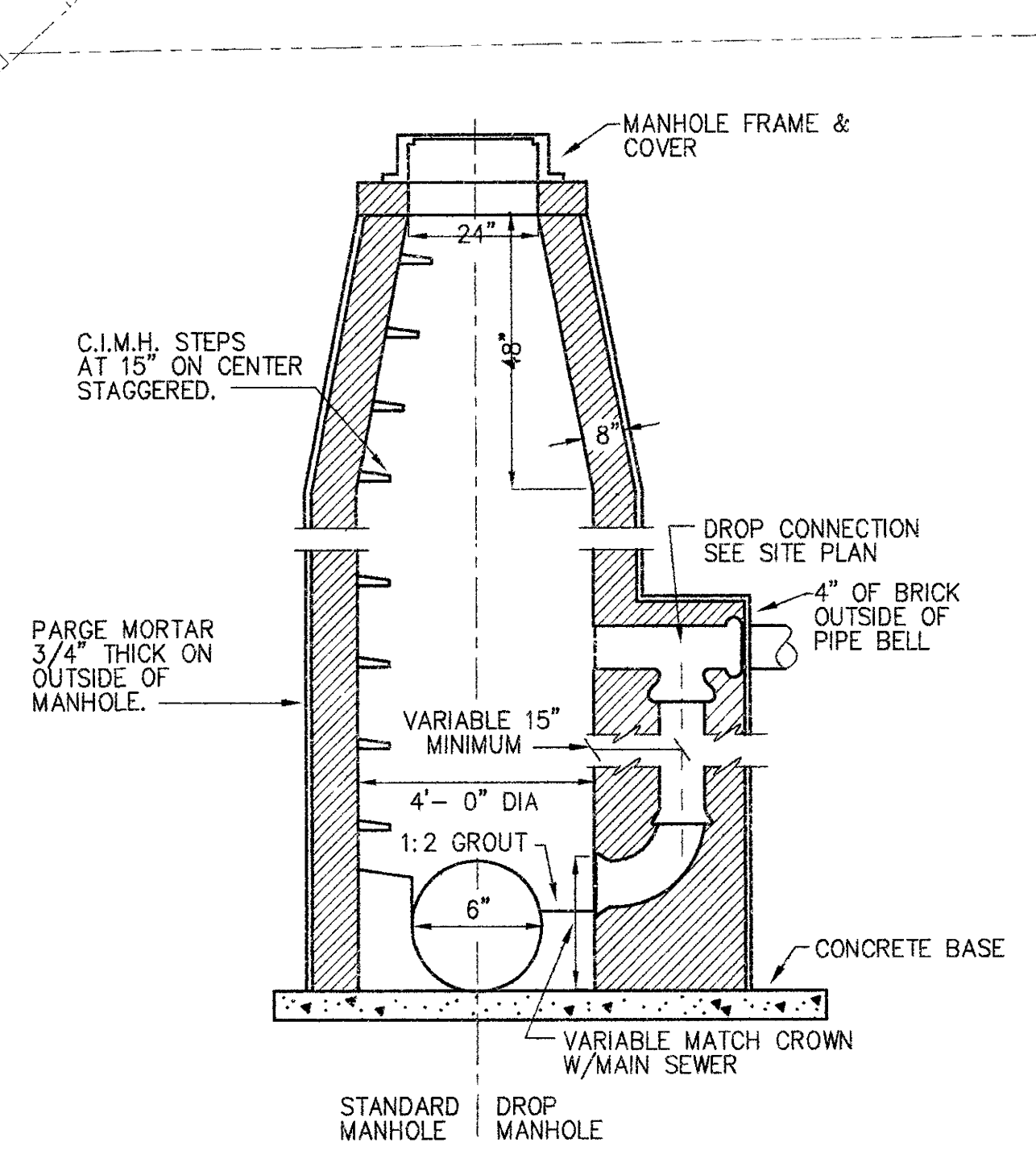
**7 METER PIT DETAIL**  
 P-1 NTS



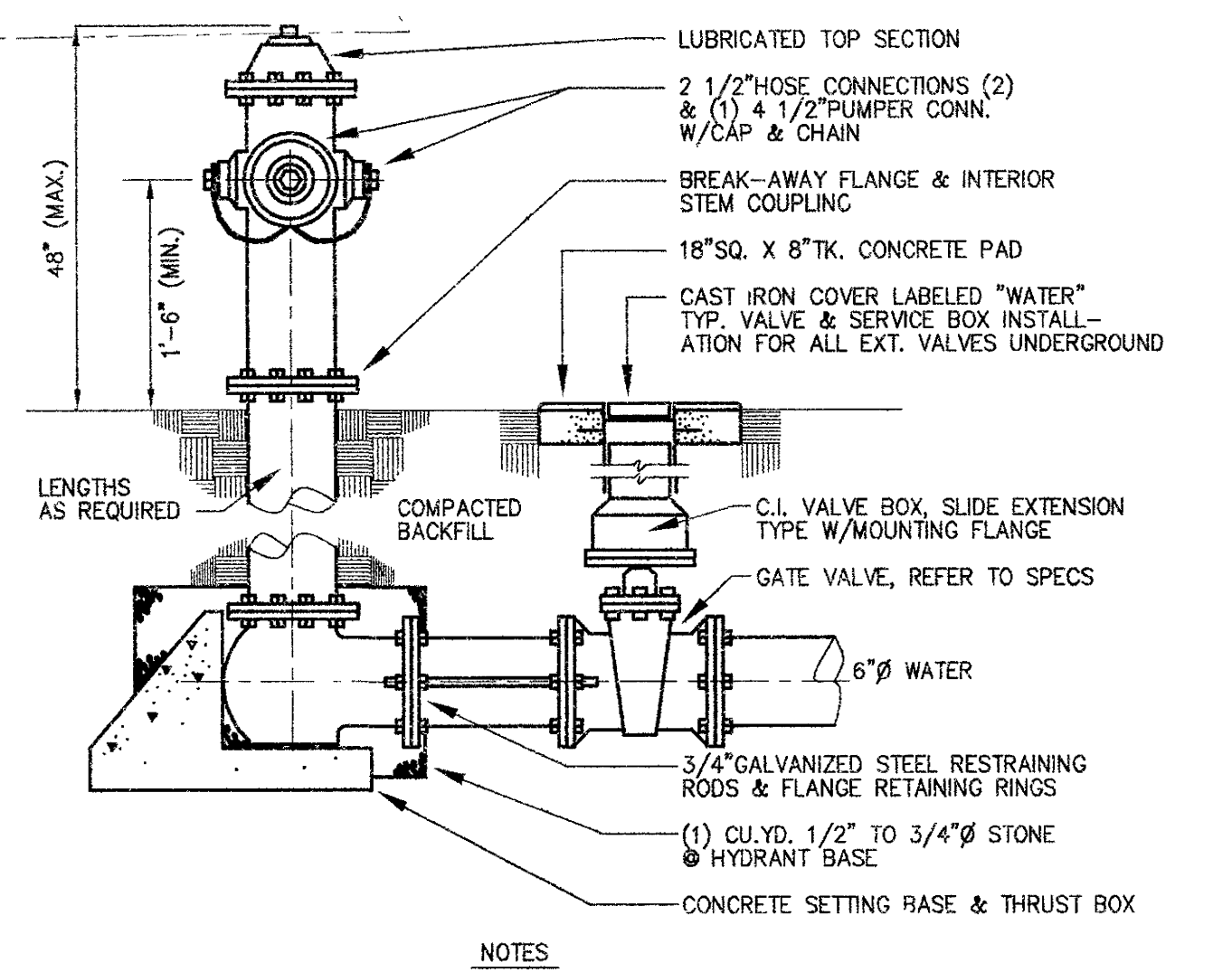
**3 TAP DETAIL**  
 P-1 NTS



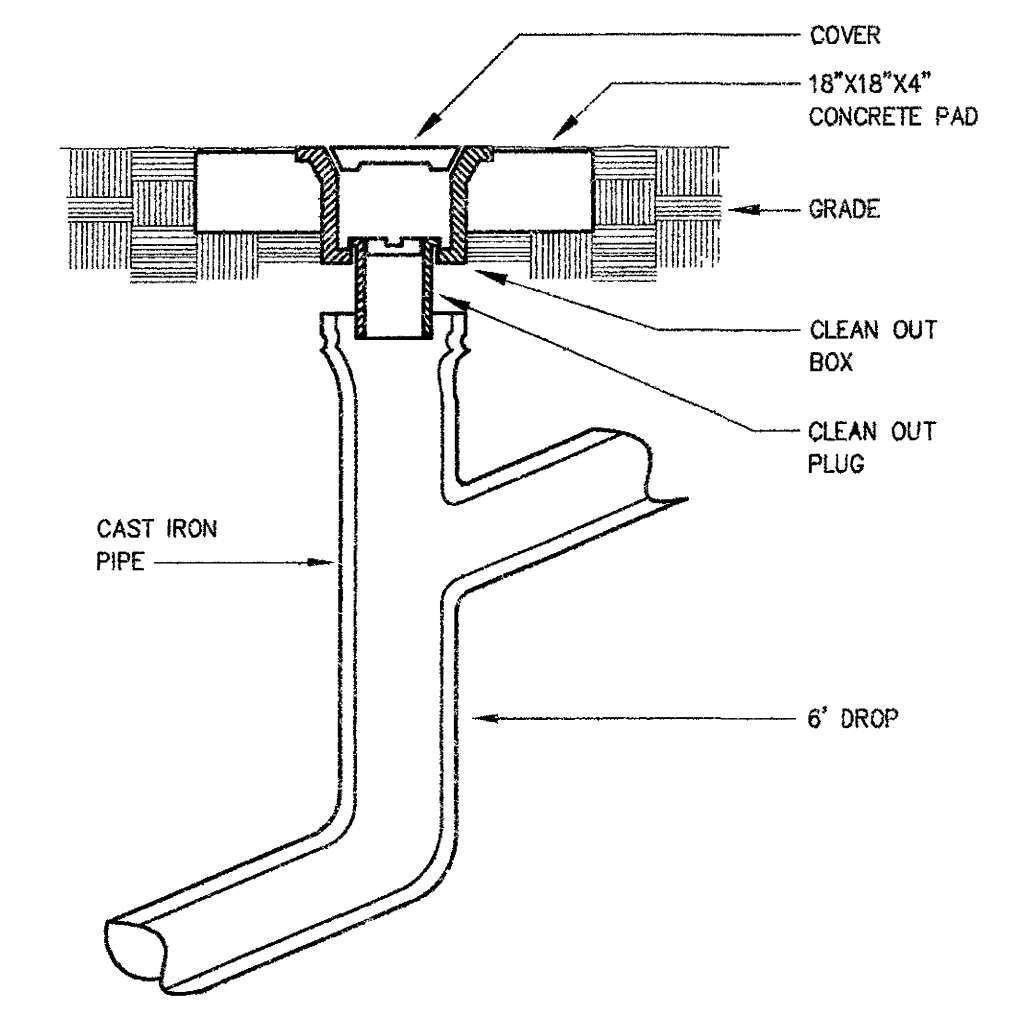
**4 YARD CLEANOUT DETAIL**  
 P-1 NTS



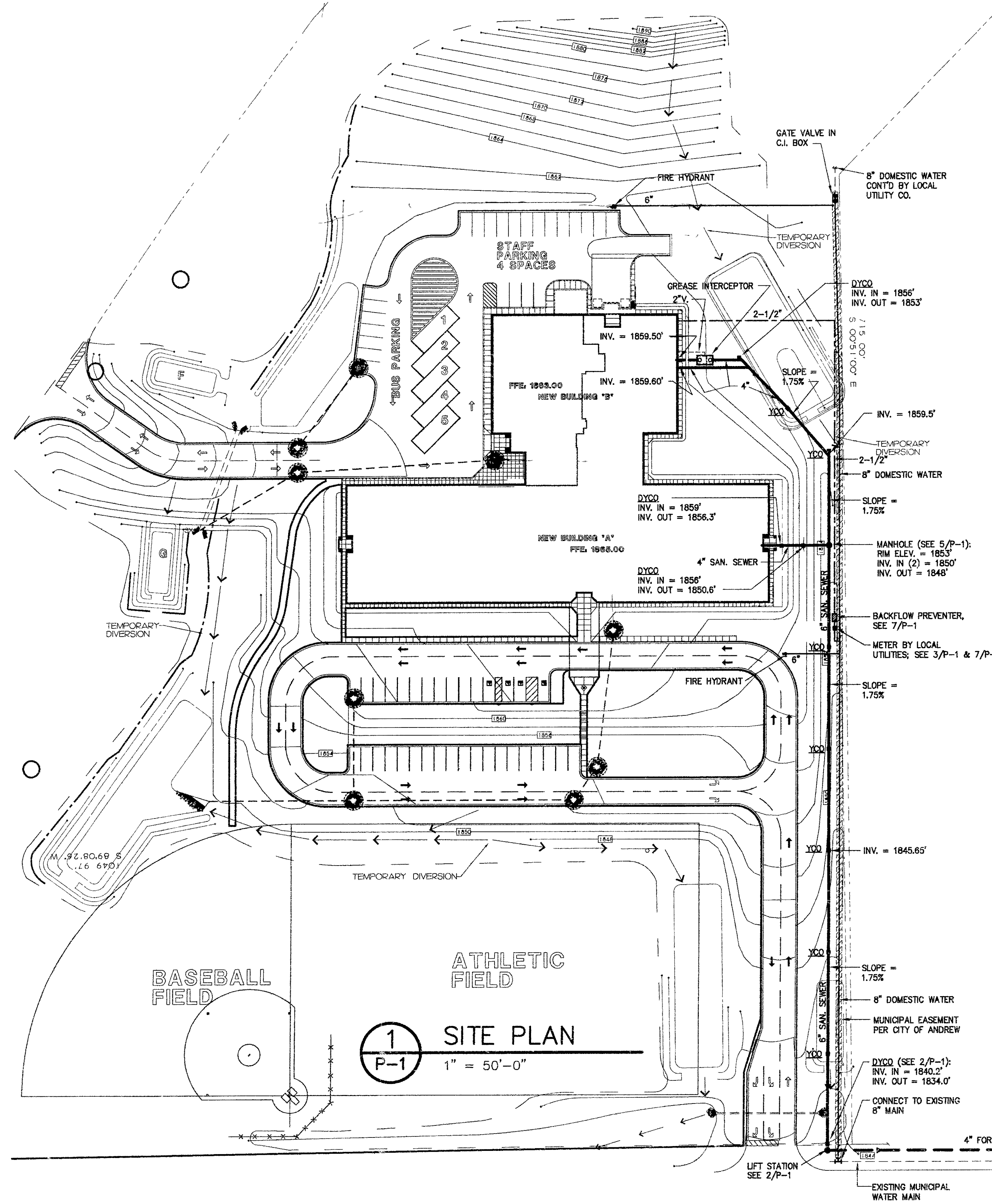
**5 MANHOLE DETAIL**  
 P-1 NTS



**6 FIRE HYDRANT DETAIL**  
 P-1 NTS



**7 YARD CLEANOUT DETAIL**  
 P-1 NTS



**1 SITE PLAN**  
 P-1 1" = 50'-0"