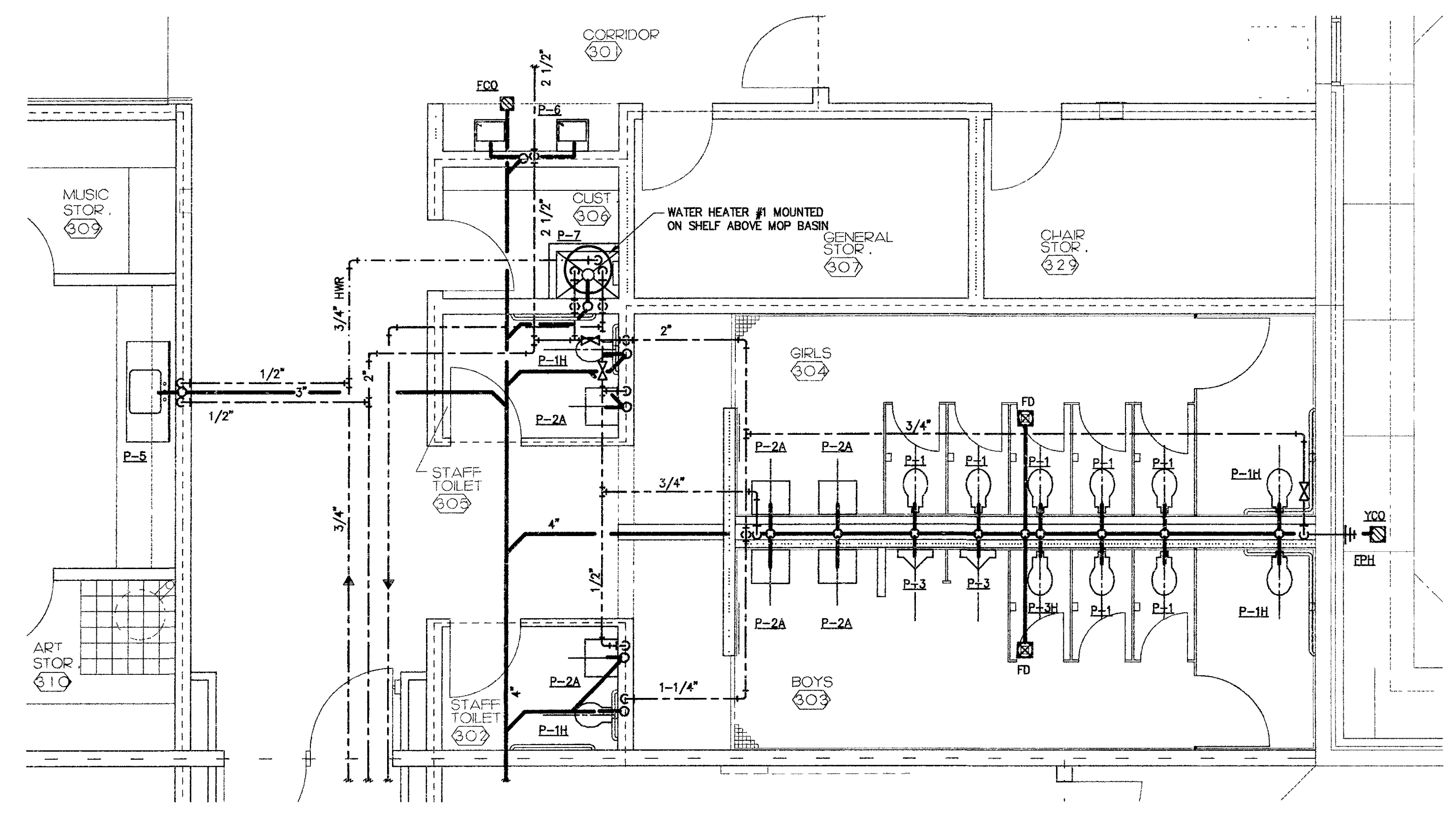
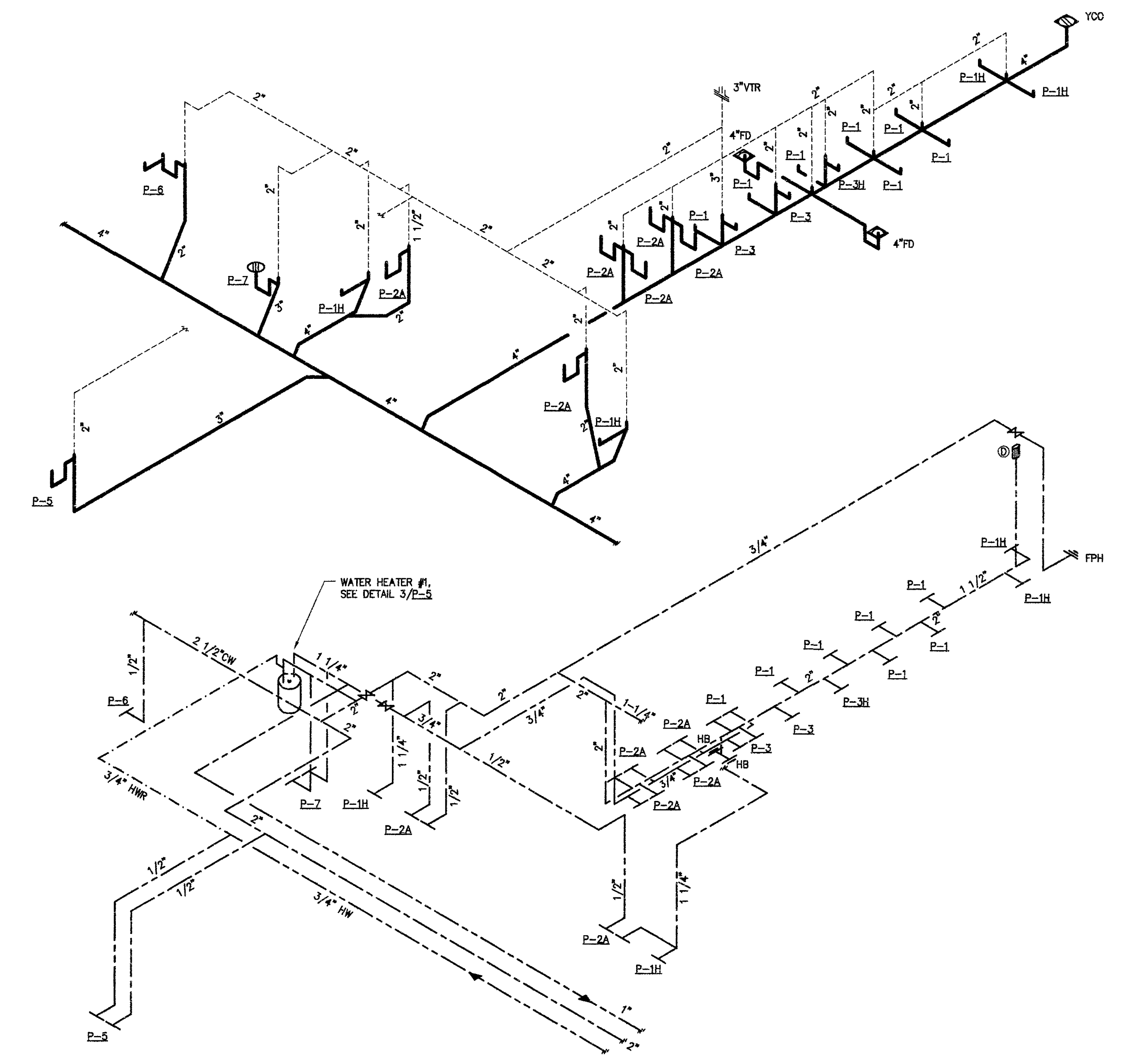


**1** FLOOR PLAN 'B'  
 P-3 1/8"=1'-0"



**2** BOYS/303 & GIRLS/304 TOILET  
 P-3 1/4"=1'-0"



**3** WASTE & WATER SCHEMATIC  
 BOYS/303 & GIRLS/304 TOILET  
 P-3 NTS

